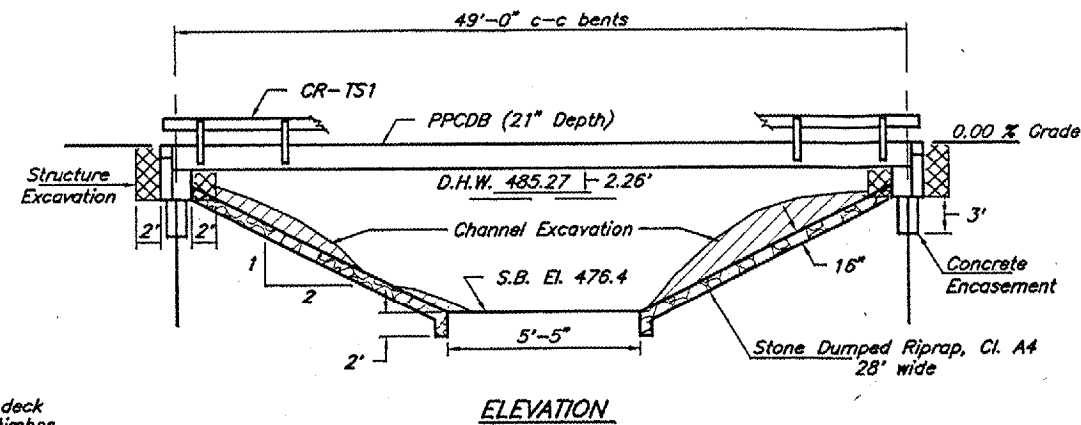
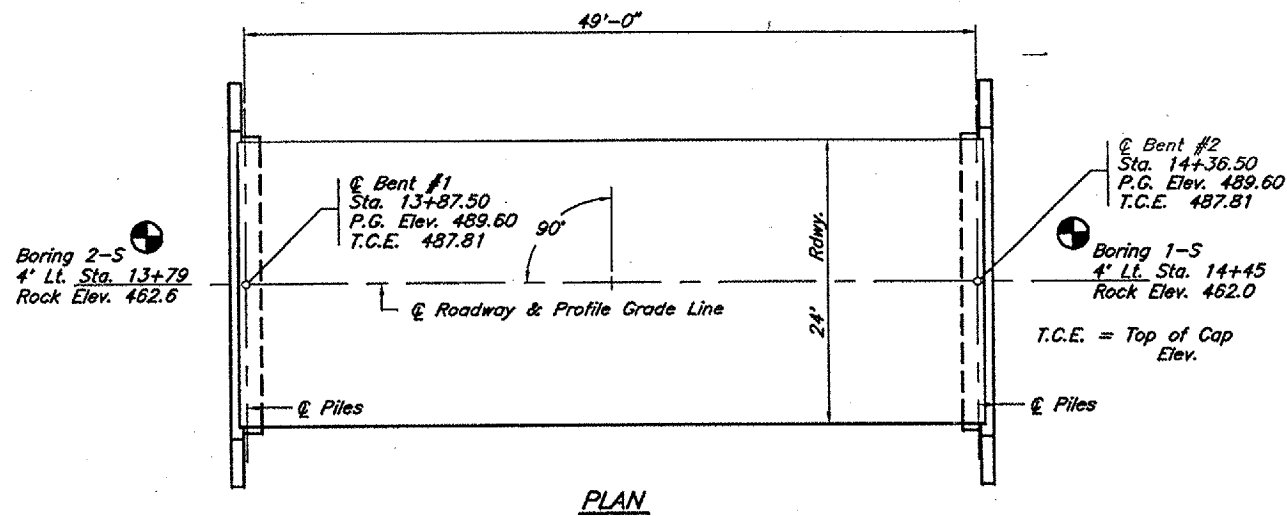


B.M. - Double nail in Power Pole
144' Rt. of Station 13+65
Elev. 493.00 (Assumed)

ROUTE	SECTION	COUNTY	TOTAL SHEETS	SHEET NO.
TR 45	01-01111-00-BR	JACKSON	12	4
PROJECT NO. BROS-077(52)			CONTRACT NO. 99310	



Existing Structure - Single span precast concrete deck beam bridge on timber pile bents with one timber and one concrete closed abutments. 30'L x 18.8'W



GENERAL NOTES

- Steel H piles shall meet AASHTO M270 Grade 50 specifications.
- See special provisions for boring logs.
- A Corrosion inhibitor, as covered in the Standard Specifications, shall be used in the precast prestressed concrete deck beams.

TOTAL BILL OF MATERIAL

Item	Unit	Super	Sub.		Total
			Piers	Abuts.	
Removal of Existing Structures	Each				1
Concrete Structures	Cu. Yds.			18.6	18.6
P.P. Conc. Dk. Bm. 21" Dp.	Sq. Ft.	1198			1198
Steel Railing, Type S1	Foot	100			100
Reinforcement Bars	Pound			2440	2440
Furnishing Steel Piles HP10X42	Foot			208	208
Driving Piles	Foot			208	208
Concrete Encasement	Cu. Yds.			2.1	2.1
Name Plates	Each			1	1
Structure Excavation	Cu. Yds.			37	37
Channel Excavation	Cu. Yds.			64	64
Stone Dumped Riprap, Class A4	Tons			140	140

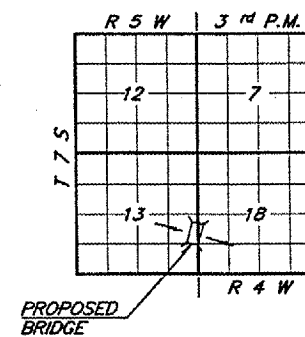
FILE DATA (2-ABUTS.)

Type & Size : HP10X42
Nominal Required Bearing : 74 kips
Allowable Resistance Available : 222 kips
Estimated Length : 26 Feet
Number Required : 8

COX CREEK
SEC. 01-01111-00-BR BUILT 20____
BRADLEY TOWNSHIP
JACKSON COUNTY
LOADING HS20
STR. NO. 039-3243

LETTERING FOR NAME PLATE

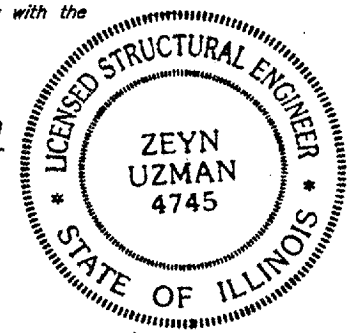
Locate Name Plate at Southeast Corner of Bridge (See Std. CN)



LOCATION SKETCH

I certify that to the best of my knowledge, information and belief, the revised standard detail sheets and/or special component sheets included with the standard bridge detail sheets are structurally adequate for the design loading shown on the plans and comply with the requirements of the current AASHTO Standard Specifications for Highway Bridges.

Zeyn B. Uzman
Zeyn B. Uzman
S.E. #81-4745
Expires Nov. 30, 2008



DESIGN SPECIFICATIONS

2002 AASHTO Standard Specifications - 17th ed.

LOADING HS20-44

Allow 25#/sq. ft. for future wearing surface

SEISMIC DATA

Seismic Performance Category (SPC) = B
Bedrock Acceleration Coefficient (A) = 13.3%
Site Coefficient (S) = 1.0

WATERWAY INFORMATION

		Drainage Area = 1.758 Sq. Mi.		Low Grade Elev. = 489.60		At Sta. 14+12			
Flood	Freq. Yr.	Q C.F.S.	Opening Sq. Ft. Exist. Prop.	Natural H.W.E.* Exist. Prop.	Head-Ft. Exist. Prop.	Headwater El. Exist. Prop.			
Design	15	1165	219.5 205.4	485.68 485.27	0.00 0.00	485.68 485.27			
Base	100	1890	272.1 291.7	487.62 487.21	0.00 0.00	487.62 487.21			
Overtopping									
Max. Calc.	500	2491	307.6 306.9	488.93 488.52	0.00 0.00	488.93 488.52			

*Note: Proposed structure located 86' downstream from existing structure

GENERAL PLAN & ELEVATION
TOWNSHIP ROUTE 45
COX CREEK
SECTION 01-01111-00-BR
JACKSON COUNTY