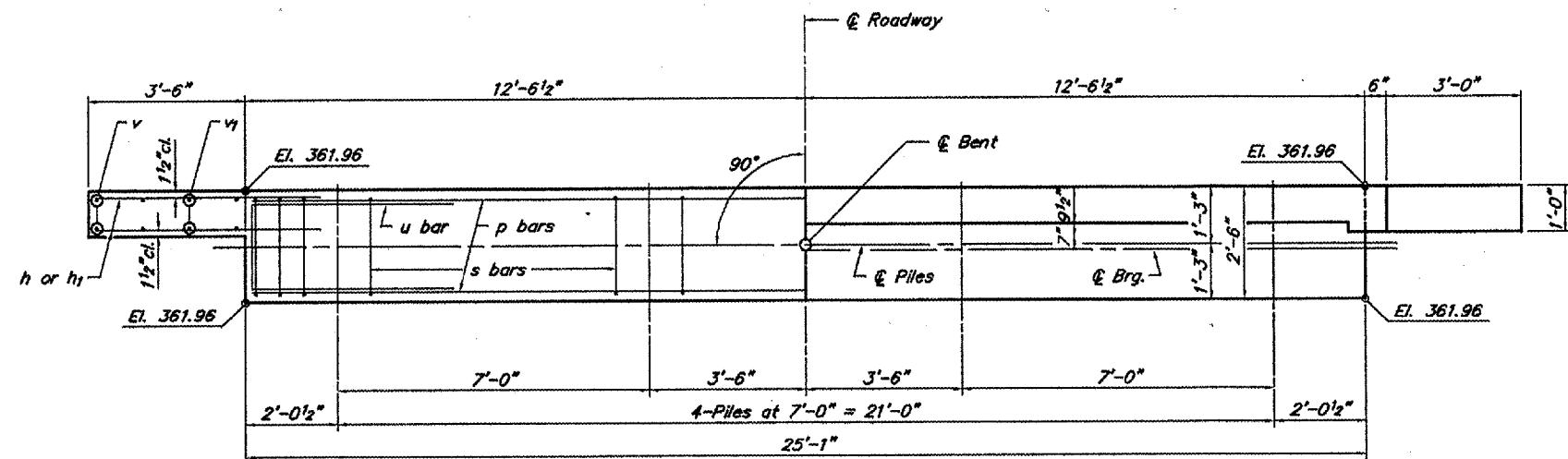
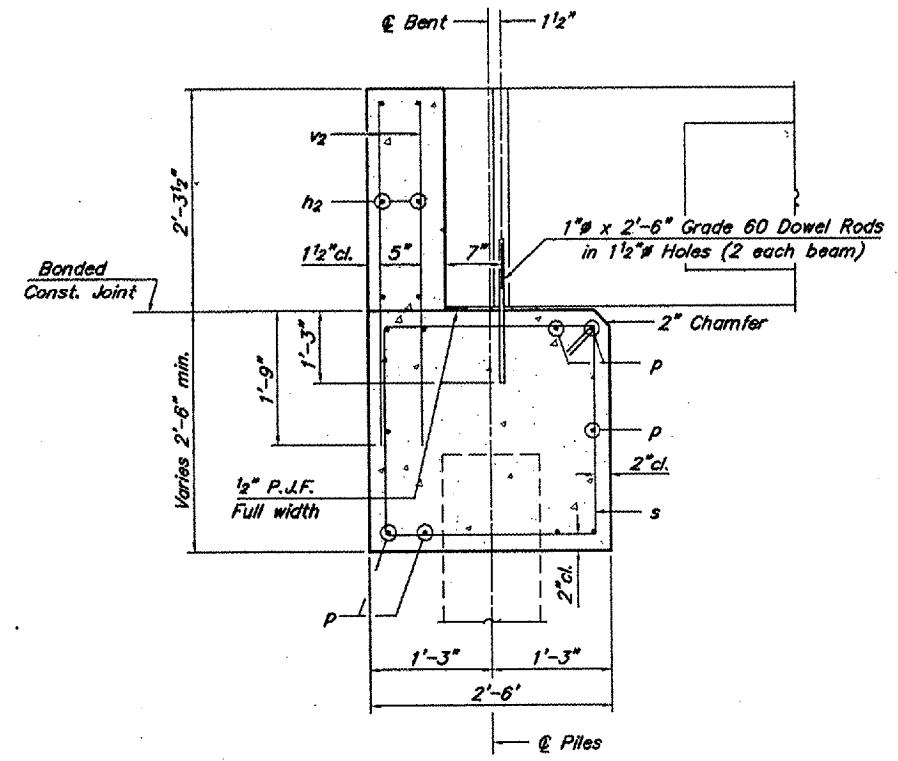


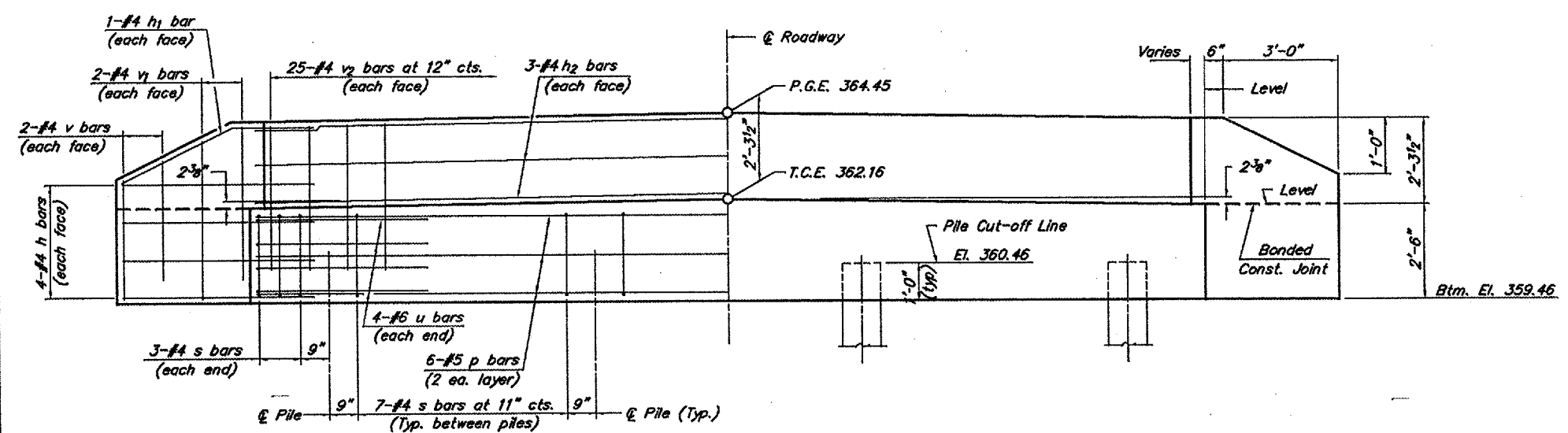
ROUTE	SECTION	COUNTY	TOTAL SHEETS	SHEET NO.
TR 39	06-01159-00-BR	ALEXANDER	10	6
PROJECT NO. BROS-003(13)		CONTRACT NO. 99320		



PLAN



SECTION THRU ABUT.  
(At Right Angles)



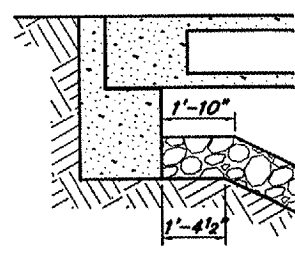
ELEVATION

**BILL OF MATERIAL FOR ONE ABUTMENT**

Bar	No.	Size	Length	Shape
h	16	#4	5'-0"	—
h1	4	#4	5'-0"	—
h2	6	#4	24'-9"	—
p	10	#7	24'-9"	—
s	27	#4	9'-5"	□
u	8	#6	11'-1"	—
v	8	#4	3'-8"	—
v1	8	#4	4'-4"	—
v2	50	#4	3'-11"	—
Concrete Structures			8.9	Cu. Yds.
Reinforcement Bars			1150	Lbs.

**NOTES**

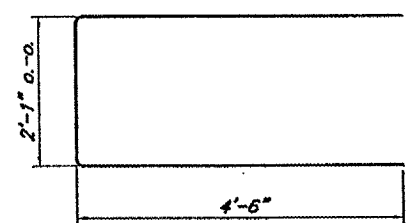
- The Backwall and the portion of the Wingwalls above the bonded construction joint shall be cast against the in-place beam.
- Reinforcement bars shall conform to A.A.S.H.T.O. M-31 or M-322, Grade 60.



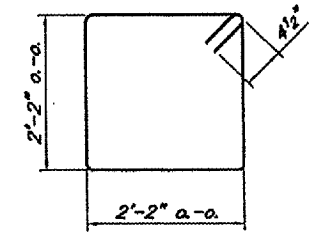
BERM DETAIL

**DESIGN STRESSES**

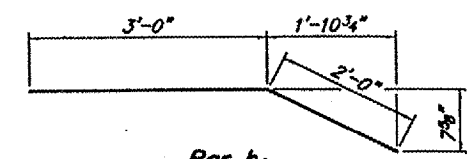
$f_c = 3,500 \text{ psi}$   
 $f_y = 60,000 \text{ psi}$



Bar u



Bar s



Bar h1

ABUTMENTS  
HARTLINE CREEK  
SECTION 06-01159-00-BR  
ALEXANDER COUNTY