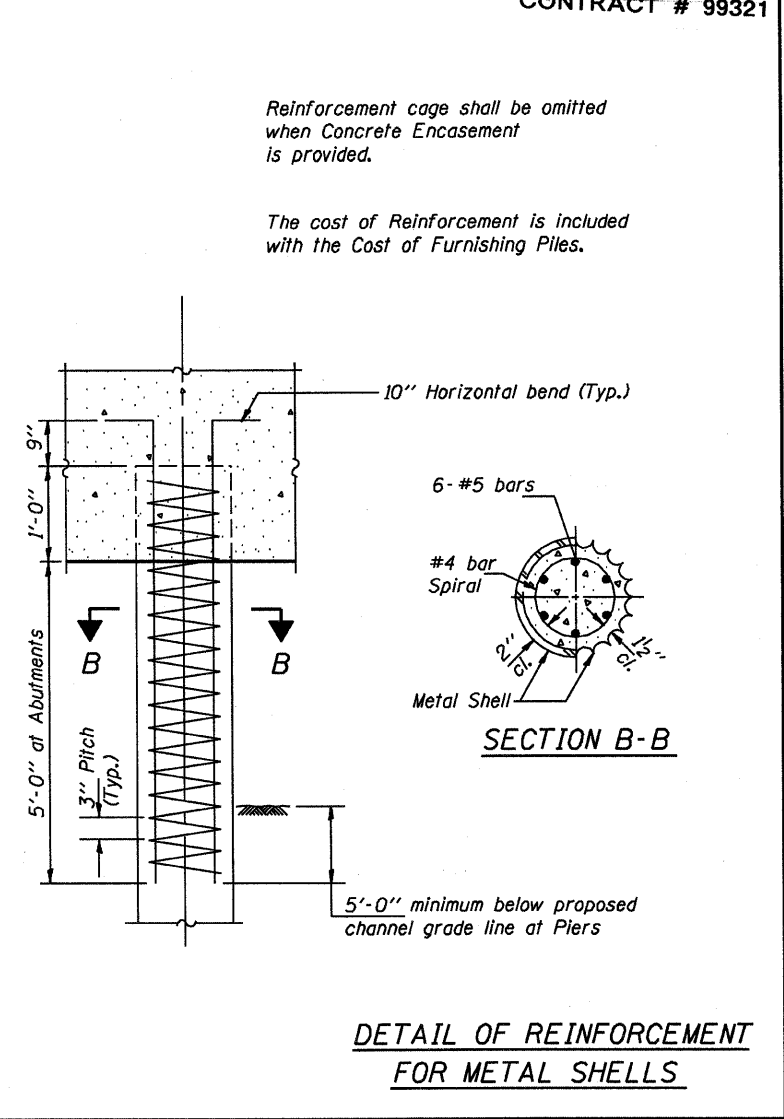
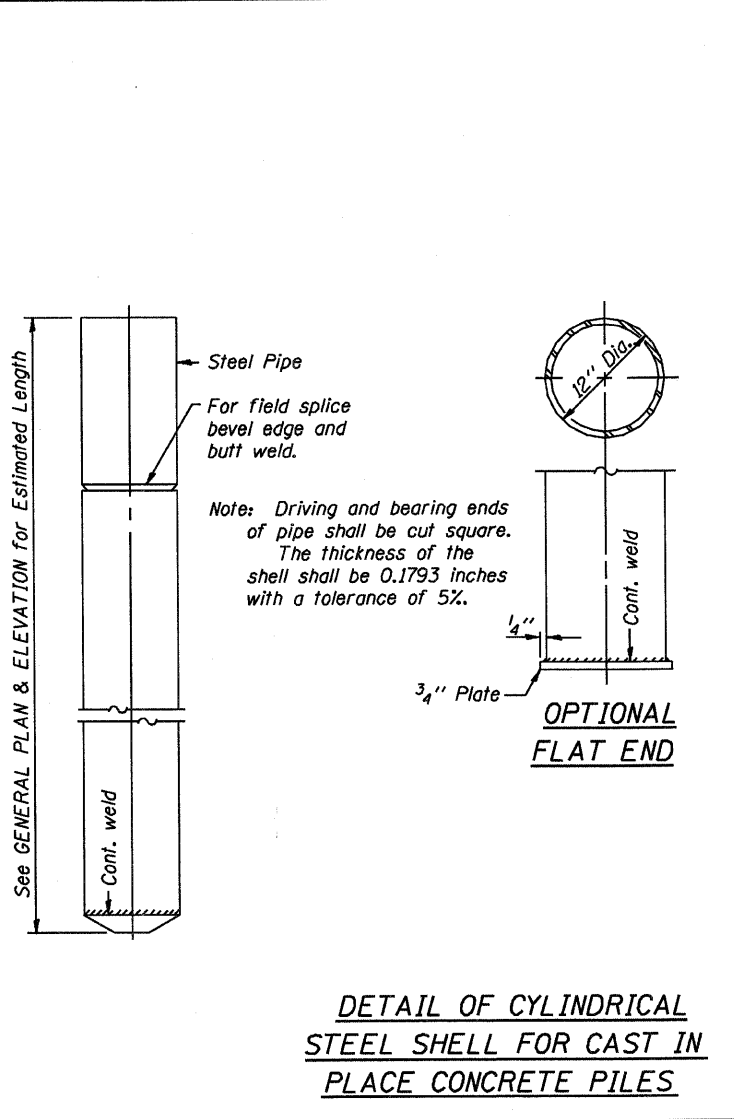
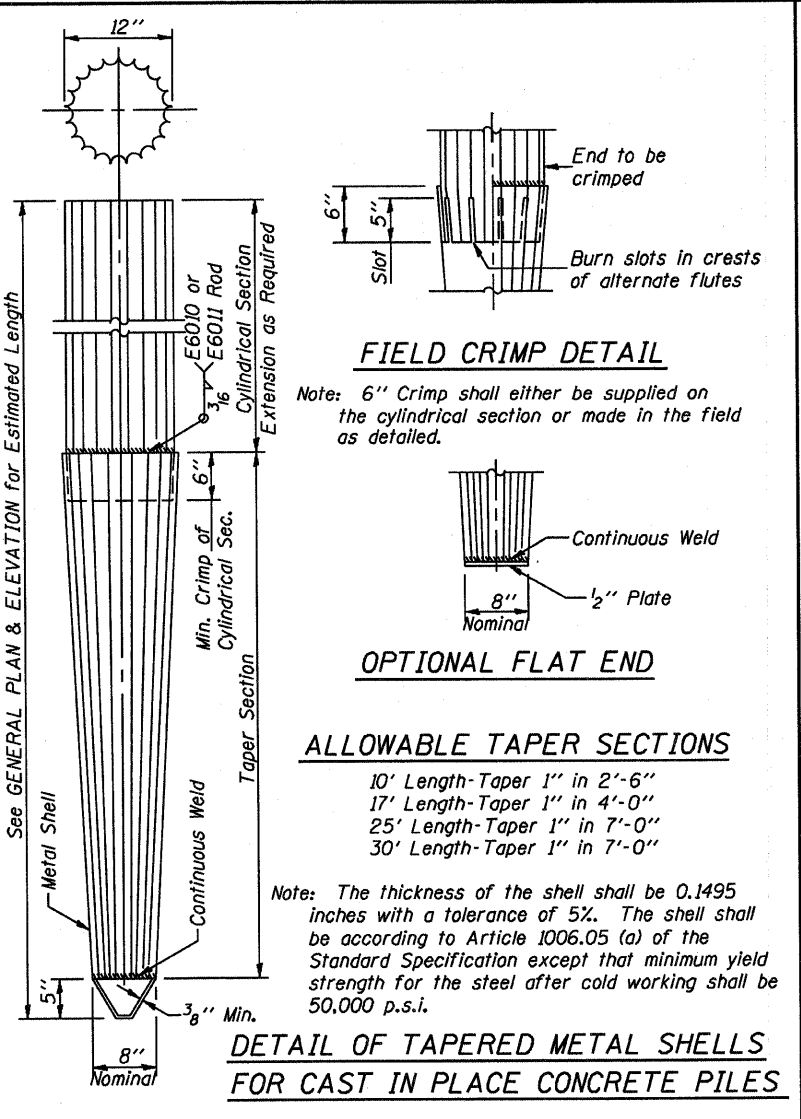


Handling: For Pile lengths up to 45' use two slings placed at a distance of 0.21L from each end. For Piles longer than 45', use three slings placed at a distance of 0.12L from each end and at mid point of pile.

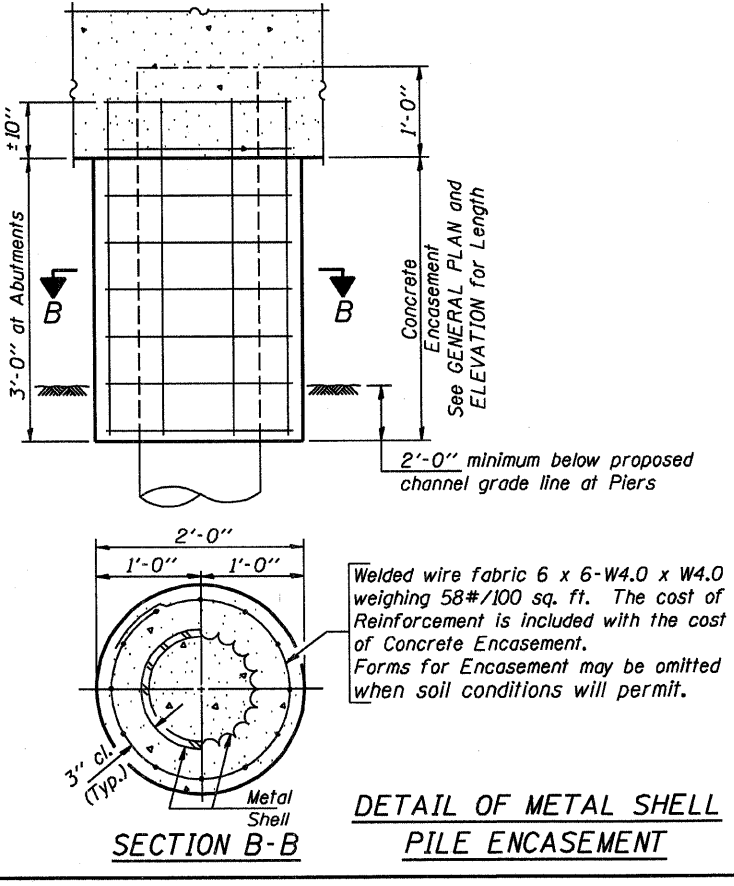
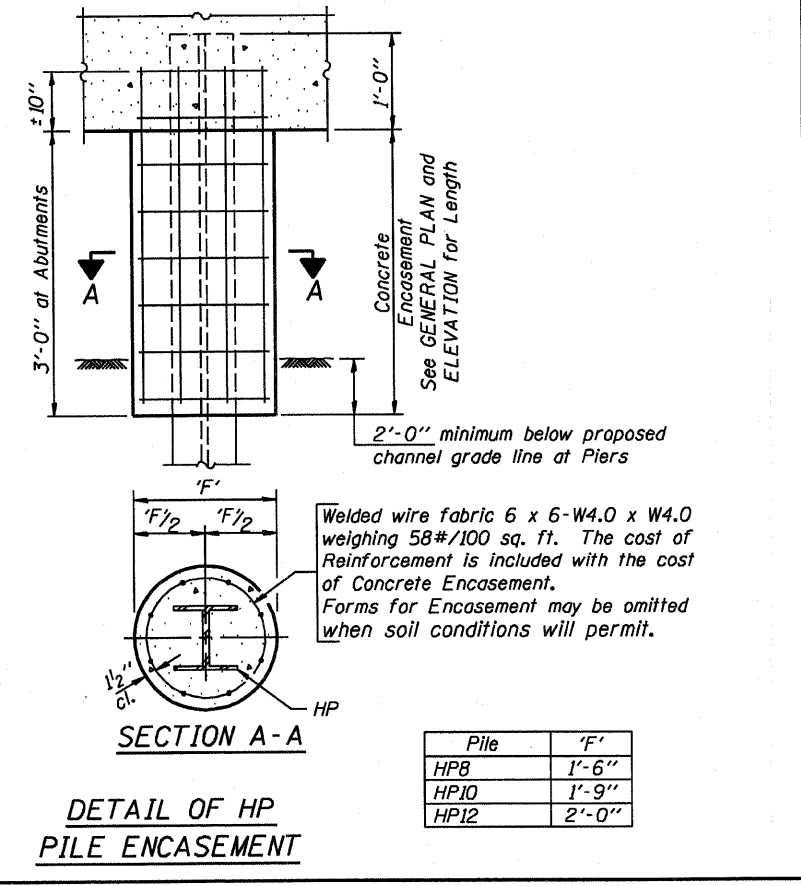


Illinois Department of Transportation

PASSED FEBRUARY 1, 2000
Thomas J. Domagala
Engineer of Bridge Design

APPROVED FEBRUARY 1, 2000
Ralph E. Anderson
Engineer of Bridges and Structures

1865-H CEN/SS



QUANTITIES/FT. OF ENCASEMENT (STEEL PILES)

Pile Size	Item	Quantity
HP8	Concrete Encasement	0.063 C.Y.
HP10	Concrete Encasement	0.086 C.Y.
HP12	Concrete Encasement	0.112 C.Y.

(METAL SHELL PILES)

Pile Size	Item	Quantity
12" Dia.	Concrete Encasement	0.087 C.Y.

PILE DETAILS

STANDARD CX-1