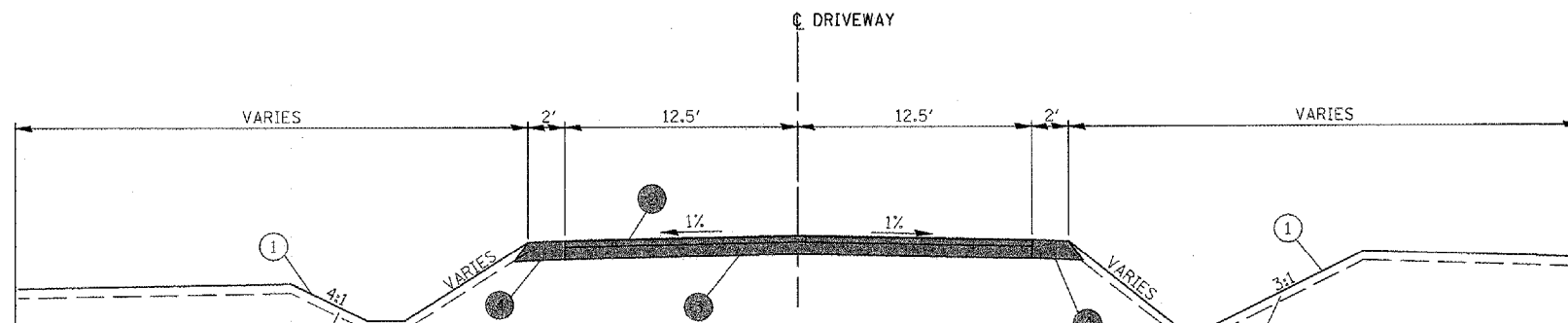


DRIVEWAY'S TYPICAL
 STA. 30+51.30 TO STA. 30+78.85
 POT PYOTT STA. 14+59.26 = DRIVEWAY STA. 31+00
 STA. 40+19.23 TO STA. 41+02.22
 POT PYOTT STA. 16+52.55 = DRIVEWAY 41+27.99
 (FOR INFORMATION ONLY NOT PART OF PHASE 1)



ATHANS DRIVEWAY
 STA. 60+12.20 TO STA. 61+36.28
 POT ATHANS STA. 62+06.18 = PYOTT STA. 39+28.24

NOTES:

- SEE IDOT DRIVEWAY DETAILS (DISTANCE BETWEEN ROW AND FACE OF CURB < 4.5 M (15')) FOR ADDITIONAL INFORMATION ON DRIVEWAY LAYOUT AND PAVING.

PROPOSED LEGEND

- ① PROPOSED GROUND
- HOT-MIX ASPHALT SURFACE COURSE, MIX "C", N50, 2", FOR INFORMATION ONLY
- HOT-MIX ASPHALT BASE COURSE, 8", FOR INFORMATION ONLY
- AGGREGATE SHOULDERS, TYPE B, 8", FOR INFORMATION ONLY
- ⑤ TOPSOIL AND SEEDING

Hanson Professional Services Inc.
 Suite 200, 815 Commerce Drive
 Oak Brook, Illinois 60523
 © Copyright Hanson Professional Services Inc. 2008



FILE NAME =	USER NAME = blair0219	DESIGNED - DSY	REVISED -	VILLAGE OF LAKE IN THE HILLS, ILLINOIS	PROPOSED TYPICAL SECTIONS ATHANS AND ENTRANCE DRIVEWAYS	COUNTY	TOTAL SHEETS	SHEET NO.
I:\05Jobs\00841\0508021\Civil Part A\Sheet\NC-502TYP7.dwg	DRAWN - DSY	REVISED -	MCHENRY			120	12	
PLOT SCALE = 2.0000 "/td> <td>CHECKED - BLB</td> <td>REVISED -</td> <td>FEDERAL AIP NO. 3-17-012-88</td> <td>ILLINOIS</td> <td>IDA NO. 30K-3671</td>	CHECKED - BLB	REVISED -	FEDERAL AIP NO. 3-17-012-88			ILLINOIS	IDA NO. 30K-3671	
PLOT DATE = 02/27/2008, 08:44 AM	DATE - 02/29/08	REVISED -						