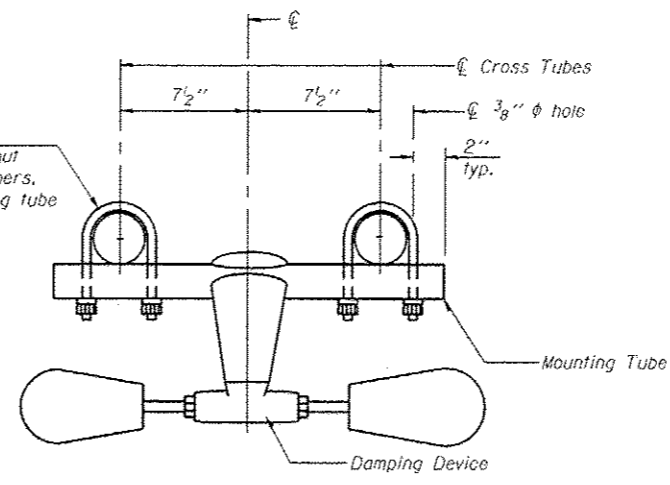
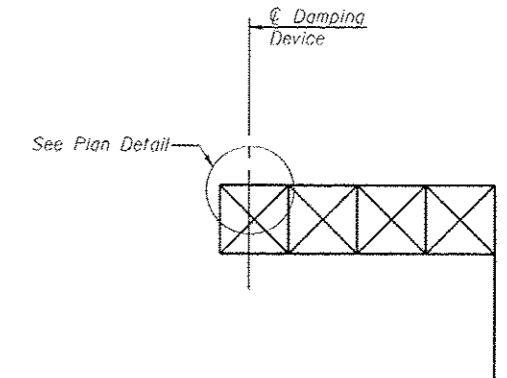


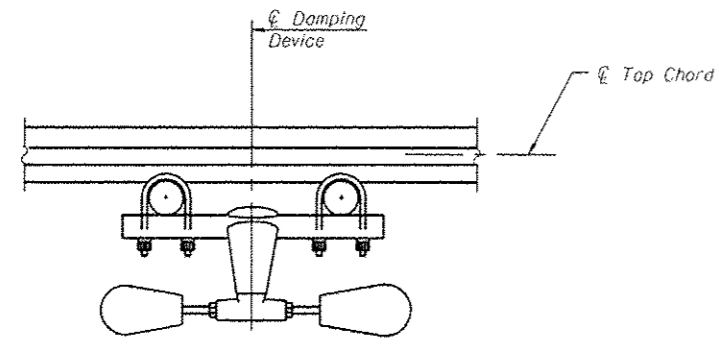
PLAN DETAIL



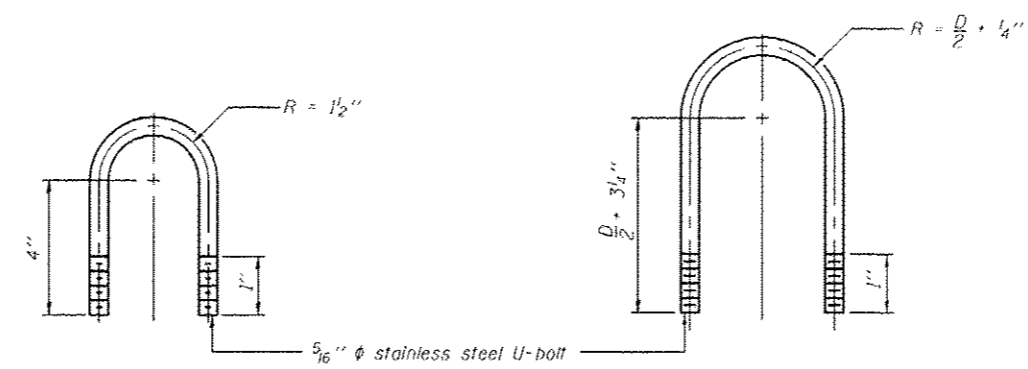
TRUSS DAMPING DEVICE CONNECTION DETAIL



ELEVATION
Aluminum Cantilever Sign Structure



SECTION A-A



DAMPING DEVICE MOUNTING TUBE U-BOLT DETAIL
(Typical)

TOP CHORD TO CROSS TUBE U-BOLT DETAIL
(Typical)

GENERAL NOTES

Damper: One damper per truss. (31 lbs. Stockbridge-Type Aluminum-29" minimum between ends of weights)

Materials: Aluminum tubes shall be ASTM B221 alloy 6061 temper T6

OSC-A-D

6-1-12

FILE NAME	USER NAME	DESIGNED	REVISED
ct:\pwworkspace\stef\erick\103308933\0103308933.sht	stef	-	-
		DRAWN	REVISED
		-	-
		CHECKED	REVISED
		-	-
		DATE	REVISED
		-	-

STATE OF ILLINOIS
DEPARTMENT OF TRANSPORTATION

CANTILEVER SIGN STRUCTURE
DAMPING DEVICE

P.A. RTE.	SECTION	COUNTY	TOTAL SHEETS	SHEET NO.
VAR.	-	**	47	22
* D7 OVC SIGN STR REPL 14-42			CONTRACT NO. 46306	
ILLINOIS FED. AID PROJECT				

**EFFINGHAM, MACON, COLES