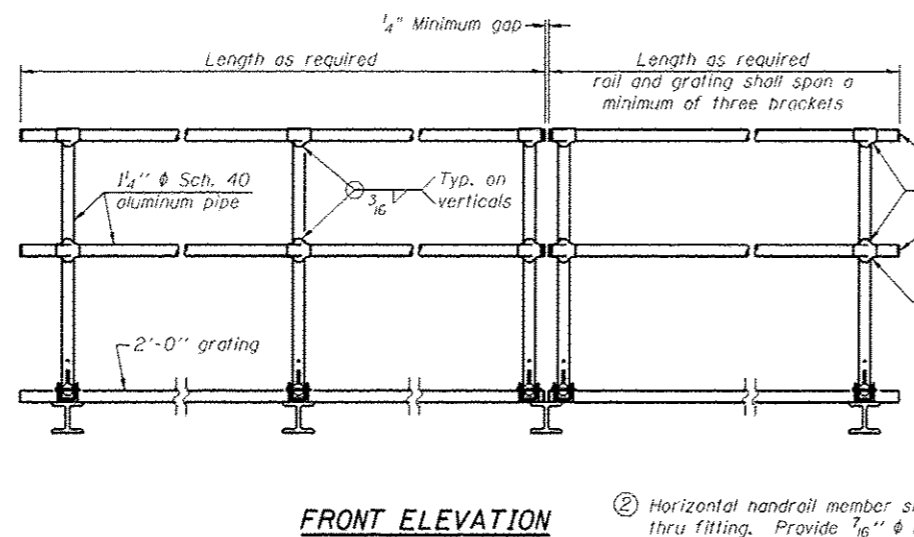
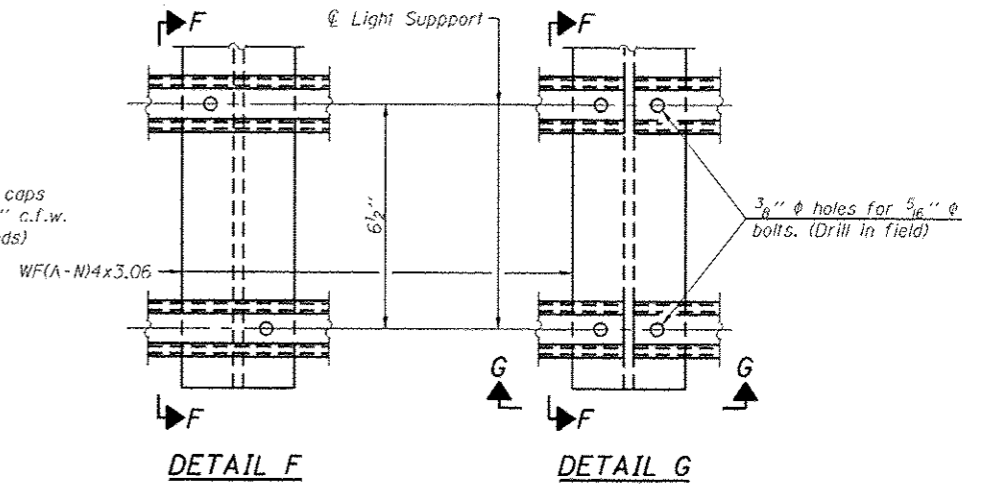


SIDE ELEVATION
(Showing Safety Chain W/O Sign)



FRONT ELEVATION



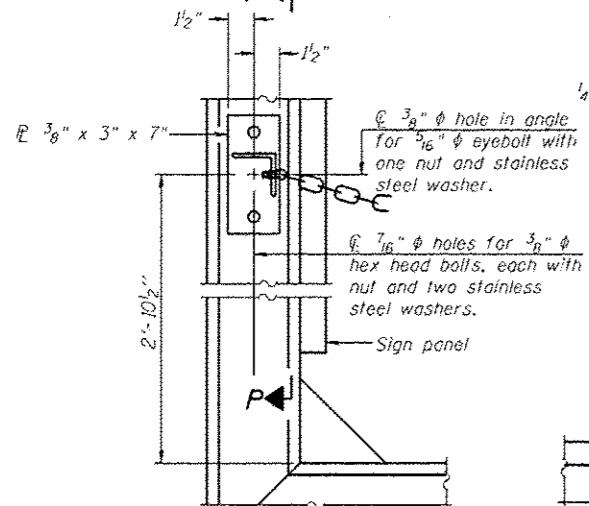
DETAIL F

DETAIL G

HANDRAIL DETAILS

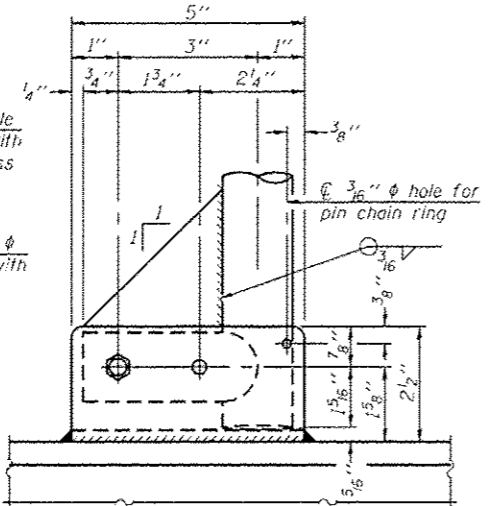
Handrail pipe shall be ASTM B241 or B429, Alloy 6063-T6 or Alloy 6061-T6.

① Install standard force-fit end caps or weld 1/8" end plates with 1/8" c.f.w. and grind smooth. (All rail ends)
② Horizontal handrail member shall be continuous thru fitting. Provide 7/16" hole in fitting for 3/8" bolt. Field drill 7/16" hole in horizontal rail member. Provide locknut and two stainless steel washers for bolt. (Use 3/16" eyebolts in 7/16" holes on top rail at ends only.)

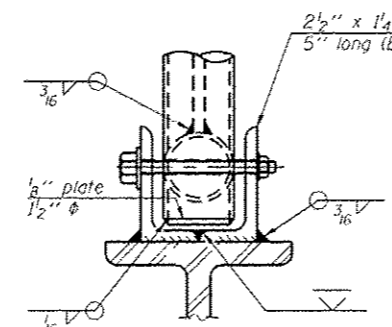


ALTERNATE SAFETY CHAIN ATTACHMENT
(With Sign Present)

Items not shown same as "Side Elevation" of "Handrail Details"

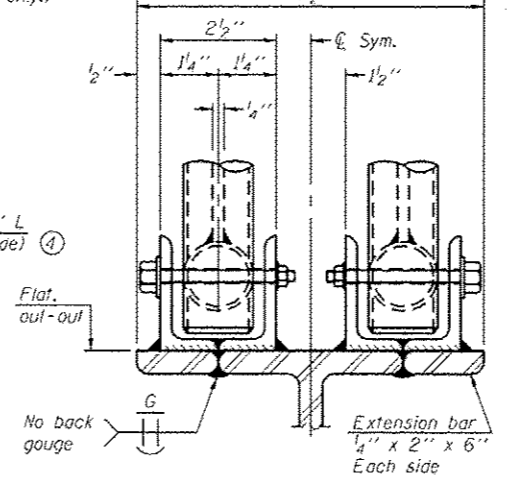


SIDE ELEVATION



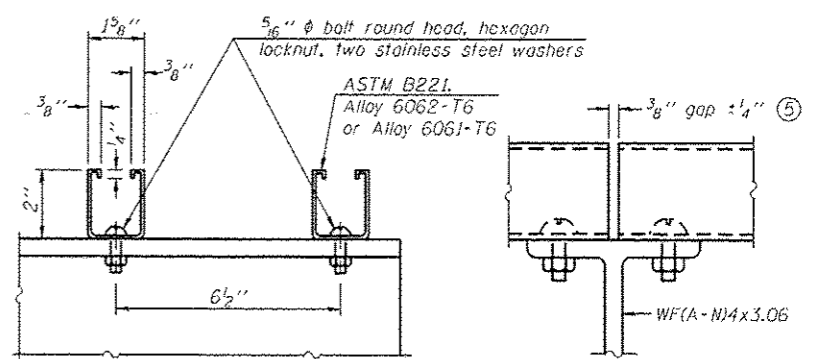
FRONT ELEVATION

Details not shown same as "ELEVATION" at right.



ELEVATION AT HANDRAIL JOINT ④

Details not shown same as "FRONT ELEVATION"

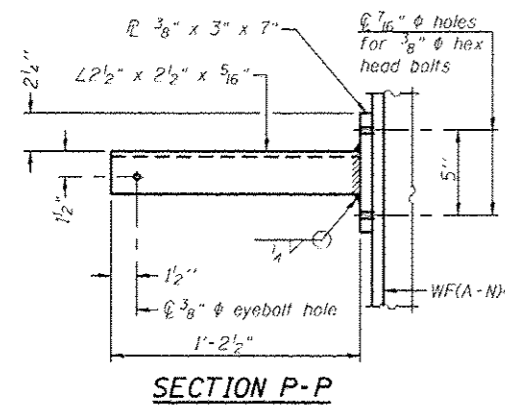


SECTION F-F

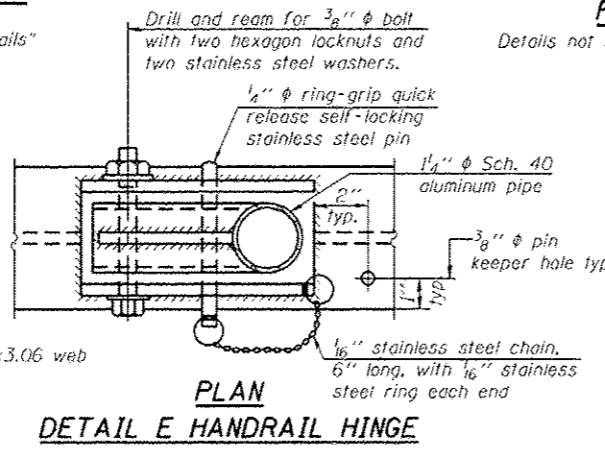
SECTION G-G

LIGHTING FIXTURE MOUNTS (IF REQUIRED)

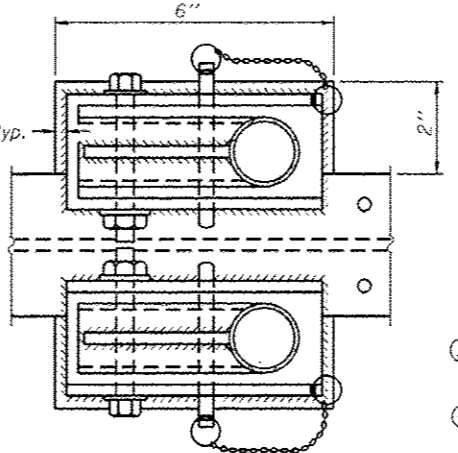
⑤ Field cut ends of light support channels shall be free of burrs or hazardous projections and coated with zinc-rich primer or equivalent.



SECTION P-P

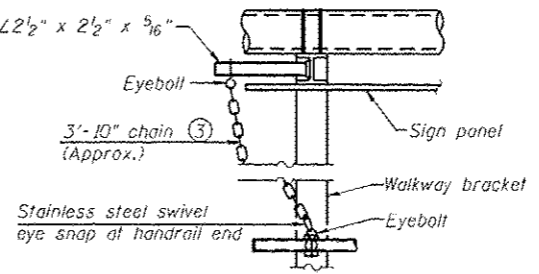


DETAIL E HANDRAIL HINGE



PLAN AT HANDRAIL JOINT

Details not shown same as "PLAN"

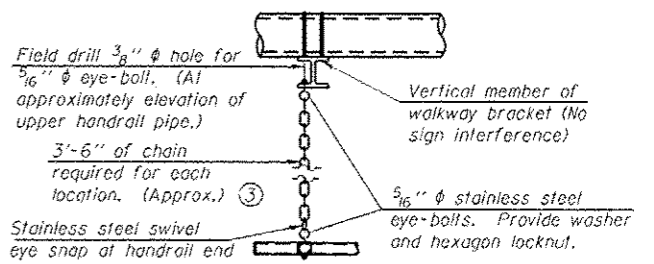


ALTERNATE SAFETY CHAIN ATTACHMENT

Details not shown similar to "Safety Chain" Details (Walkway omitted for clarity)

③ 3/16" Type 304L stainless steel chain, approximately 12 links per foot.

④ Extrusions may be used in lieu of the details shown, with approval of the Engineer.



SAFETY CHAIN

One required for each end of each walkway.

OSC-A-8 6-1-12

FILE NAME -	USER NAME -	DESIGNED -	REVISED -	STATE OF ILLINOIS DEPARTMENT OF TRANSPORTATION	CANTILEVER SIGN STRUCTURES - HANDRAIL DETAILS ALUMINUM TRUSS & STEEL POST	SCALE:	SHEET OF SHEETS STA. TO STA.	F.A. RTE.	SECTION	COUNTY	TOTAL SHEETS	SHEET NO.
cr:\pe_work\pados\stofferuk\dd308933\0	stofferuk	DRAWN -	REVISED -					VARs			47	27
Plot SCALE = 1/8" = 1'-0"	PLOT DATE = 10/29/2013	CHECKED -	REVISED -					• D7 OVC SIN STR REPL 14-42 CONTRACT NO. 46306				
		DATE -	REVISED -					ILLINOIS FED. AID PROJECT **EFFINGHAM, MACON, COLES				