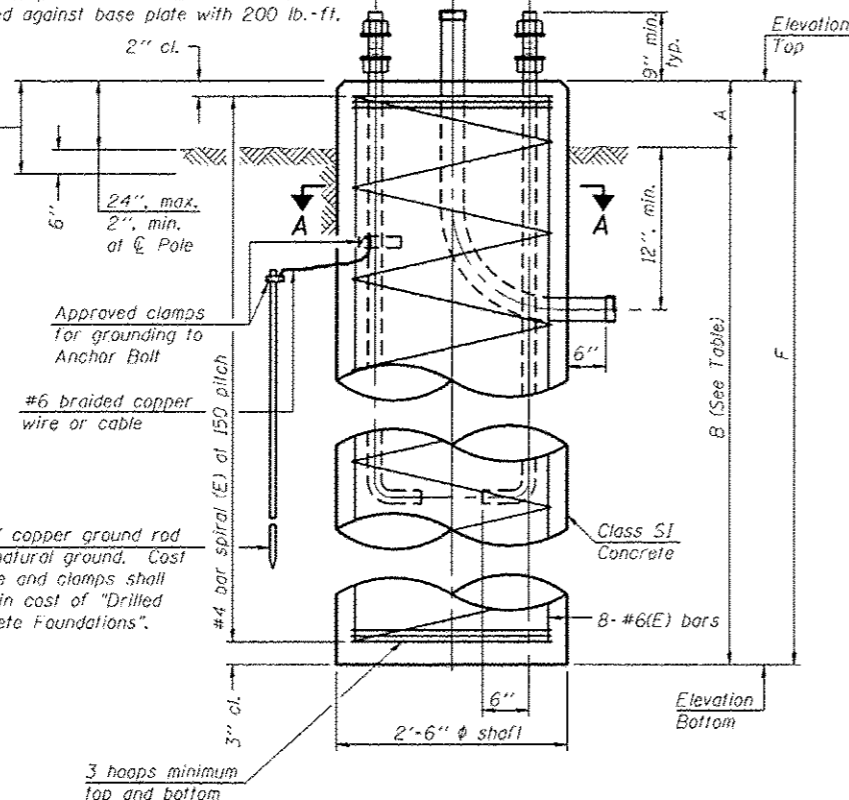


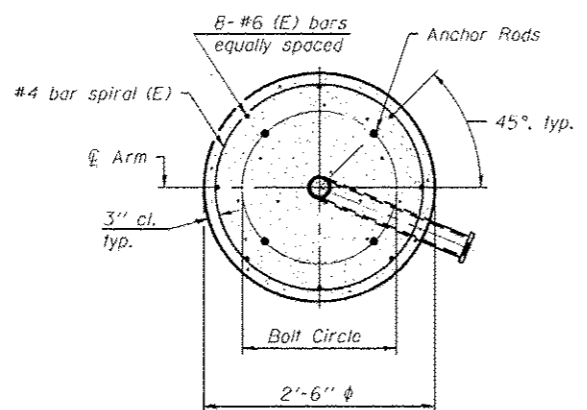
Ø anchor rod. Thread upper 8". Galvanize upper 18" per AASHTO M232. Provide one hexagon locknut and washer (top) and one leveling nut and washer (bottom). Galvanize per AASHTO M232. Nuts shall each be tightened against base plate with 200 lb.-ft. torque.

Limits of Bridge Seal Sealer (Cost included in "Drilled Shaft Concrete Foundations")



**FOUNDATION DETAILS**

Typical, except conduit may only be required at one foundation. Provide conduit openings both poles.



**SECTION A-A**

Span (Ft.)	B (Ft.)
Span ≤ 45	9
45 < Span ≤ 65	10
65 < Span ≤ 80	11

**FOUNDATIONS:**

The foundation dimensions shown are based on the presence of mostly cohesive soils with an average Unconfined Compressive Strength (Qu) of at least 1.25 tsf, which must be determined by previous soil investigations at the jobsite. When other conditions are indicated, the boring data will be included in the plans and the foundation dimensions shown will be the result of site specific designs.

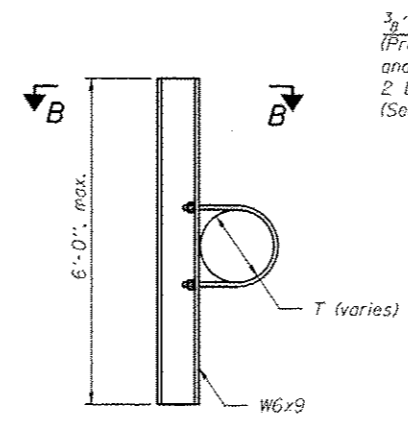
If the conditions encountered are different than those indicated, the Contractor shall notify the Engineer to determine if the foundation dimensions need to be modified. If dimensions "B" or "F" are revised by more than 12" by the Contractor, "as-built" plans shall be prepared and submitted to the District Bureau of Operations for future reference.

No sonotubes or decomposable forms shall be used below the lower conduit entrance. Permanent metal forms or other shielding may not be left in place below that elevation without the Engineer's written permission.

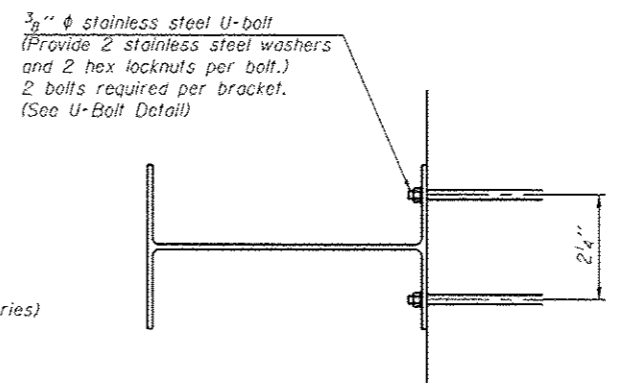
Concrete shall be placed monolithically, without construction joints.

Backfill shall be placed per Article 502 of Standard Specification and prior to erection of support column.

A normal surface finish followed by a Bridge Seal Sealer application will be required on concrete surfaces above the lowest elevation 6" below finished ground line. Cost included in Drilled Shaft Concrete Foundation.

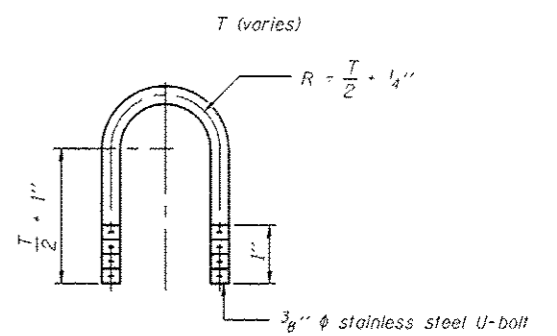


**SIGN MOUNTING BRACKET**  
(Minimum 2 Brackets Each Sign)



**SECTION B-B**

6'-0" maximum spacing.  
2'-0" maximum sign overhang beyond end bracket.



**U-BOLT DETAIL**  
(Typical)

MONOTUBE - 2 6-1-12

FILE NAME	USER NAME	DESIGNED	REVISED
ct:\pvc\work\p1\dot\stef\forms\ad0358933\046306-shft-details.dgn	stef	-	-
		DRAWN	REVISED
		CHECKED	REVISED
		DATE	REVISED

STATE OF ILLINOIS  
DEPARTMENT OF TRANSPORTATION

MONOTUBE SIGN STRUCTURE FOUNDATION AND SIGN BRACKETS			
SCALE:	SHEET	OF SHEETS	STA. TO STA.

F.A. RTE.	SECTION	COUNTY	TOTAL SHEETS	SHEET NO.
VAR	-	**	45	30
* 07 OVC SIN STR REPL 14-42			CONTRACT NO. 46306	
ILLINOIS FED. AID PROJECT **EFFINGHAM, MACON, COLES				