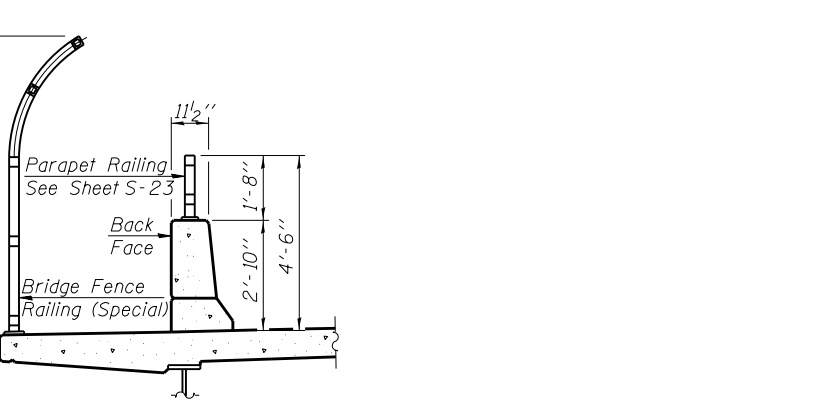
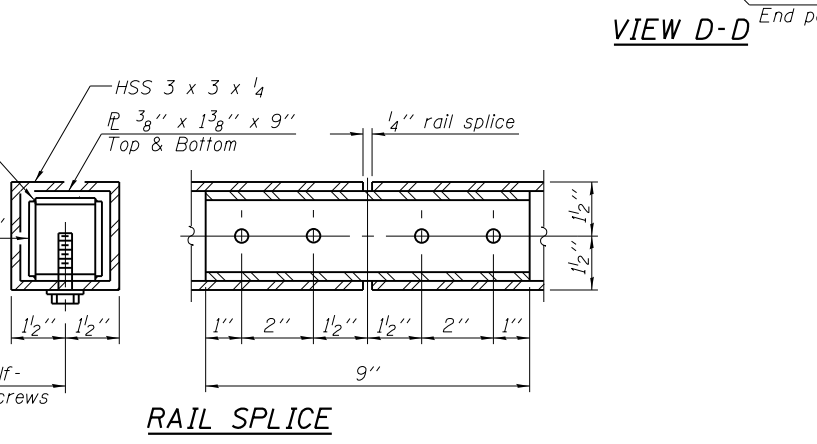
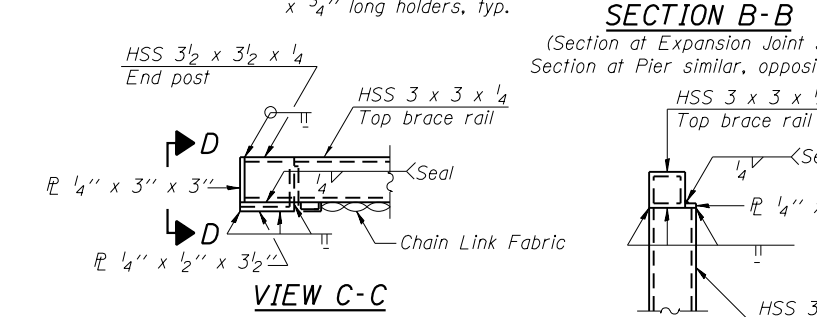
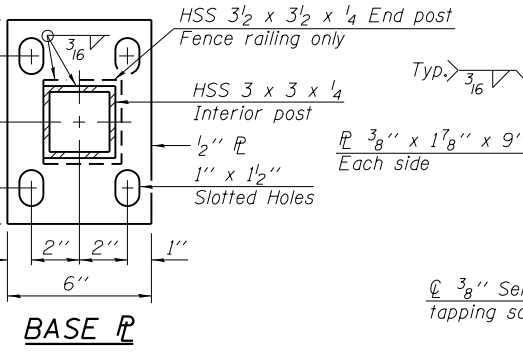
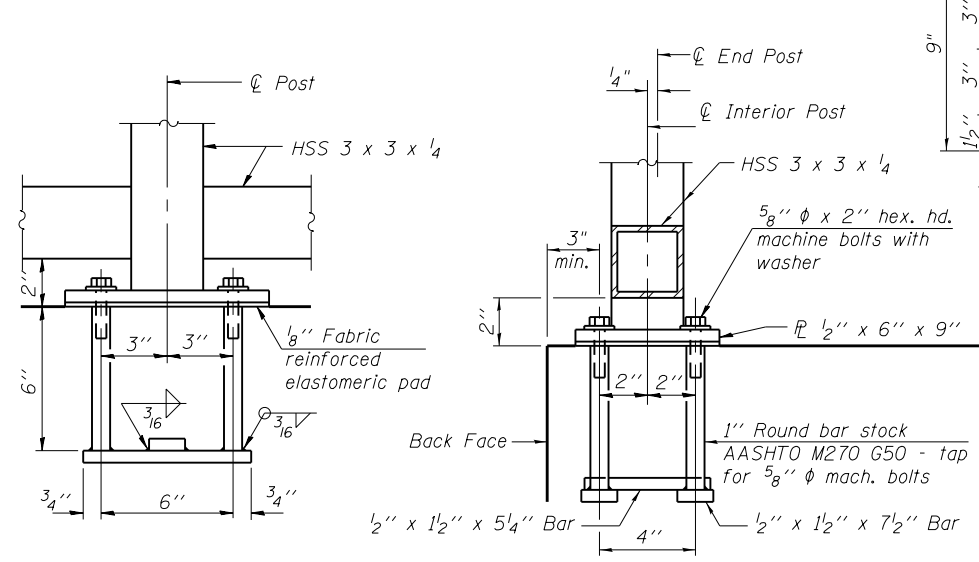
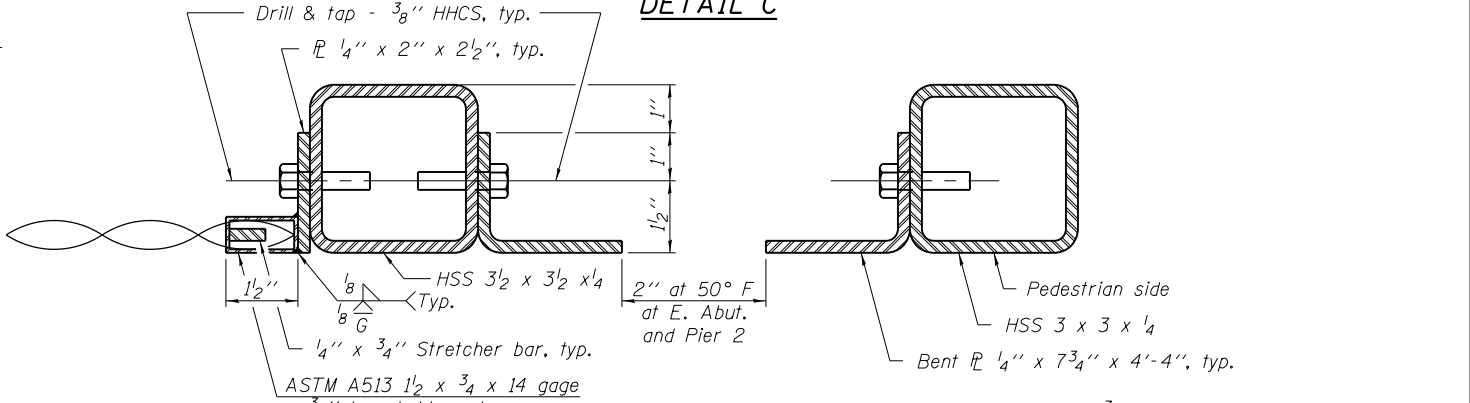


All steel rail elements shall be galvanized according to Article 509.05 of the Standard Specifications.

All steel rail elements shall be finished with Black Polyester Powder Coating over galvanized steel. See Special Provisions.



ANCHOR BOLT DETAILS

In lieu of the cast-in-place anchor device shown, the Contractor has the option of drilling and setting 5/8" diameter anchor rods according to Article 509.06 of the Standard Specifications. Embedment shall be according to the manufacturer's specifications.

BILL OF MATERIAL

Item	Unit	Quantity
Bridge Fence Railing (Special)	Foot	188



USER NAME =	DESIGNED - BAR	REVISED
	CHECKED - AMK	REVISED
PLOT SCALE =	DRAWN - BAR	REVISED
PLOT DATE = 02/28/2014	CHECKED - AMK	REVISED

STATE OF ILLINOIS
DEPARTMENT OF TRANSPORTATION

BRIDGE FENCE RAILING (SPECIAL)
STRUCTURE NO. 022-0512
SHEET NO. S-22 OF S-53 SHEETS

F.A.P. RTE. 311	SECTION 652-A	COUNTY DuPAGE	TOTAL SHEETS 383	SHEET NO. 185
CONTRACT NO. 60R06			ILLINOIS FED. AID PROJECT	