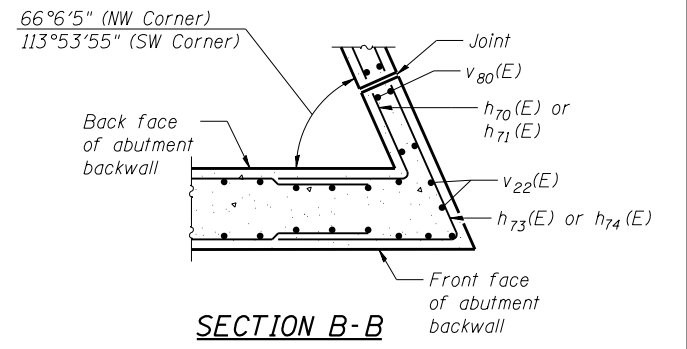
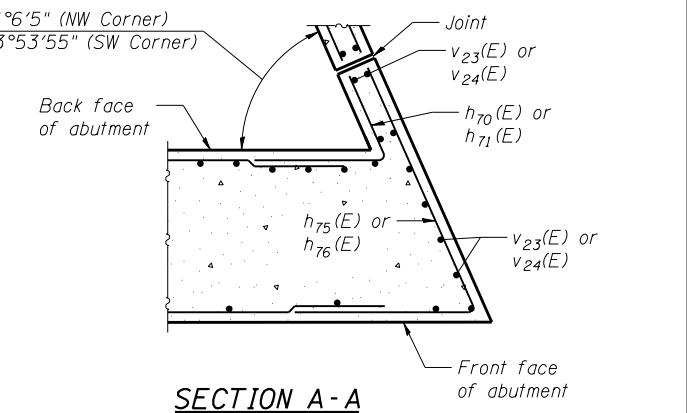


VIEW D-D AT SW WINGWALL

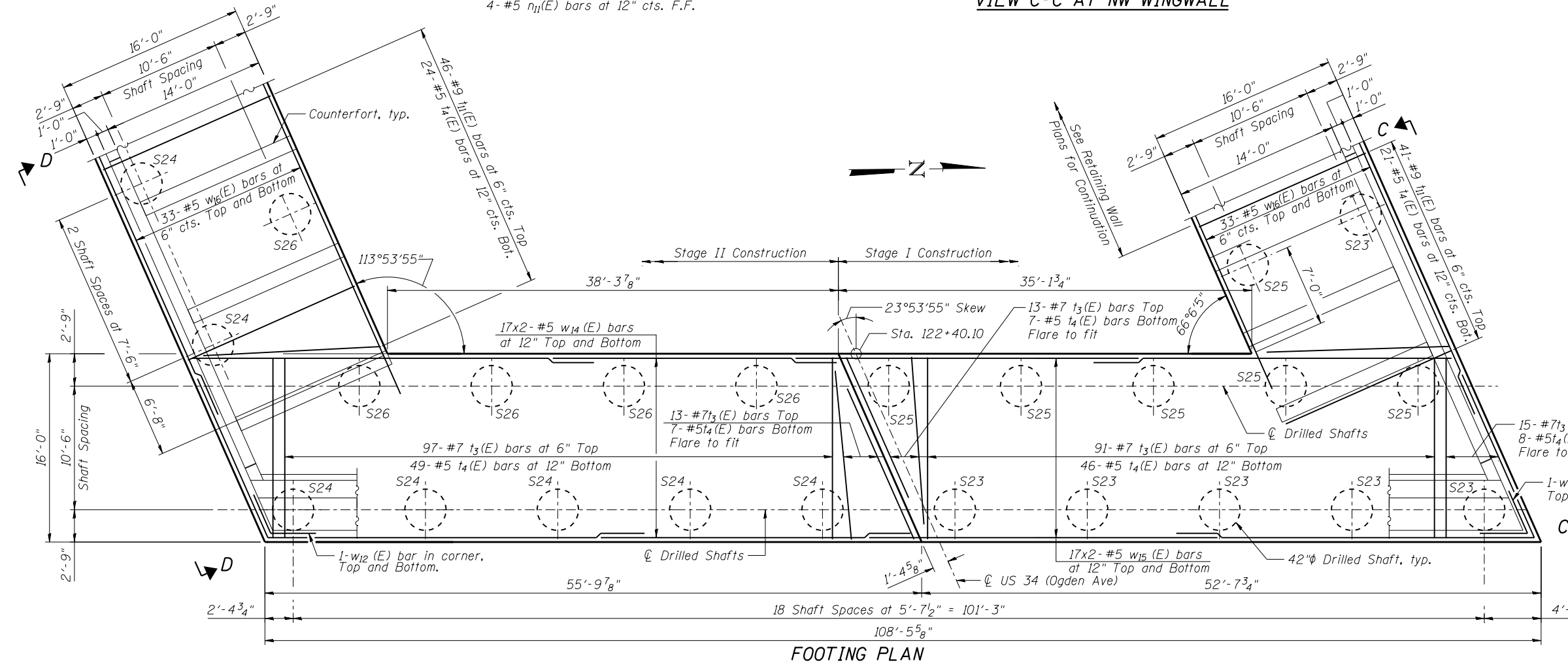
VIEW C-C AT NW WINGWALL



SECTION B-B



SECTION A-A



FOOTING PLAN

MINIMUM BAR LAP
 #5 Bar = 2'-11" (Top Bar)

NOTES

1. Bars indicated 17x2- #5 etc. indicates 17 lines of bars with 2 lengths per line.
2. F.F. denotes Front Face. B.F. denotes Back Face. E.F. denotes Each Face.
3. For Bar List and Bill of Materials, see Sheet S-33.
4. For Section through wingwall see Sheet S-33.
5. Concrete Sealer shall be applied to the backwall, bearing seat, and front face of abutment.



USER NAME =	DESIGNED - KMP	REVISED
	CHECKED - STB	REVISED
PLOT SCALE =	DRAWN - KMP	REVISED
PLOT DATE = 02/28/2014	CHECKED - STB	REVISED

**STATE OF ILLINOIS
 DEPARTMENT OF TRANSPORTATION**

**WEST ABUTMENT 1
 STRUCTURE NO. 022-0512**

SHEET NO. S-31 OF S-53 SHEETS

F.A.P. RTE.	SECTION	COUNTY	TOTAL SHEETS	SHEET NO.
311	652-A	DuPAGE	383	194
CONTRACT NO. 60R06				

ILLINOIS FED. AID PROJECT