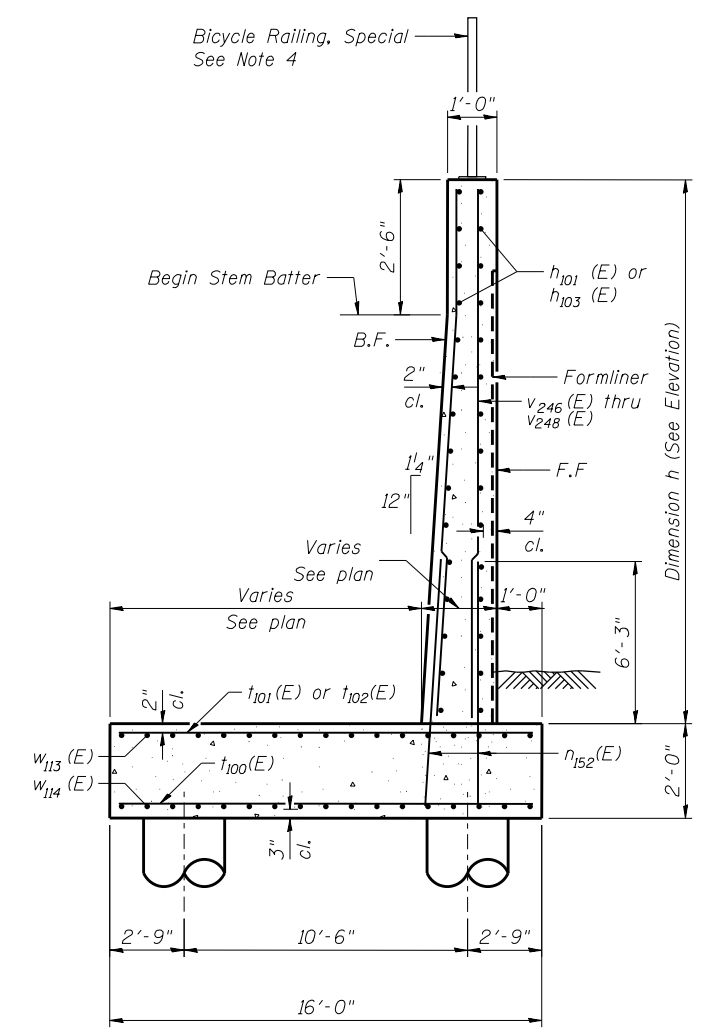
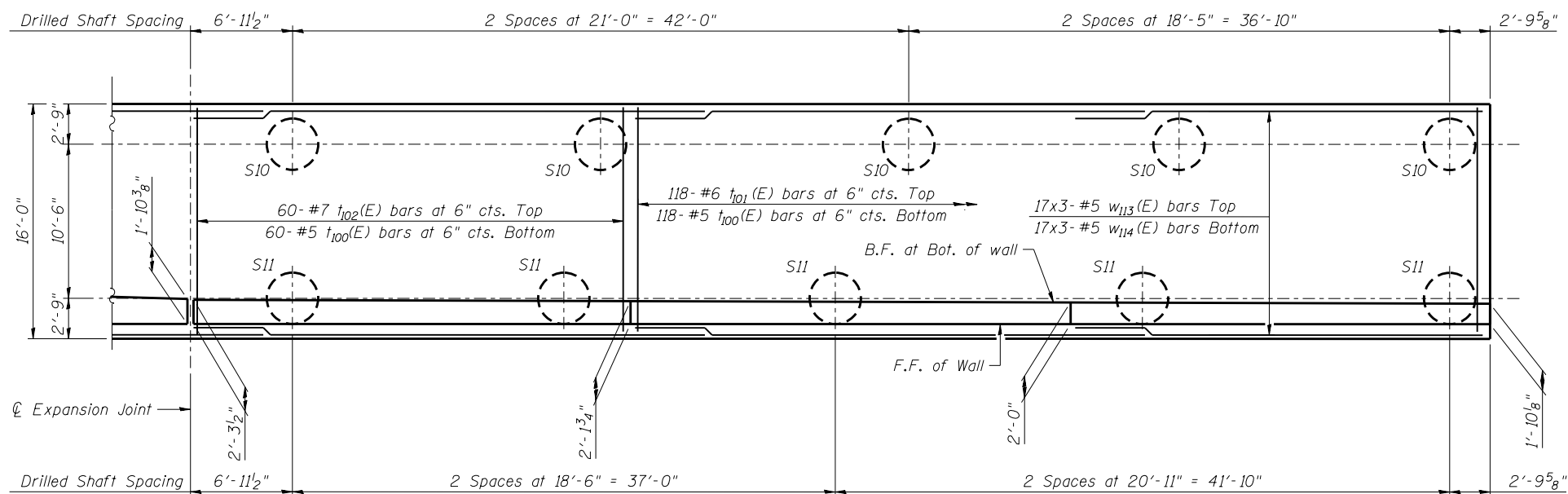


ELEVATION



SECTION A-A



PLAN

MINIMUM BAR LAP

#5 bar = 2'-7" (Vertical)
 #5 bar = 2'-11" (Horizontal)

NOTES

- F.F. - Denotes Front Face
 B.F. - Denotes Back Face
 E.F. - Denotes Each Face
- See Sheet SE-2 for Bill of Material.
- See Sheet SE-9 for Bar Bending Diagrams, Bill of Bars, Concrete Construction Joint, and Expansion Joint details.
- For Bicycle Railing post spacing see General Plan and Elevation Sheet.
- Bars indicated thus 17 x 3-#5 etc. indicates 17 lines of bars with 3 lengths per line.



USER NAME =	DESIGNED - KMP	REVISED
	CHECKED - AMK	REVISED
PLOT SCALE =	DRAWN - KMP	REVISED
PLOT DATE = 02/28/2014	CHECKED - AMK	REVISED

**STATE OF ILLINOIS
 DEPARTMENT OF TRANSPORTATION**

**DETAIL PLAN AND ELEVATION 6
 STRUCTURE NO. 022-W071**

SHEET NO. SE-8 OF SE-15 SHEETS

F.A.P. RTE.	SECTION	COUNTY	TOTAL SHEETS	SHEET NO.
311	652-A	DuPAGE	383	273
CONTRACT NO. 60R06				
ILLINOIS FED. AID PROJECT				