

GENERAL NOTES

Reinforcement Bars designated (E) shall be epoxy coated.
See Special Provisions for Mechanically Stabilized Earth Retaining Wall design and construction requirements.

The gradations and capping of the Aggregate Subgrade Improvement used to replace the unsuitable material and Non-Special Waste shall be approved by the Engineer.

M.S.E. wall supplier to provide internal stability design for load transfer system to accommodate the posts for the traffic barrier terminals at the north end of the southeast wall. See Roadway Plans for exact location of traffic barrier terminals and IDOT Highway Standards 630301-06 and 631031-11 for details. Coordinate with Contractor installing the traffic barrier terminals. Cost included with Mechanically Stabilized Earth Retaining Wall.

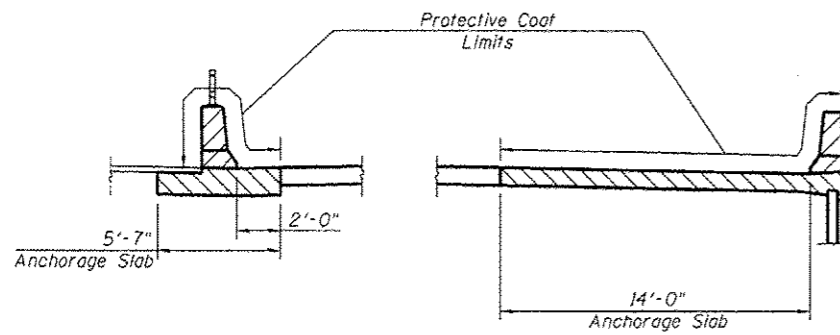
Slipforming of the parapets is not allowed.

TOTAL BILL OF MATERIAL

ITEM	UNIT	TOTAL
Mechanically Stabilized Earth Retaining Wall	Sq. Ft.	26,465
Structure Excavation	Cu. Yd.	9,801
Removal and Disposal of Unsuitable Material for Structures	Cu. Yd.	1,882
Aggregate Subgrade Improvement	Cu. Yd.	3,675
Concrete Structures	Cu. Yd.	492.7
Concrete Superstructure	Cu. Yd.	134.1
Protective Coat	Sq. Yd.	1,758
Reinforcement Bars, Epoxy Coated	Pound	100,620
Bicycle Railing	Foot	466
Parapet Railing	Foot	462
Name Plates	Each	1
Geotechnical Fabric for Ground Stabilization	Sq. Yd.	3,553
Porous Granular Embankment	Cu. Yd.	20,926
Non-Special Waste Disposal	Cu. Yd.	1,763

INDEX OF SHEETS

- 1 General Plan & Elevation
- 2 General Notes, Index of Sheets and Total Bill of Material
- 3 MSE Retaining Walls General Layout
- 4 Unsuitable Material Removal and Backfill Layout
- 5 MSE Wall Plan & Elevation
- 6 MSE Wall Elevations
- 7 MSE Wall Details at Abutment
- 8 MSE Wall Cross Section
- 9 MSE Wall Cross Section Tables
- 10 Drainage Structure Details
- 11 Northeast MSE Wall Coping Elevation
- 12 Northeast Anchorage Slab
- 13 Northeast Parapet Elevation
- 14 Northwest MSE Wall Anchorage Slab
- 15 Northwest Parapet Elevation
- 16 Anchorage Slab and Parapet Details
- 17 Bicycle Railing
- 18-35 Soil Boring Logs



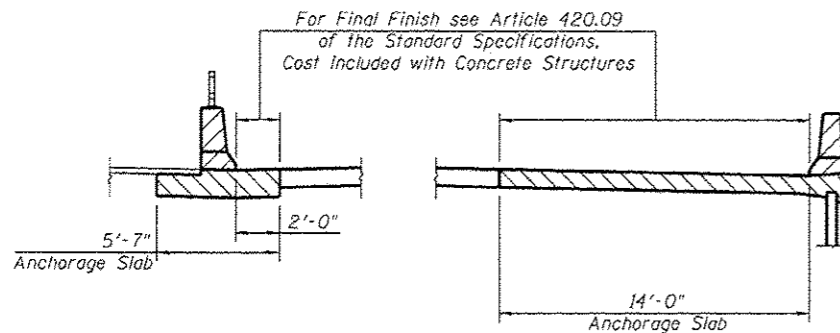
PROTECTIVE COAT LIMITS

ANCHORAGE SLAB PAY ITEM LEGEND

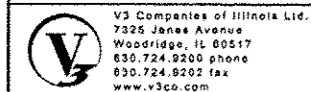
- Paid as Concrete Superstructure
- Paid as Concrete Structures

STATION 274+50.00
-281+52.27
BUILT BY
STATE OF ILLINOIS
F.A.P. RT. 353 SEC. 11-Y-A
LOADING HL-93
STRUCTURE NO. 016-1279

NAME PLATE
See Std. 515001



FINAL FINISH LIMITS



USER NAME *	DESIGNED - EYS	REVISED Δ 1/09/2014 W.J.V.
PLT. SCALE *	CHECKED - WJV	REVISED
PLT. DATE *	DRAWN - EYS	REVISED
	CHECKED - WJV	REVISED

STATE OF ILLINOIS
DEPARTMENT OF TRANSPORTATION

GENERAL NOTES, INDEX OF SHEETS AND TOTAL BILL OF MATERIAL
STRUCTURE NO. 016-1279

SHEET NO. 2 OF 35 SHEETS

F.A.P. RTE.	SECTION	COUNTY	TOTAL SHEETS	SHEET NO.
353	11-Y-A	COOK	354	222
CONTRACT NO. 60R19				
ILLINOIS FED. AID PROJECT				