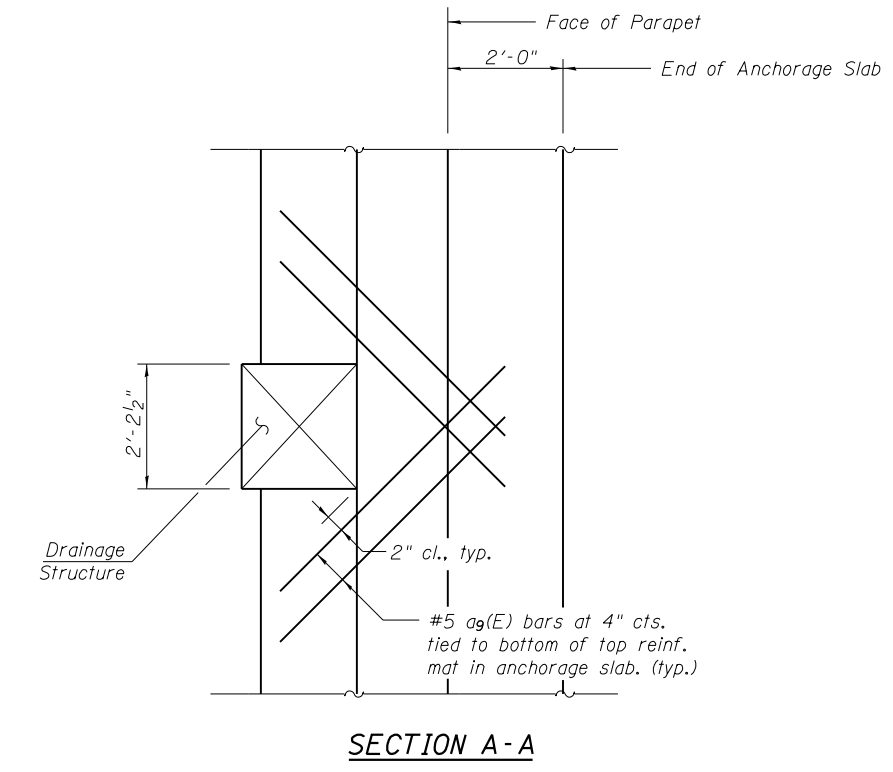
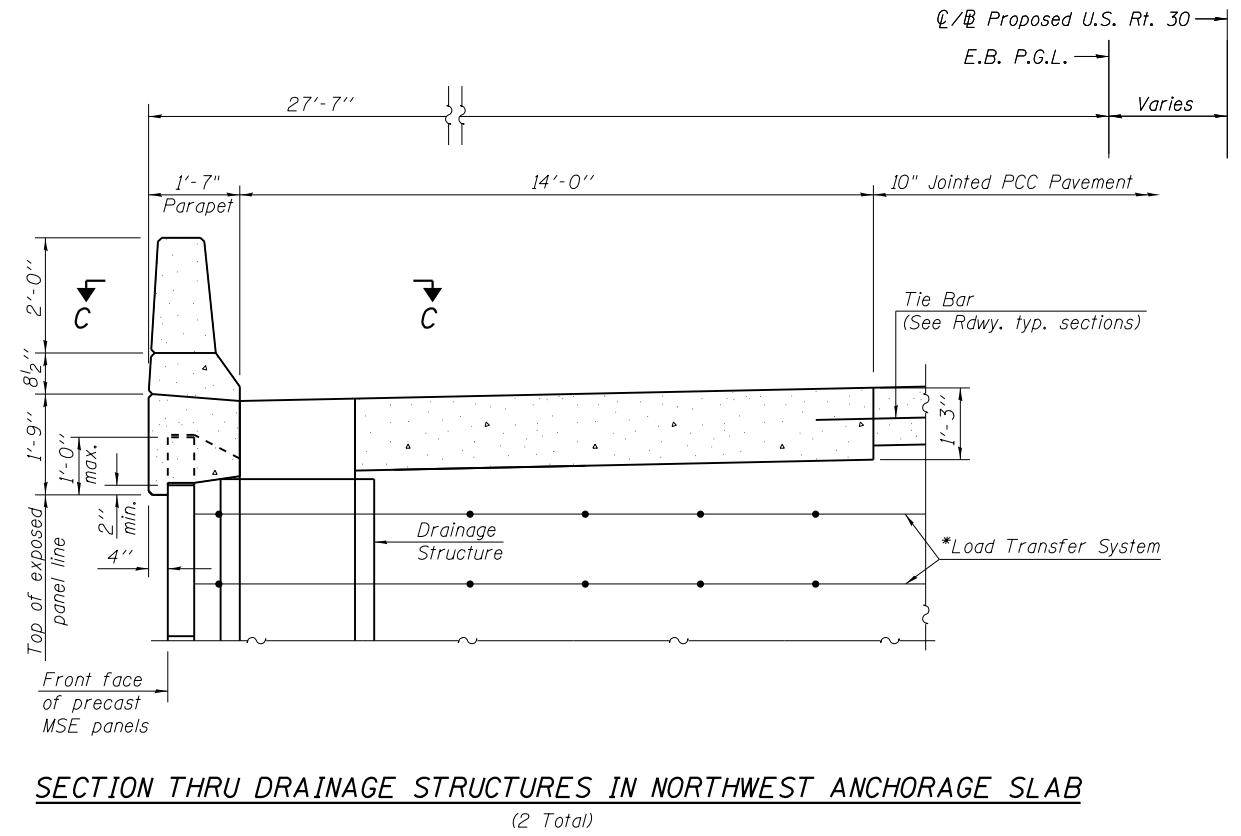
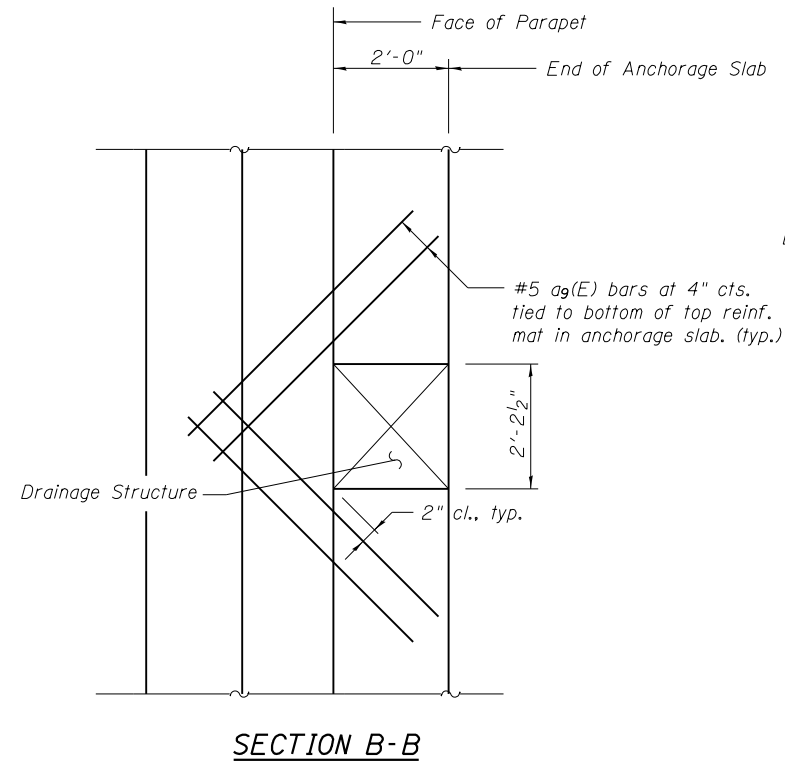


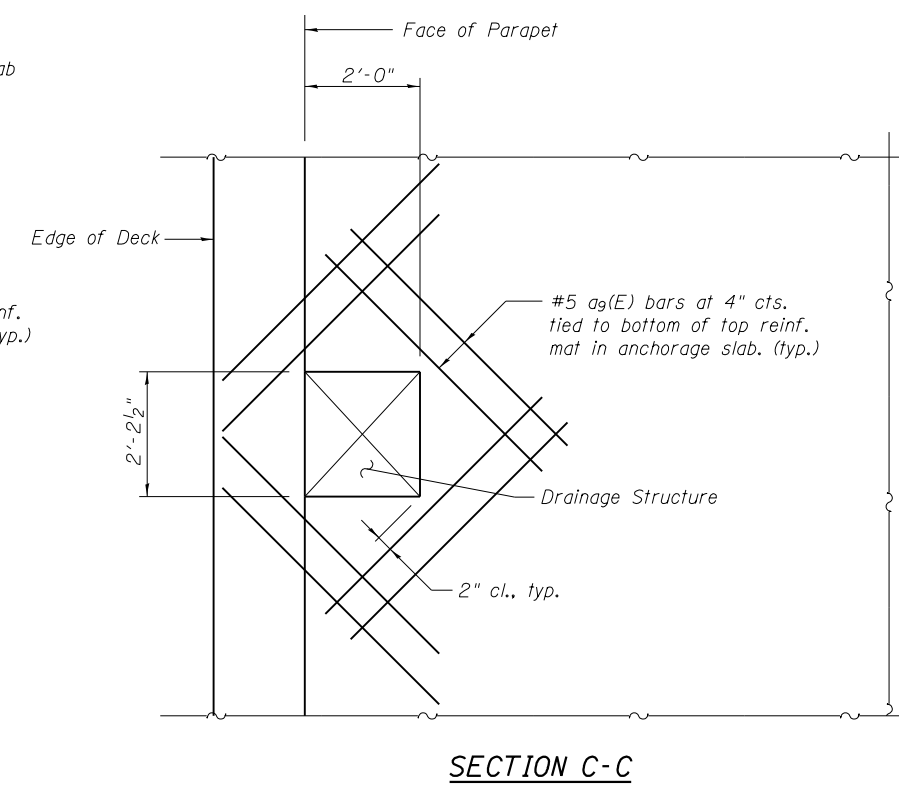
*M.S.E. Wall supplier to provide internal stability design for load transfer system to accommodate drainage structures and pipes.



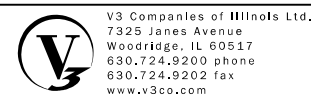
Shift transverse reinforcement and cut longitudinal reinforcement in anchorage slab to clear drainage structures.



Shift transverse reinforcement and cut longitudinal reinforcement in anchorage slab to clear drainage structures.



Shift transverse reinforcement and cut longitudinal reinforcement in anchorage slab to clear drainage structures.



USER NAME =	DESIGNED - EVS	REVISED
PLOT SCALE =	CHECKED - WJV	REVISED
PLOT DATE =	DRAWN - EVS	REVISED
	CHECKED - WJV	REVISED

STATE OF ILLINOIS
DEPARTMENT OF TRANSPORTATION

DRAINAGE STRUCTURES DETAILS
STRUCTURE NO. 016-1279
SHEET NO. 10 OF 35 SHEETS

F.A.P. RTE.	SECTION	COUNTY	TOTAL SHEETS	SHEET NO.
353	11-Y-A	COOK	354	230
CONTRACT NO. 60R19				

ILLINOIS FED. AID PROJECT