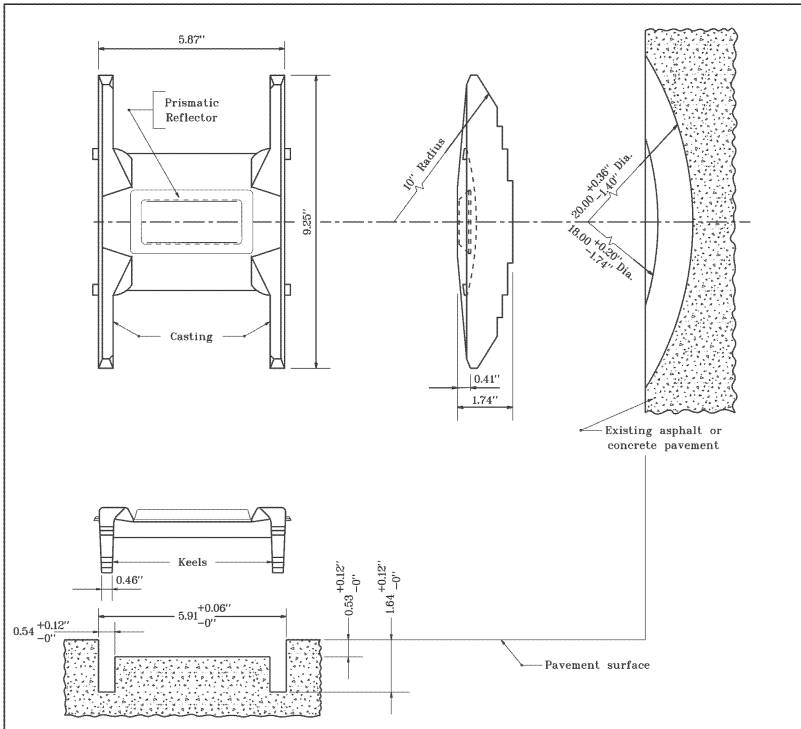
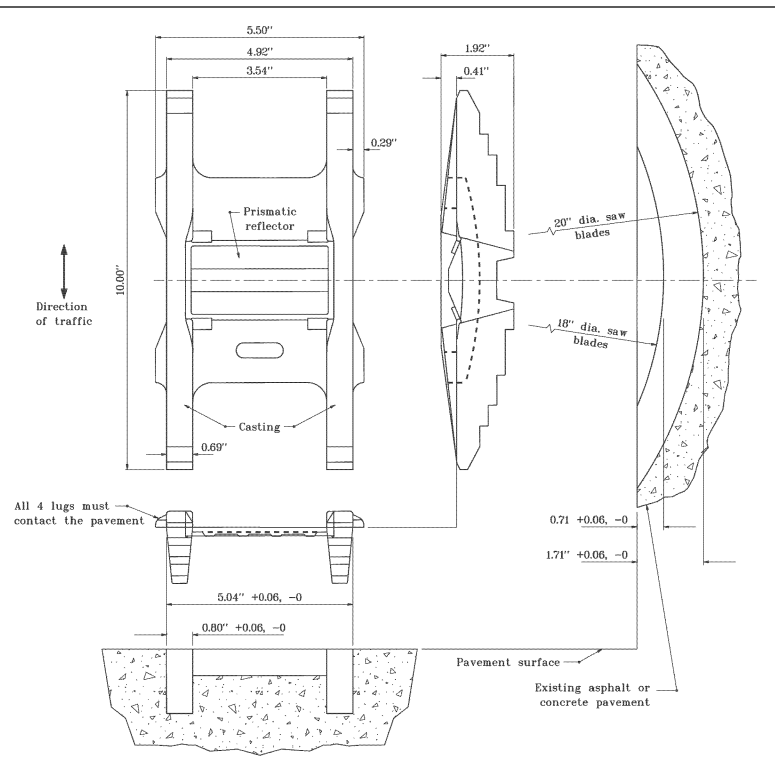


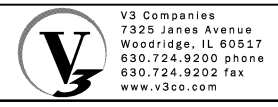
INDIANA DEPARTMENT OF TRANSPORTATION
**PLACEMENT OF SNOWPLOWABLE
 RAISED PAVEMENT MARKERS**
 MARCH 1995
 STANDARD DRAWING NO.E 808-MKRM-09
 DETAILS PLACED IN THE FORMAT 11-16-99
 No. 18095
 STATE OF INDIANA
 PROFESSIONAL ENGINEER
 /s/ Anthony L. Uremovich 11-16-99
 DIRECTOR OF TRANSPORTATION
 /s/ Firooz Zandi 11-16-99
 CHIEF ENGINEER
 ORIGINALLY APPROVED 3-9-95



INDIANA DEPARTMENT OF TRANSPORTATION
**RAISED PAVEMENT MARKER
 CAST METAL BASE, TYPE 1**
 SEPTEMBER 1995
 STANDARD DRAWING NO.E 808-MKRM-10
 DETAILS PLACED IN THE FORMAT 11-16-99
 No. 18095
 STATE OF INDIANA
 PROFESSIONAL ENGINEER
 /s/ Anthony L. Uremovich 11-16-99
 DIRECTOR OF TRANSPORTATION
 /s/ Firooz Zandi 11-16-99
 CHIEF ENGINEER
 ORIGINALLY APPROVED 9-9-95



INDIANA DEPARTMENT OF TRANSPORTATION
**RAISED PAVEMENT MARKERS
 CAST METAL BASE, TYPE 2**
 JANUARY 2000
 STANDARD DRAWING NO.E 808-MKRM-11
 DETAILS PLACED IN THE FORMAT 11-16-99
 No. 18095
 STATE OF INDIANA
 PROFESSIONAL ENGINEER
 /s/ Anthony L. Uremovich 1-03-00
 DIRECTOR OF TRANSPORTATION
 /s/ Firooz Zandi 1-03-00
 CHIEF ENGINEER
 ORIGINALLY APPROVED 1-03-00



USER NAME = hshsh	DESIGNED - DSS	REVISED -
PLOT SCALE = 1:8000 ' / 1"	DRAWN - DRP	REVISED -
PLOT DATE = 8/21/2013	CHECKED - VJD	REVISED -
	DATE - 08/14/2013	REVISED -

STATE OF ILLINOIS
 DEPARTMENT OF TRANSPORTATION

INDIANA DEPARTMENT OF TRANSPORTATION
 ROADWAY STANDARD DETAILS
 SCALE: N/A SHEET NO. 2 OF 2 SHEETS

F.A.P. RTE.	SECTION	COUNTY	TOTAL SHEETS	SHEET NO.
353	11-Y-A	COOK	354	307
CONTRACT NO. 60R19				
ILLINOIS FED. AID PROJECT				