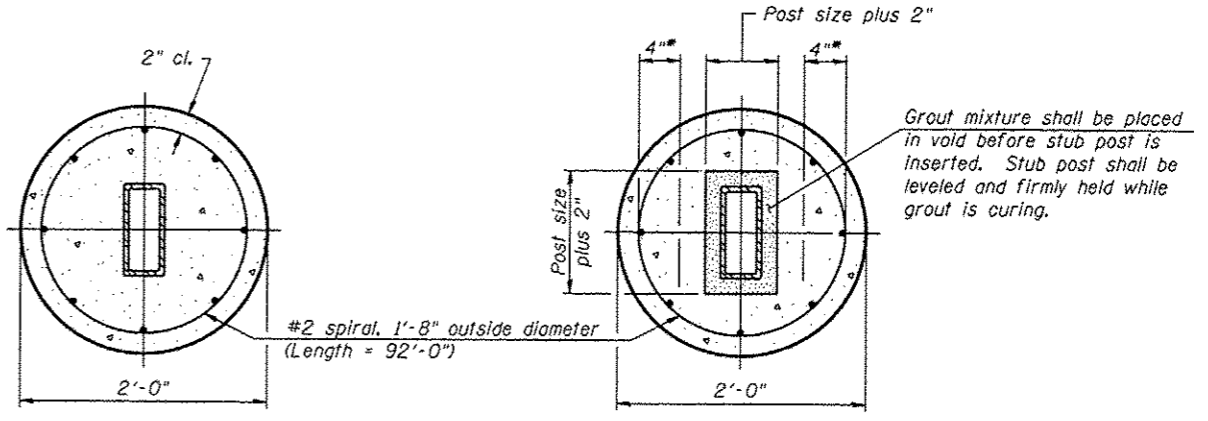


FRONT ELEVATION

SIDE ELEVATION

MAIN POST & STUB POST

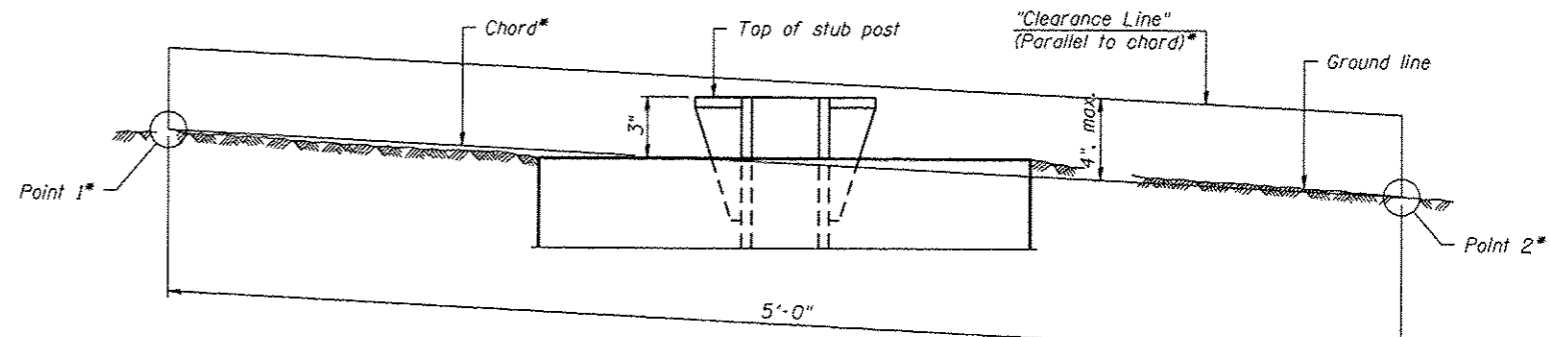


SECTION A-A
(CAST-IN-PLACE)

OR

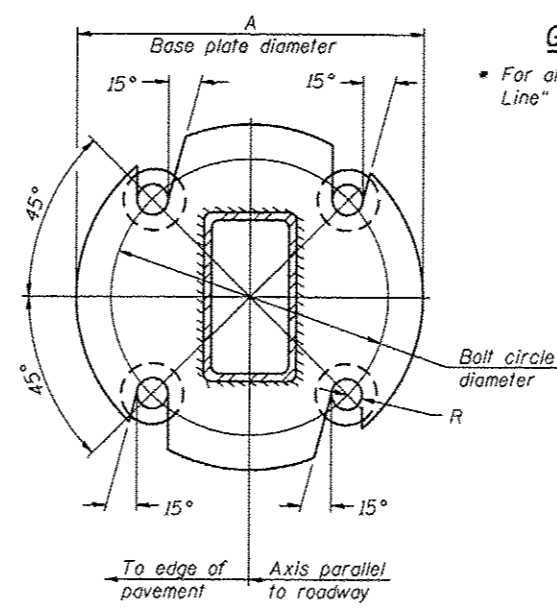
SECTION A-A
(PRECAST)

* Hot dip galvanized lifting loops or inserts may be placed in precast foundation inside the spiral reinforcement but not within 6" of the long axis of the post. Inserts must be adequate for safely lifting a total of 3,000 pounds and must not interfere with installation of the stub post or proper functioning of the slip base.

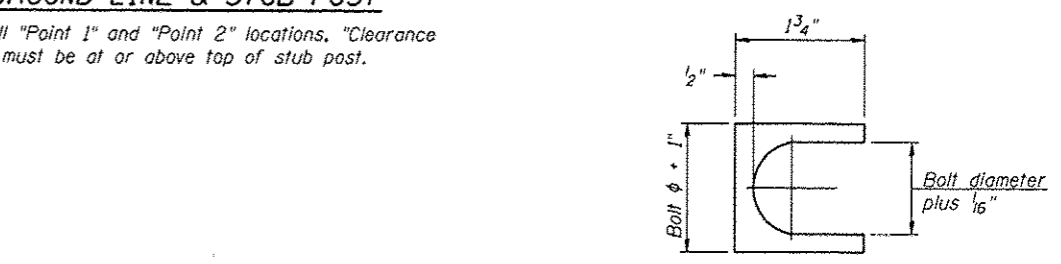


ELEVATION
GROUND LINE & STUB POST

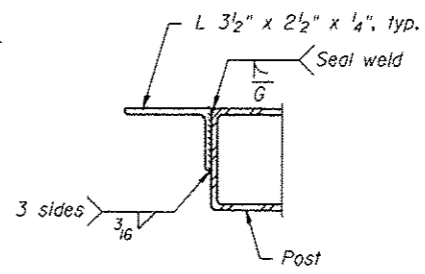
* For all "Point 1" and "Point 2" locations, "Clearance Line" must be at or above top of stub post.



SECTION B-B



SHIM DETAIL



SECTION C-C

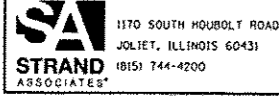
Weild continuously around corners.

FILE NAME = S:\JOL_6380-579\16346_1855\Misc\10400_Sheets\BAT-A-2.dgn

BAT-A-2

6-1-12

(Sheet 2 of 2)



USER NAME = dennisw	DESIGNED - JLB	REVISED -
MODEL NAME = Default	DRAWN - DJW	REVISED -
PLOT SCALE = 108.0000 / in.	CHECKED - BMA	REVISED -
PLOT DATE = 12/10/2013	DATE - 12/17/13	REVISED -

STATE OF ILLINOIS
DEPARTMENT OF TRANSPORTATION

BREAK-AWAY TUBULAR STEEL
SIGN POSTS AND DETAILS

F.A.P. RTE. 575	SECTION 14-N	COUNTY WILL	TOTAL SHEETS 163	SHEET NO. 57
CONTRACT NO. 60W13				

SCALE: SHEET OF SHEETS STA. TO STA.

ILLINOIS FED. AID PROJECT