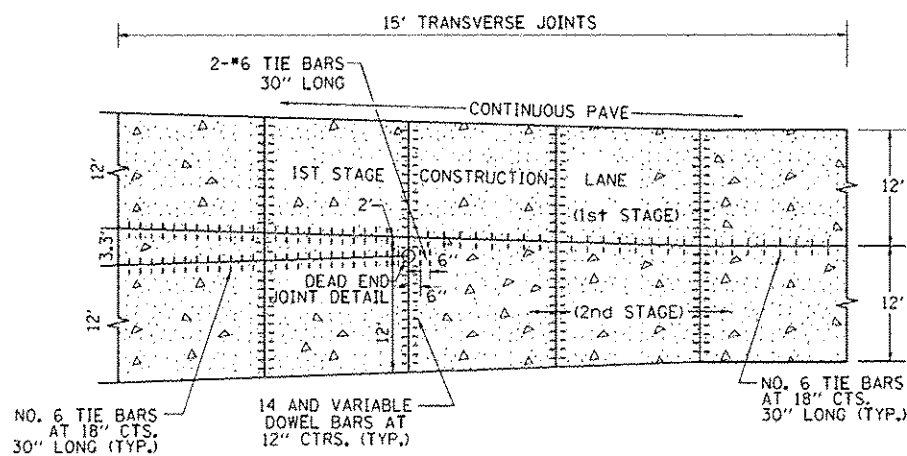
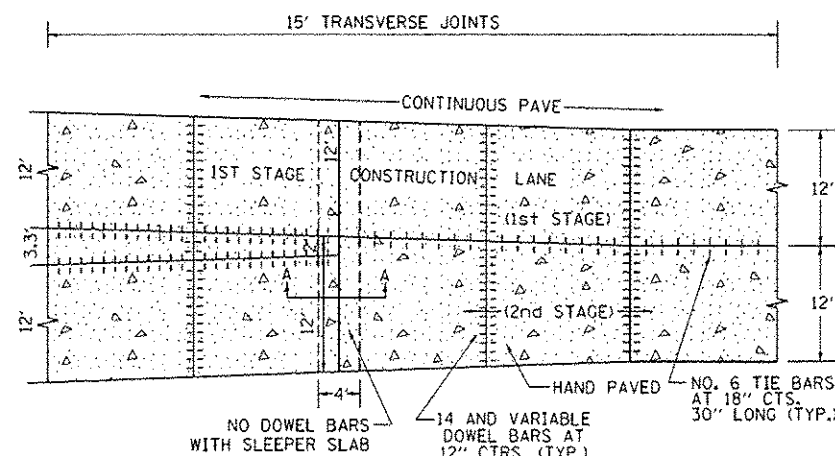


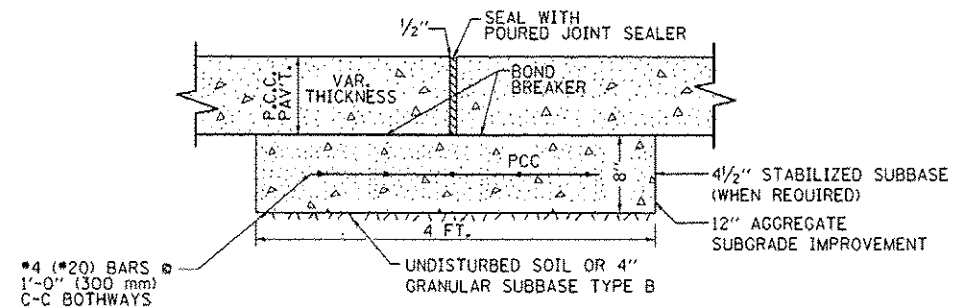
# LANE REDUCTION WITH A CONTINUOUS PAVEMENT FOR 1ST STAGE WITH DEAD END JOINT OR SLEEPER SLAB



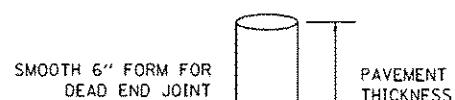
**PLAN**



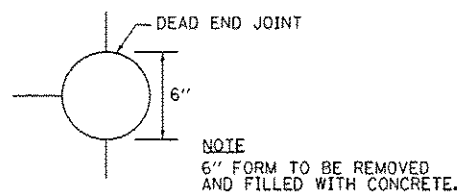
**PLAN**



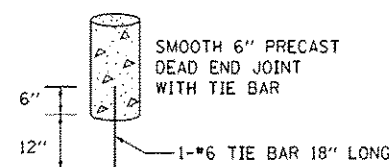
**PROPOSED SECTION A-A OF SLEEPER SLAB**



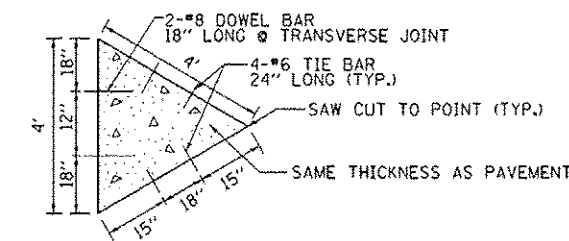
**DEAD END JOINT DETAIL  
SIDE VIEW**



**DEAD END JOINT DETAIL  
TOP VIEW**

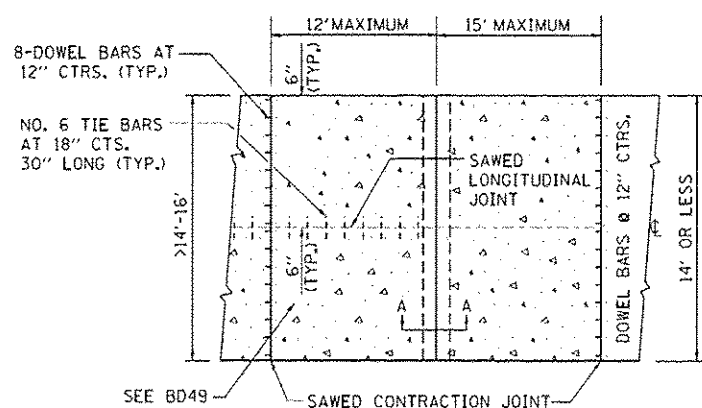


**DEAD END JOINT PRECAST DETAIL**

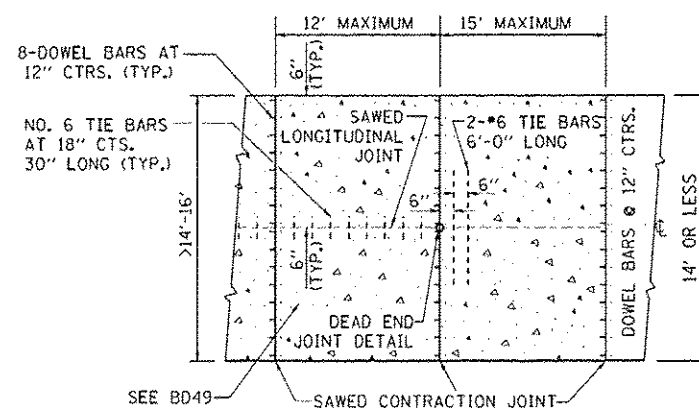


**SAW-CUT MERGE DETAIL**

## TRANSITION DETAILS FOR CENTERLINE SAW CUT FOR DEAD END JOINT OR SLEEPER SLAB FOR VARIABLE JOINTED PCC PAVEMENT FOR LANES OVER 14'

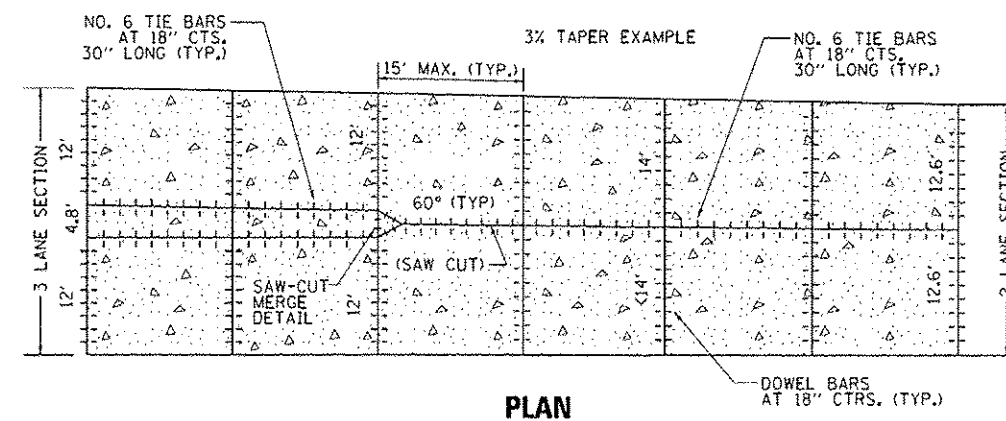


**PLAN USING SLEEPER SLAB**



**PLAN USING DEAD END JOINT**

## INTERIOR LANE REDUCTION FOR THREE LANE SECTION IN PCC PAVEMENT



**PLAN**

NOTES:

1. SAW-CUT MERGE DETAIL: THE 4' TRIANGLE SECTION COULD BE PRECAST OR CAST INPLACE AND PROPERLY PLACED WITH TIE BARS AND PROPERLY ALIGNED DOWEL BARS.
2. TRANSVERSE JOINT SPACING MAY DECREASE DEPENDING ON PAVEMENT THICKNESS BELOW 9.5". USE FORMULA JOINT SPACING IN (FT) = 2 X PAVEMENT THICKNESS IN (IN)-4.
3. USE SAW-CUT MERGE DETAIL IN SITUATIONS WHERE THERE IS NO STAGING.
4. DEAD END JOINTS WILL BE PAID FOR AT THE CONTRACT UNIT PRICE PER EACH FOR DEAD END JOINT. PRECAST DEAD END JOINT SET IN PLACE WITH DRILLED HOLE INTO SUBBASE/SUBGRADE FOR #6 TIE BAR.
5. SLEEPER SLAB WILL BE PAID FOR AT THE CONTRACT UNIT PRICE PER FOOT FOR SLEEPER SLAB.

FILE NAME - bd53.dgn	USER NAME - drivkasgn	DESIGNED - TGM, EAJ	REVISED - CADD 05-02-12	<b>STATE OF ILLINOIS DEPARTMENT OF TRANSPORTATION</b>	<b>DETAIL OF VARIOUS TYPES OF LANE REDUCTION FOR PCC PAVEMENT</b>		F.A.P. RTE.	SECTION	COUNTY	TOTAL SHEETS	SHEET NO.
	PLOT SCALE - 5/8"=1'-0" / in.	CHECKED - JD	REVISOR -		REVISOR -	575	14-N	WILL	163	108	
PLOT DATE - 5/4/2012	DATE - 03/07/12	REVISOR -	REVISOR -	SCALE: NONE	SHEET NO. 1 OF 1 SHEETS	STA. TO STA.	ILLINOIS FED. AID PROJECT CONTRACT NO. 60W13				