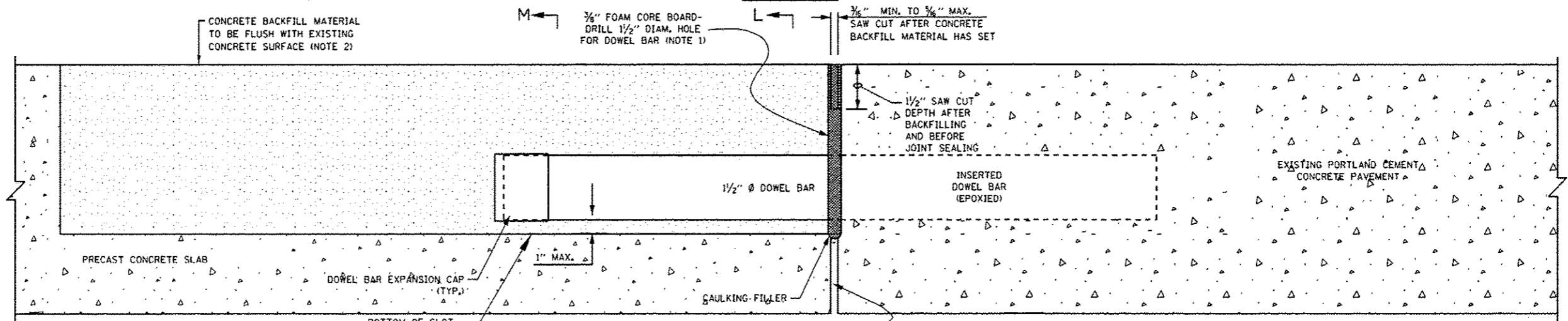
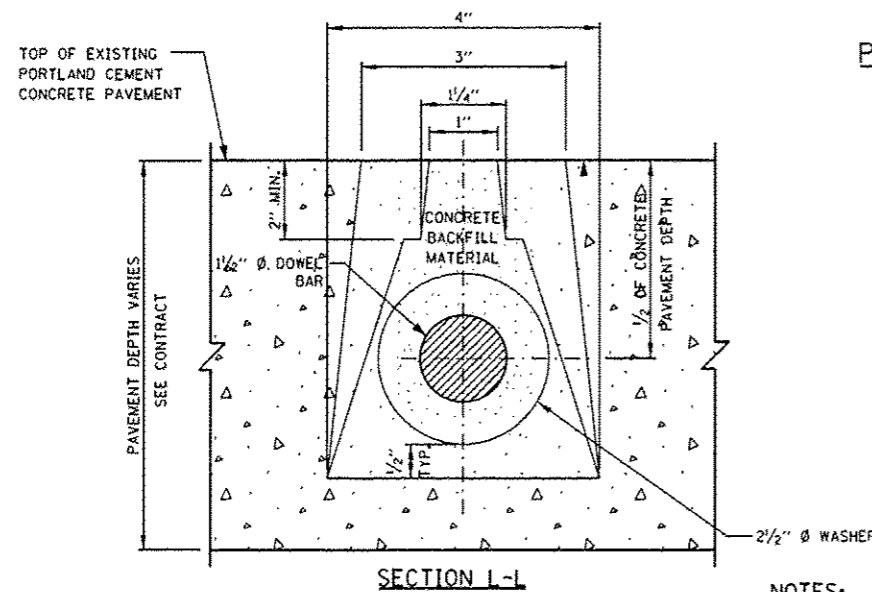


PLAN VIEW

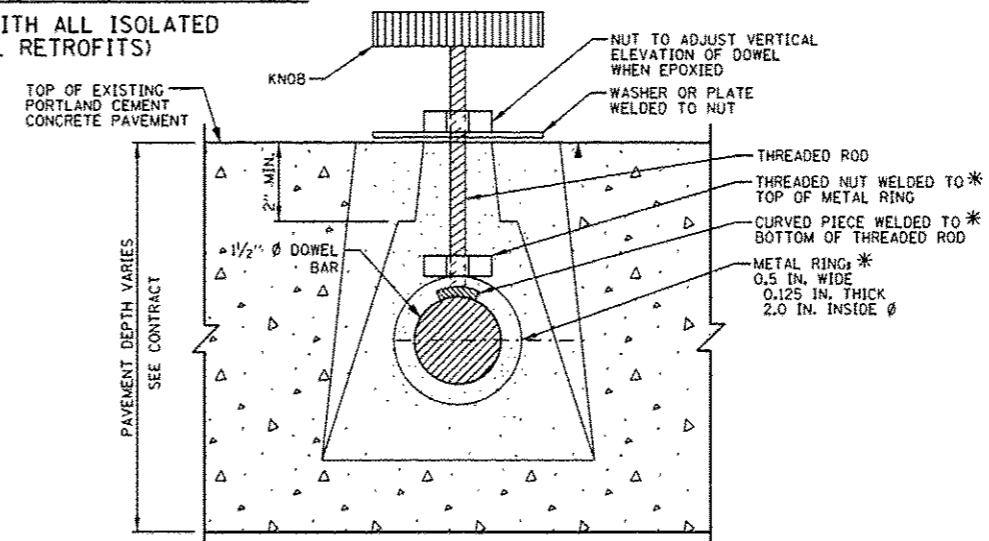


SECTION G-G

**DETAIL G - NARROW MOUTH DOWEL BAR
PLACEMENT DETAIL FOR ISOLATED PRECAST PANELS
(FOR OPTIONAL APPLICATION WITH ALL ISOLATED
SLABS IN PLACE OF FULL RETROFITS)**



SECTION L-L



SECTION M-M
CLAMP DETAIL FOR SLIDING DOWEL BAR SLOTS

- NOTES:**
1. PLACE FOAM CORE BOARDS TO THE TOP OF PATCH.
 2. UPON COMPLETION, THE FINISHED SURFACE OF THE CONCRETE BACKFILL MATERIAL SHALL NOT BE BELOW EXISTING CONCRETE SURFACE.

FILE NAME #	USER NAME = PencoPL	DESIGNED - O. PATEL	REVISED -	STATE OF ILLINOIS DEPARTMENT OF TRANSPORTATION	PRECAST CONCRETE PAVEMENT SLABS			F.A.P. RTE.	SECTION	COUNTY	TOTAL SHEETS	SHEET NO.
es:\p\planprep\sq\quad_2\des\pp\68x96_11	la\gonquin\rd\diamond\grinding\pcc_patch	DRAWN - precast PCC Patching.dgn	REVISED -		575	14-N	WILL	163	126			
PLOT SCALE = 100.0000' / 1"	CHECKED -	REVISED -	REVISED -		BD 57				CONTRACT NO. 60W13			
PLOT DATE = 12/16/2013	DATE = 10-25-2013	REVISED -	REVISED -		SCALE: NONE	SHEET NO. 17 OF 19 SHEETS	STA.	TO STA.	FED. ROAD DIST. NO. 1 ILLINOIS FED. AID PROJECT			