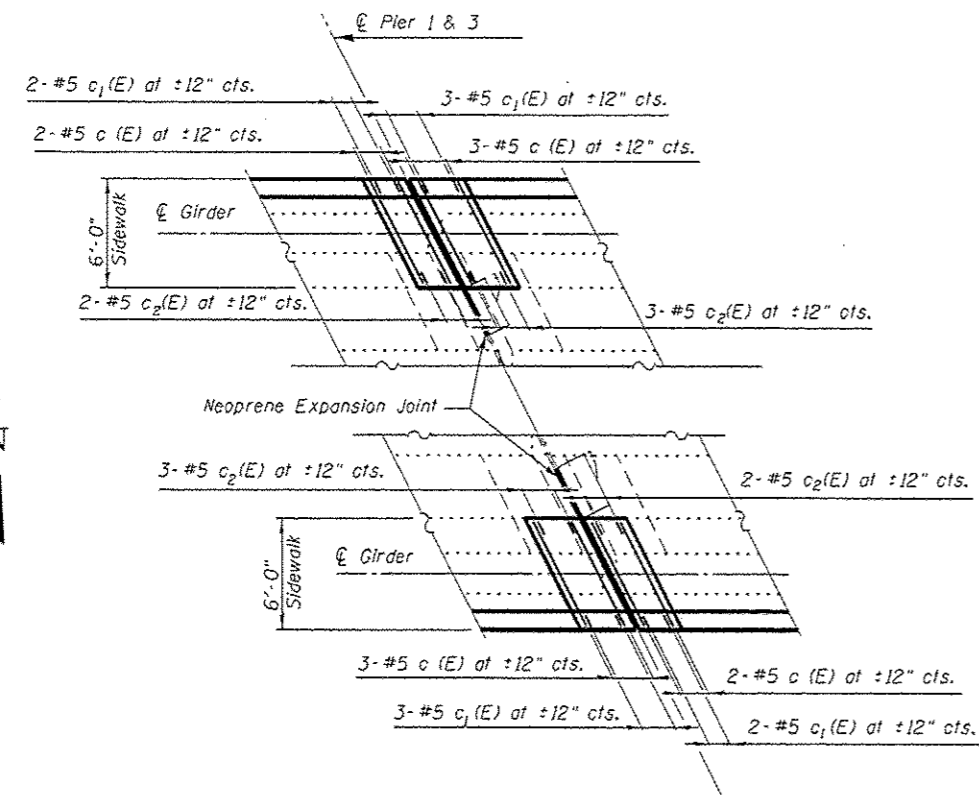
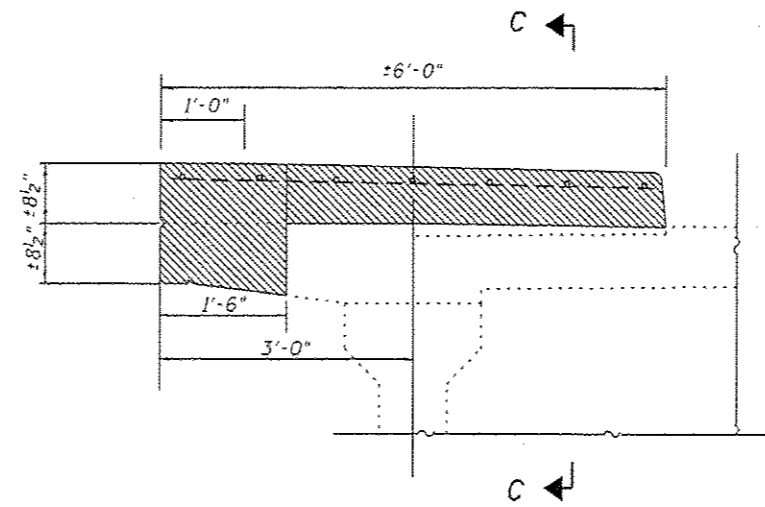


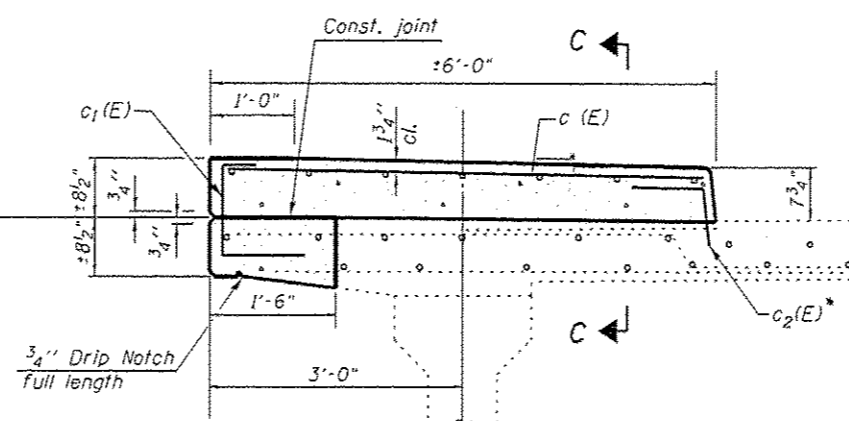
DETAIL A - EXISTING



DETAIL A - PROPOSED



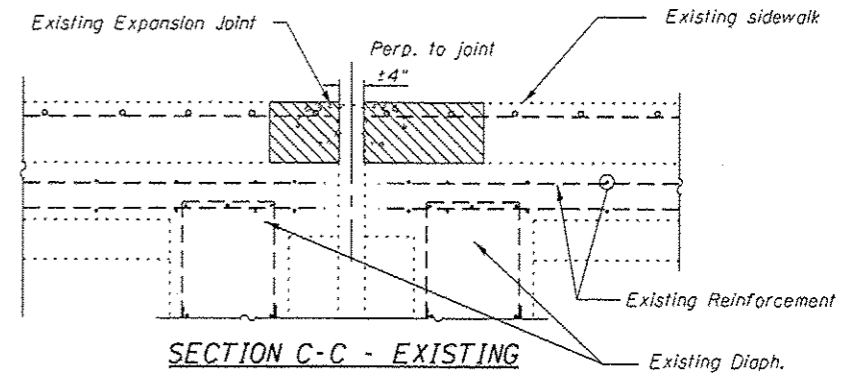
SECTION B-B - EXISTING



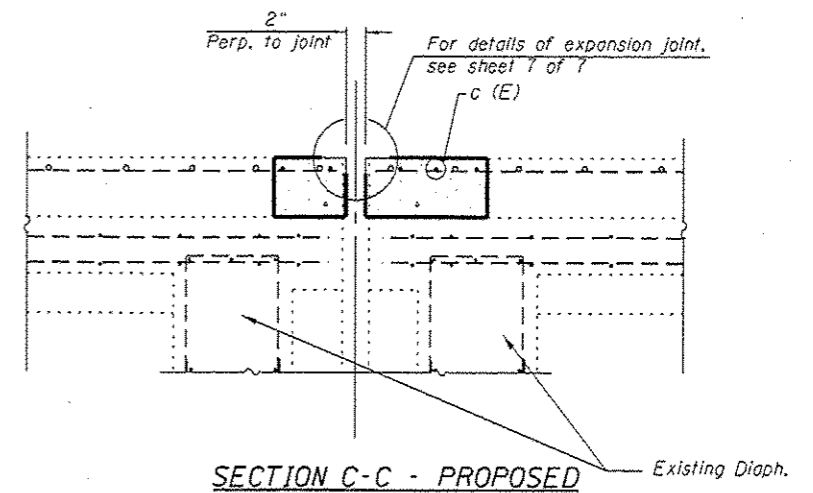
SECTION B-B - PROPOSED

Concrete Removal

* Epoxy grouted bars in accordance with article 584 of the Standard Specs. Cost included with Reinforcement Bars, Epoxy Coated.



SECTION C-C - EXISTING



SECTION C-C - PROPOSED

DESIGNED - RAD (1/21/14)	EXAMINED - <i>Trinity A. Aest</i>	DATE - 3/13/14
CHECKED - AM (1/21/14)	ENGINEER OF STRUCTURAL SERVICES	
DRAWN -	PASSED -	REVISOR -
CHECKED -	ENGINEER OF BRIDGES AND STRUCTURES	REVISOR -

STATE OF ILLINOIS
DEPARTMENT OF TRANSPORTATION

JOINT REPLACEMENT AT SIDEWALK
STRUCTURE NO. 022-2002

F.A.U. RTE. 1453	SECTION T-6-23-1-2	COUNTY	TOTAL SHEETS 19	SHEET NO. 6
SHEET NO. 3 OF 7 SHEETS			CONTRACT NO. 60W58	
ILLINOIS FED. AID PROJECT				