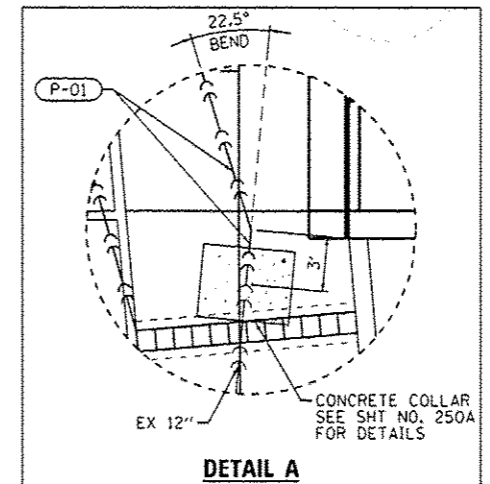


NOTE:
 PRIOR TO THE START OF CONSTRUCTION, CDWM INTENDS TO INSTALL ADDITIONAL VALVE BASINS, MANHOLES, AND FIRE HYDRANTS ALONG THE SOUTH SIDE OF HARRISON STREET BETWEEN THE DRIVEWAYS INTO CERMAK PUMPING STATION. THESE STRUCTURES WILL BE PART OF A WATER MAIN AND VALVE REPLACEMENT AND ARE NOT DEPICTED ON THIS SHEET OR ELSEWHERE IN THESE PLANS. STRUCTURES ARE ASSUMED TO BE INSTALLED TO PROPOSED FINAL GRADES AS SHOWN IN THESE PLANS.

LEGEND

ADJ	TO BE ADJUSTED
ADJ-BY OTHERS	TO BE ADJUSTED (BY OTHERS)
RSP	TO BE RECONSTRUCTED (SPECIAL)
R	TO BE REMOVED
F	TO BE FILLED



NOTES:
 1. SEE LIGHTING AND ITS PLANS FOR REMOVAL AND CONSTRUCTION OF STRUCTURES, DUCTBANKS AND CONDUITS.



D166W71-ent-Drawn-02
 USER NAME: chiu
 PLOT SCALE: 28,0000' / 1" = 28000'
 PLOT DATE: 4/3/2014

DESIGNED - AFC/MSC	REVISED - 04/03/2014
DRAWN - AFC/MSC	REVISED -
CHECKED - EET/DBM	REVISED -
DATE - 02/19/14	REVISED -

STATE OF ILLINOIS
 DEPARTMENT OF TRANSPORTATION

**DRAINAGE AND UTILITY PLAN
 AT CERMAK PUMPING STATION**

SCALE: 1" = 10' SHEET 1 OF 1 SHEETS STA. TO STA.

SECTION	COUNTY	TOTAL SHEET NO.
2013-036R	COOK	296 49
CONTRACT NO. 60W71		

FILE PATH: s:\proj\388029\point\leecoonline\local\p\AECOM\Documents\6182099138_Cermak\Phase 1\0308_CAD\0308_Roadwork\Sheet\60W71-sh-1-plan-02