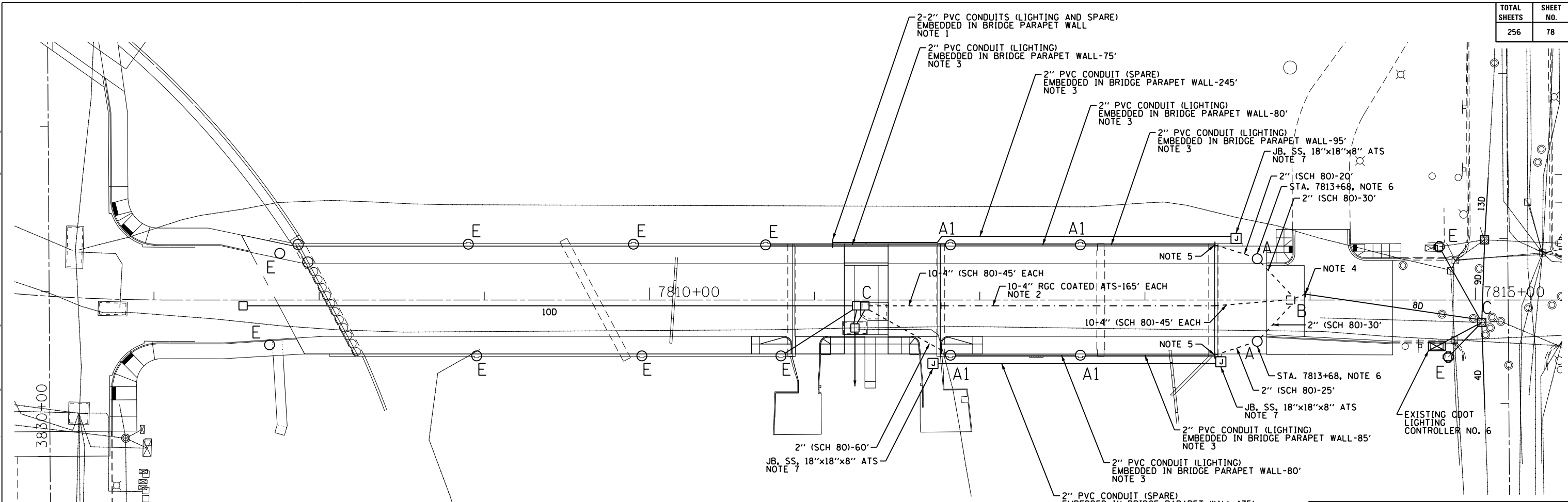


c:\pwworking\aecom00\myersc\d0257059\DIGOW71-sht-Light-06.dgn 12/18/2013 7:39:04 AM



"A" PROVIDE 24"x7", 1-1/4" A.R., 15" B.C. FOUNDATION FOR LIGHT POLE, PER DWG. NOS. 818 AND 837.

"A1" LIGHT POLE FOUNDATION IS INTEGRAL TO THE BRIDGE STRUCTURE PARAPET WALL. SEE STRUCTURAL PLANS FOR DETAILS AND FINAL LOCATION OF FOUNDATION.

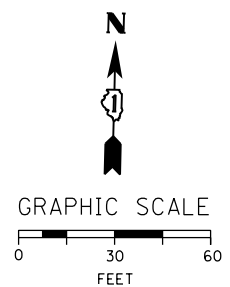
"B" PROVIDE 3'x4'x4' CONCRETE MANHOLE PER DWG. NO. 729 WITH 30" FRAME AND COVER PER DWG. NO. 874.

"C" DRILL EXISTING MANHOLE/HANDHOLE.

"E" EXISTING TO REMAIN.

NOTES:

- INTERCEPT EXISTING LIGHTING AND SPARE CONDUITS EMBEDDED IN PARAPET WALL AND CONNECT TO NEW LIGHTING CONDUIT.
- PROVIDE TEN 4-INCH RIGID GALVANIZED STEEL PVC COATED CONDUITS ATTACHED TO STRUCTURE. THE CONDUITS SHALL BE MOUNTED UNDER THE BRIDGE DECK. SEE STRUCTURAL PLANS FOR LOCATION OF CONDUITS.
- PROVIDE TWO 2-INCH SCHEDULE 40 PVC CONDUITS IN BOTH BRIDGE PARAPET WALLS; ONE FOR THE LIGHTING CIRCUITS AND ONE SPARE FOR IDOT. SEE STRUCTURAL PLANS FOR LOCATION OF CONDUITS.
- INTERCEPT EXISTING CITY CONDUITS (8 DUCT) AND CONNECT TO NEW CONDUITS ROUTED TO PROPOSED MANHOLE.
- SEE EMBEDDED BRIDGE CONDUIT DETAIL-A ON DRAWING NO. E-11 FOR CONDUIT EXITING PARAPET WALL INSTALLATION DETAILS.
- INSTALL LIGHT POLE FOUNDATION IN THE SIDEWALK 3 FEET FROM FACE OF CURB TO CENTER OF FOUNDATION.
- SEE EMBEDDED BRIDGE CONDUIT DETAIL-B ON DRAWING NO. E-11 FOR CONDUIT EXITING PARAPET WALL INSTALLATION DETAILS.



FOR LIGHTING CABLE AND EQUIPMENT INSTALLATION PLANS SEE DRAWING NO. E-07.

FOR LIGHTING REMOVAL PLANS SEE DRAWING NO. E-08.

CITY OF CHICAGO DEPARTMENT OF TRANSPORTATION DIVISION OF ENGINEERING		
AECOM		
WORK ORDER NO. _____	DATE _____	
COST ALLOCATION ACCOUNT _____		
APPROPRIATION ACCOUNT _____	MATERIAL _____ LABOR _____	
EAST HARRISON STREET LIGHTING CONDUIT AND FOUNDATION PLAN		
CITY OF CHICAGO DEPT. OF TRANSPORTATION DIVISION OF ELECTRICAL OPERATIONS		
DRAFTSMAN: CAM	CHIEF DRAFTSMAN: WDS	ENGINEER: WDS
SUPERVISING ENGINEER/ELEC. DESIGN ENGR. WDS		E-06
ENGINEER OF ELECTRICITY:		
GEN'L SUPT. OF ELECTRICITY:		
DEPUTY COMMISSIONER:		
SIZE: 22" 34"	SCALE: 1" = 30'	DATE: 12/06/13
DATE: 12/20/13		DWG. NO.: 6 OF 19
C.D.O.T. PROJECT NO.:		