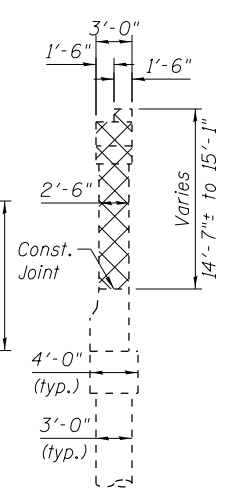
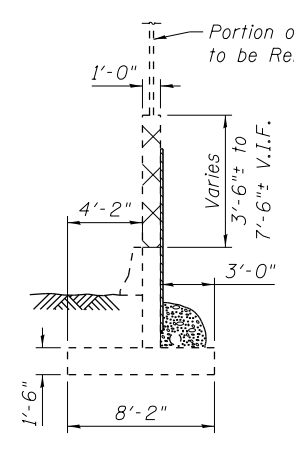


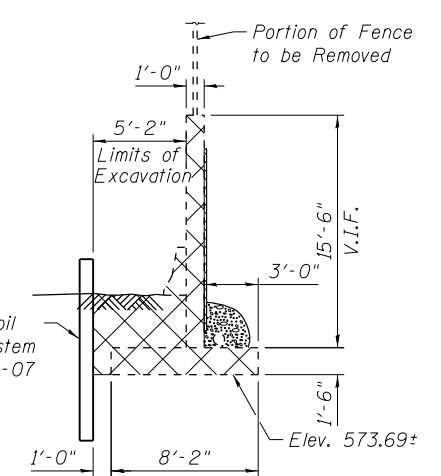
PIER 2 ELEVATION
(Looking East)



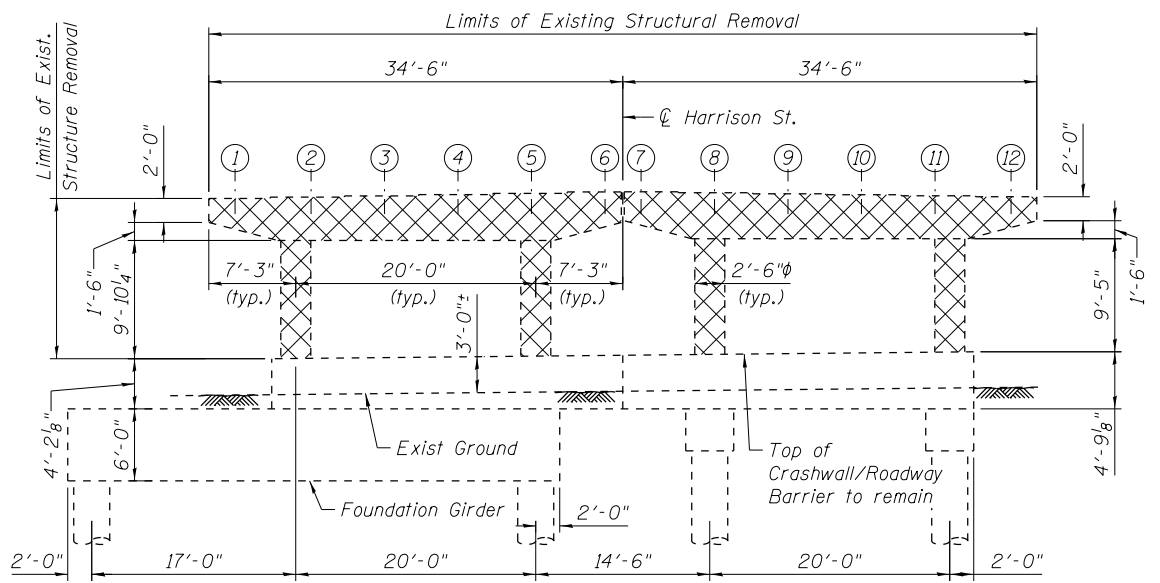
SECTION A-A



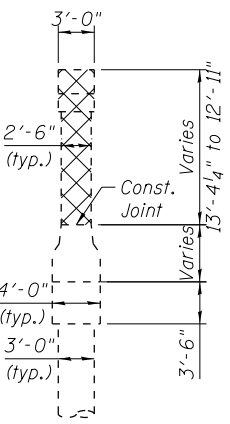
SECTION B-B



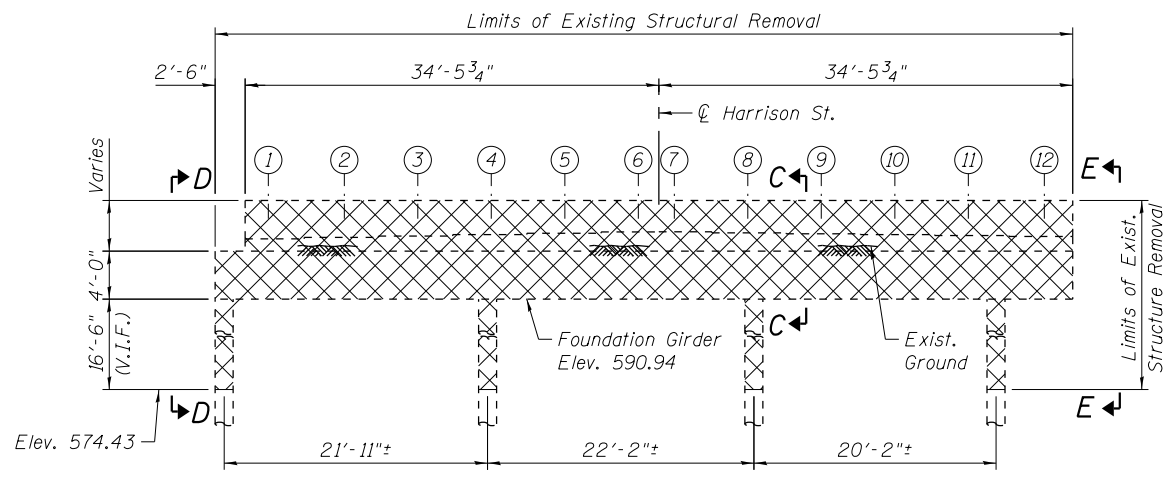
SECTION F-F



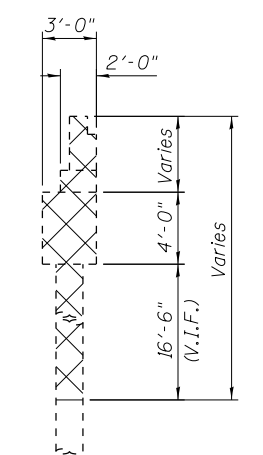
PIER 1 ELEVATION
(Looking East)



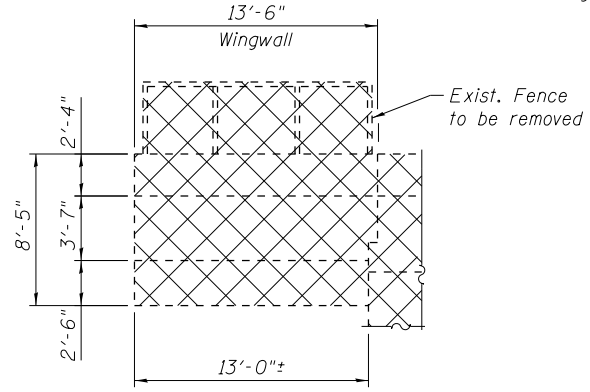
END VIEW



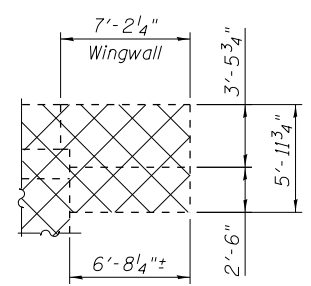
EAST ABUTMENT ELEVATION
(Looking East)



SECTION C-C



SECTION D-D



SECTION E-E

NOTES:

1. Work this sheet with sheets S-04 and S-06.
2. See Civil Plans for Existing Roadway Barrier Removal under structure, along ramps and I-90/94.
3. V.I.F. indicates Verify In Field.

LEGEND:

- Removal of Existing Structures
- Existing Beam Numbers



USER NAME = kritz	DESIGNED - EJO	REVISED
PLOT SCALE = N.T.S.	CHECKED - DD	REVISED
PLOT DATE = 12/19/2013	DRAWN - BRD	REVISED
	CHECKED - DD	REVISED

STATE OF ILLINOIS
DEPARTMENT OF TRANSPORTATION

EXISTING STRUCTURAL REMOVAL (2 of 3)
STRUCTURE NO. 016-1711

F.A.I. R.T.E. 90/94/290	SECTION 2013-036R	COUNTY COOK	TOTAL SHEETS 256	SHEET NO. 97
CONTRACT NO. 60W71				ILLINOIS FED. AID PROJECT -NUMBER-

0161711-60W71-S05-Removal