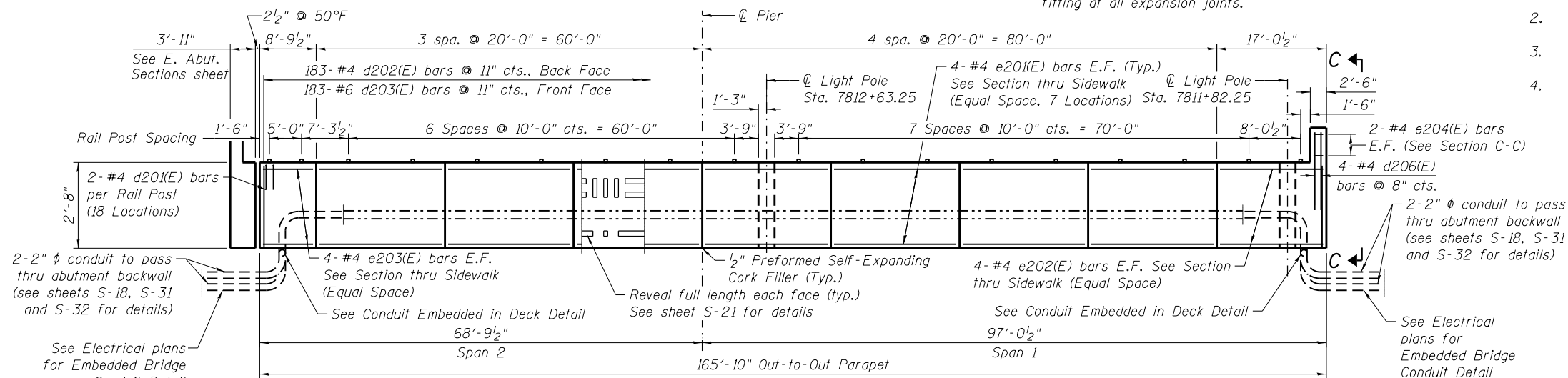


INSIDE ELEVATION OF NORTH PARAPET

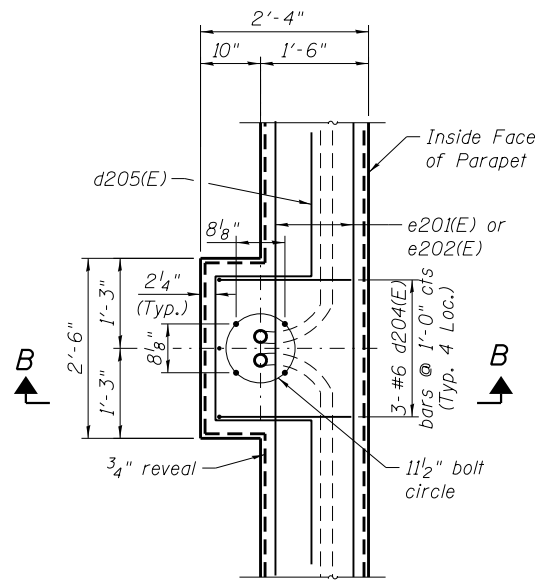
(Facing North)

* Provide conduit expansion/deflection fitting at all expansion joints.



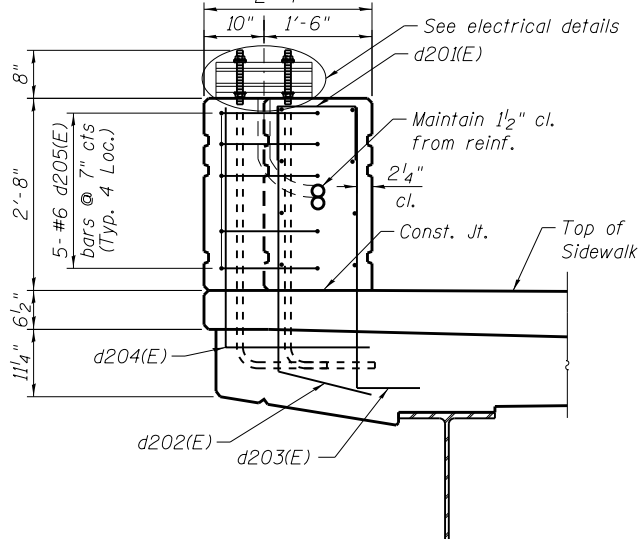
INSIDE ELEVATION OF SOUTH PARAPET

(Facing South)

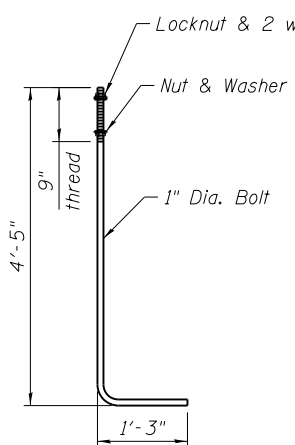


PLAN

PARAPET DETAIL AT LIGHTPOLE

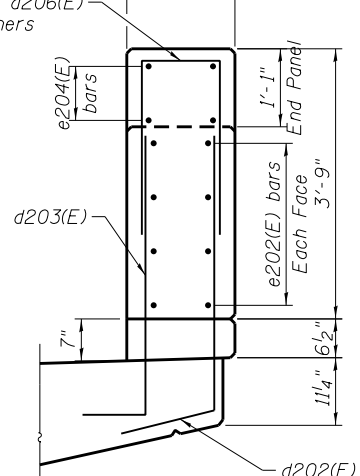


SECTION B-B

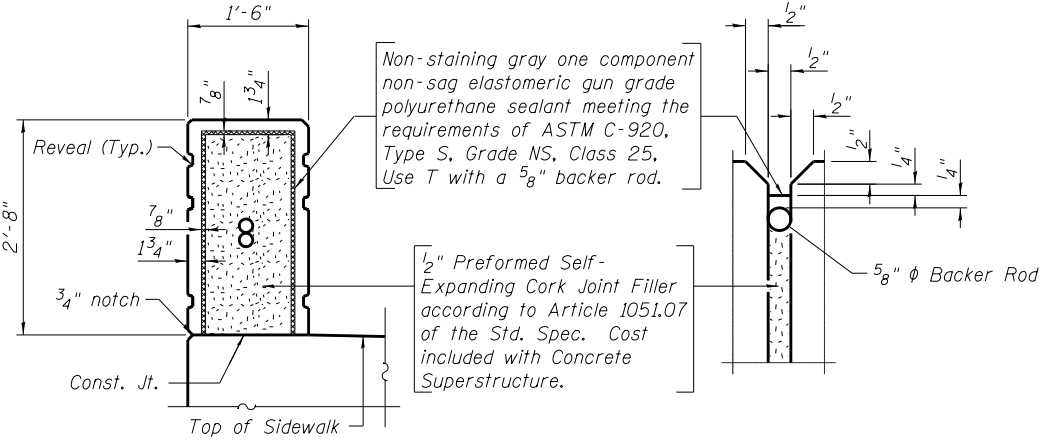


ANCHOR ROD

Cost of anchor rods is included with Concrete Superstructure. (ASTM F 1554 Grade 105) Full length hot dipped galvanized



SECTION C-C



PARAPET JOINT DETAILS

NOTES:

1. Contractor to provide expansion/deflection conduit fittings at all structural expansion joints. See lighting plans for expansion/deflection fitting installation details.
2. Work this sheet with S-18 and S-20.
3. See sheet S-21 for additional rail details.
4. Decorative Rail Parapet Mounted is continuous in front of light poles.

0161711-60W71-S19-Parapet



USER NAME = dunkerleyb	DESIGNED - DEV	REVISED
PLOT SCALE = N.T.S.	CHECKED - DD	REVISED
PLOT DATE = 12/17/2013	DRAWN - DEV	REVISED
	CHECKED - DD	REVISED

**STATE OF ILLINOIS
DEPARTMENT OF TRANSPORTATION**

**PARAPET ELEVATIONS
STRUCTURE NO. 016-1711**

SHEET NO. S-19 OF S-47 SHEETS

F.A.I. R.E. 90/94/290	SECTION 2013-036R	COUNTY COOK	TOTAL SHEETS 256	SHEET NO. 111
CONTRACT NO. 60W71			ILLINOIS FED. AID PROJECT -NUMBER-	