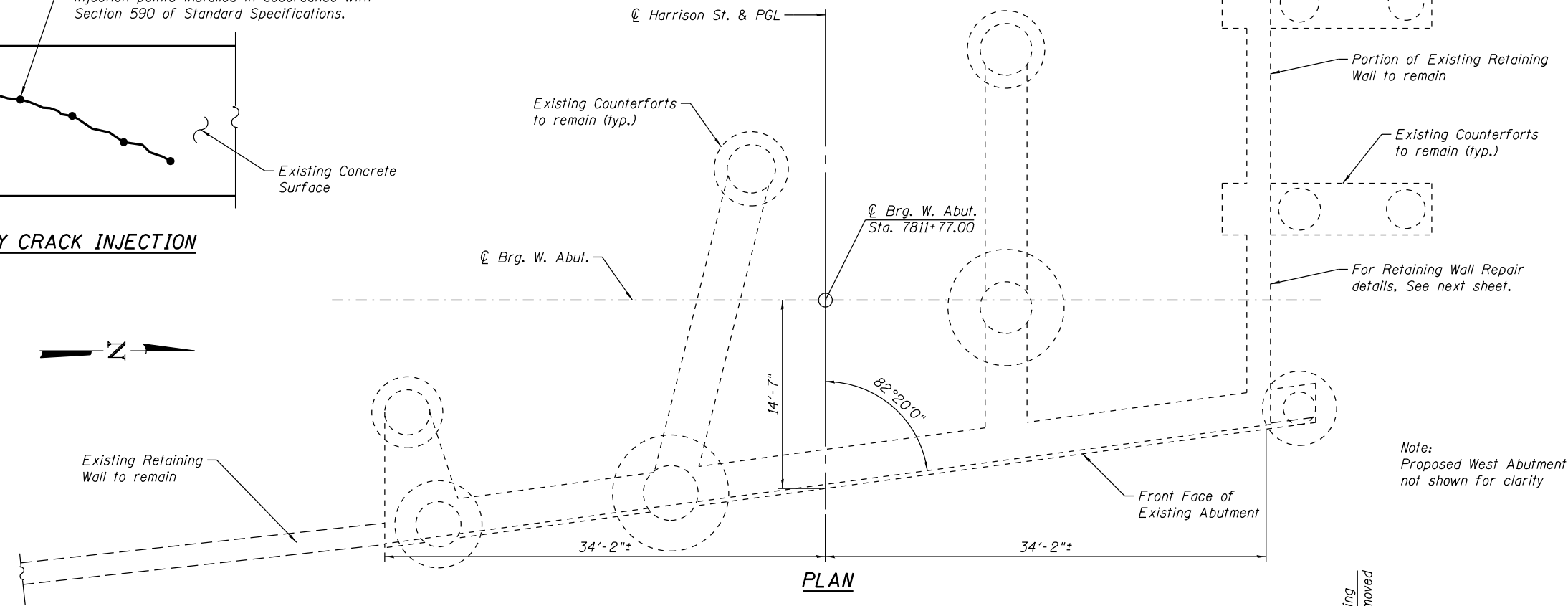
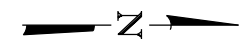
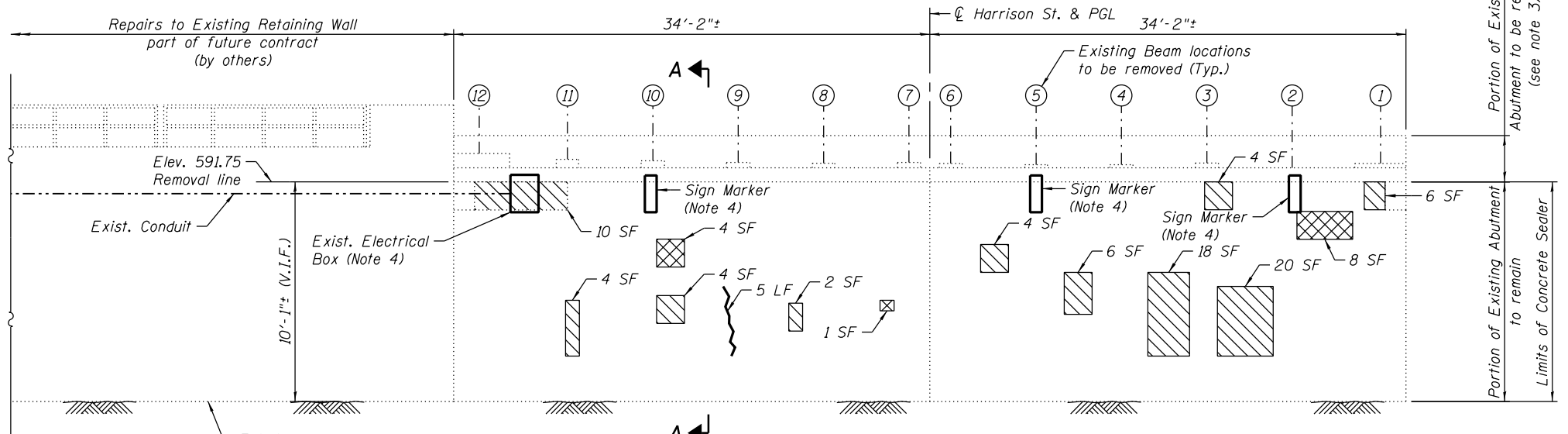


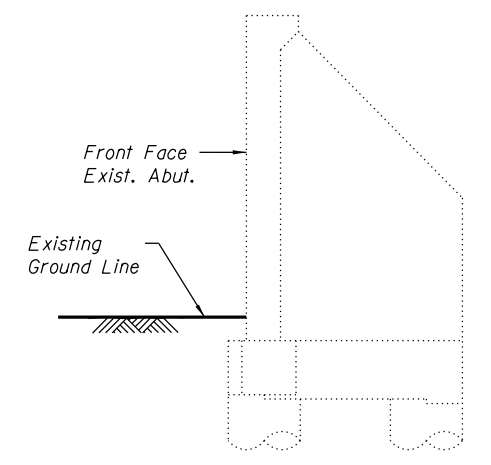
EPOXY CRACK INJECTION



PLAN



ELEVATION
(Looking West)



SECTION A-A

LEGEND

- Epoxy Crack Injection
- Area of Structural Repair of Concrete (depth equal to or less than 5")
- Area of Structural Repair of Concrete (depth greater than 5")

NOTES:

1. Deck and superstructure not shown for clarity.
2. Concrete sealer shall be applied to front face of existing abutment.
3. For Removal Details see sheets S-04 thru S-06.
4. Sign Markers, Conduit, and Electrical Boxes attached to face of abutment are to be removed prior to repair work.

BILL OF MATERIAL

Item	Unit	Quantity
Concrete Sealer	Sq. Ft.	690
Epoxy Crack Injection	Foot	5
Structural Repair of Concrete (depth equal to or less than 5")	Sq. Ft.	78
Structural Repair of Concrete (depth greater than 5")	Sq. Ft.	13

0161711-60W71-S33-Abutment



USER NAME = dabez1cd	DESIGNED - EJO	REVISED
	CHECKED - DEV	REVISED
PLOT SCALE = N.T.S.	DRAWN - BRD	REVISED
PLOT DATE = 2/19/2014	CHECKED - DEV	REVISED

STATE OF ILLINOIS
DEPARTMENT OF TRANSPORTATION

WEST ABUTMENT REPAIR DETAILS (1 OF 2)
STRUCTURE NO. 016-1711

SHEET NO. S-33 OF S-47 SHEETS

F.A.I. RTE. 90/94/290	SECTION 2013-036R	COUNTY COOK	TOTAL SHEETS 256	SHEET NO. 125
CONTRACT NO. 60W71			ILLINOIS FED. AID PROJECT -NUMBER-	