

SECTION THRU DRILLED SOLDIER PILE WALL

TABLE 1

Pile	Elev. A	Length B
1	591.76	68'-10"
2	587.85	64'-11"
3	586.85	63'-11"
4	585.76	62'-10"
5	584.76	61'-11"

Note A
The Contractor is responsible for the design and performance of the lagging system, using no less than a 3 in. nominal rough-sawn thickness and timber with a minimum allowable bending stress of 1000 psi, until the concrete facing is installed. Cost included with Untreated Timber Lagging.

SECTION F-F

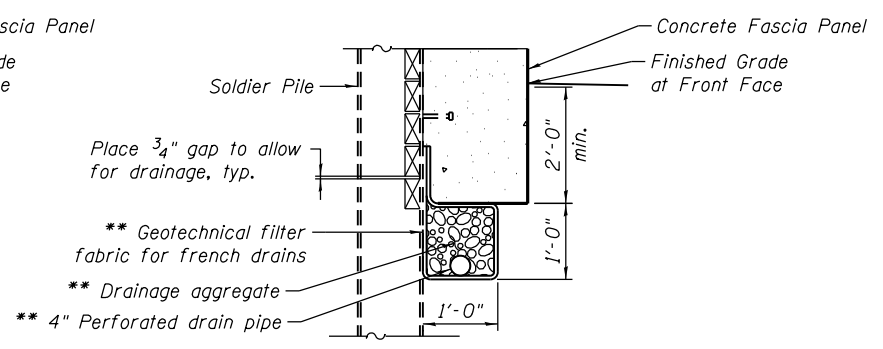
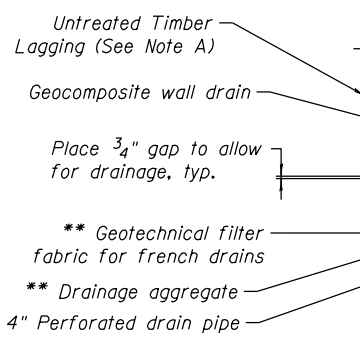
NOTES:

1. See Sheet S-38 for Fence Details and for the Suggested Sequence of Construction, Drilled Soldier Pile Wall.

*** Contractor may need to increase the casing thickness to withstand the installation process. See Article 516.06(d) of the Standard Specifications.

Note B:

When structure excavation is necessary to place a concrete facing, it shall be made and paid for according to Section 502 except that the horizontal limits for the structure excavation shall be from the face of the soldier pile to a vertical plane 2 ft. from the finished face of the wall. The depth shall be from the top of the original ground surface to the bottom of the concrete facing.



BETWEEN SOLDIER PILES

AT SOLDIER PILES

UNDERDRAIN DETAIL FOR SOLDIER PILE WALLS

** Included in the cost of Pipe Underdrains for Structures.

0161711-60W71-S37-Abutment



USER NAME = dabez1cd	DESIGNED - DD	REVISED
PLOT SCALE = N.T.S.	CHECKED - DEV	REVISED
PLOT DATE = 3/19/2014	DRAWN - BRD	REVISED
	CHECKED - DEV	REVISED

**STATE OF ILLINOIS
DEPARTMENT OF TRANSPORTATION**

**SOLDIER PILE AND LAGGING WALL SECTIONS
STRUCTURE NO. 016-1711**

SHEET NO. S-37 OF S-47 SHEETS

F.A.I. RTE. 90/94/290	SECTION 2013-036R	COUNTY COOK	TOTAL SHEETS 256	SHEET NO. 129
CONTRACT NO. 60W71			ILLINOIS FED. AID PROJECT -NUMBER-	