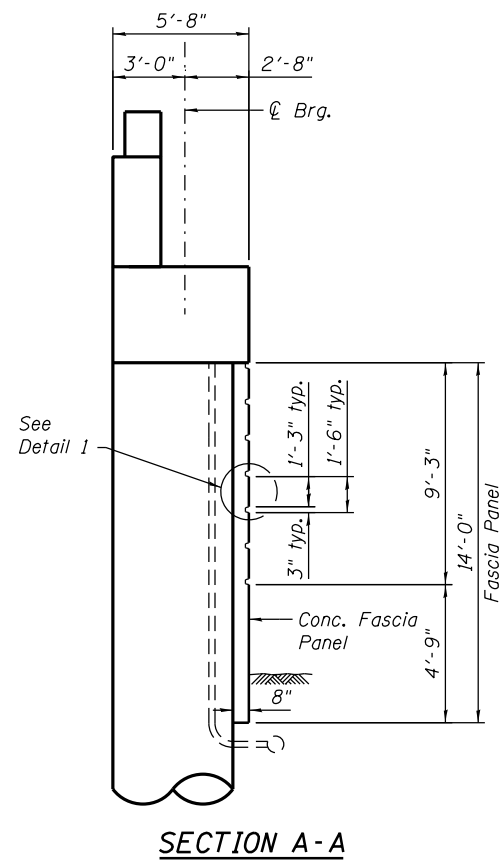
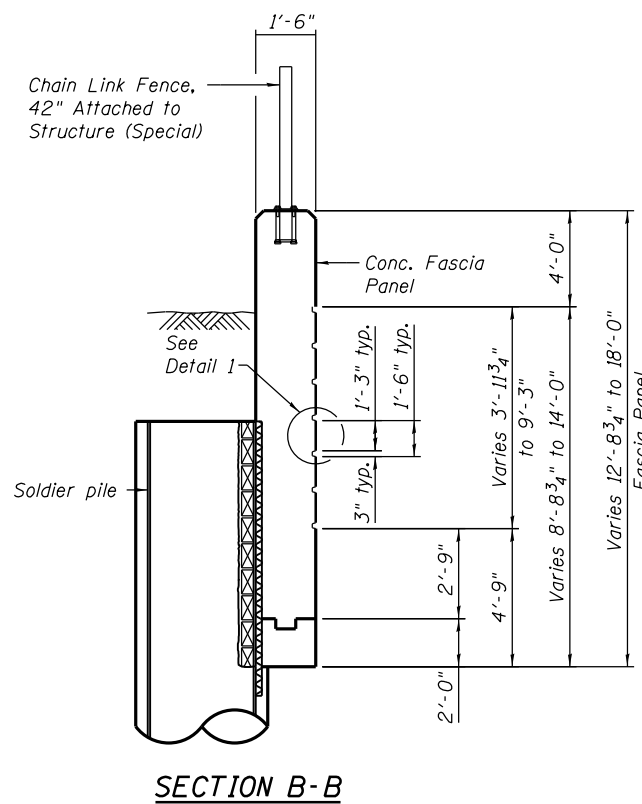


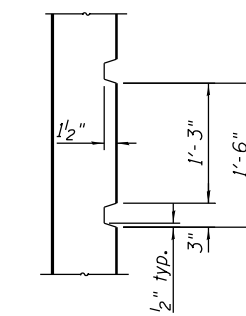
EAST ABUTMENT ELEVATION
(Looking East)



SECTION A-A



SECTION B-B



DETAIL 1

NOTES:

1. The 3" x 1/2" reveal in the fascia panel will not be paid separately and shall be included in the cost of the pay item Class SI Concrete Miscellaneous.

0161711-60W71-S40-Abutment



USER NAME = dabe2lcd	DESIGNED - EJO	REVISED
PLOT SCALE = N.T.S.	CHECKED - DEV	REVISED
PLOT DATE = 2/19/2014	DRAWN - BRD	REVISED
	CHECKED - DEV	REVISED

STATE OF ILLINOIS
DEPARTMENT OF TRANSPORTATION

EAST ABUTMENT ARCHITECTURAL DETAILS
STRUCTURE NO. 016-1711

SHEET NO. S-40 OF S-47 SHEETS

F.A.I. RTE. 90/94/290	SECTION 2013-036R	COUNTY COOK	TOTAL SHEETS 256	SHEET NO. 132
CONTRACT NO. 60W71			ILLINOIS FED. AID PROJECT -NUMBER-	