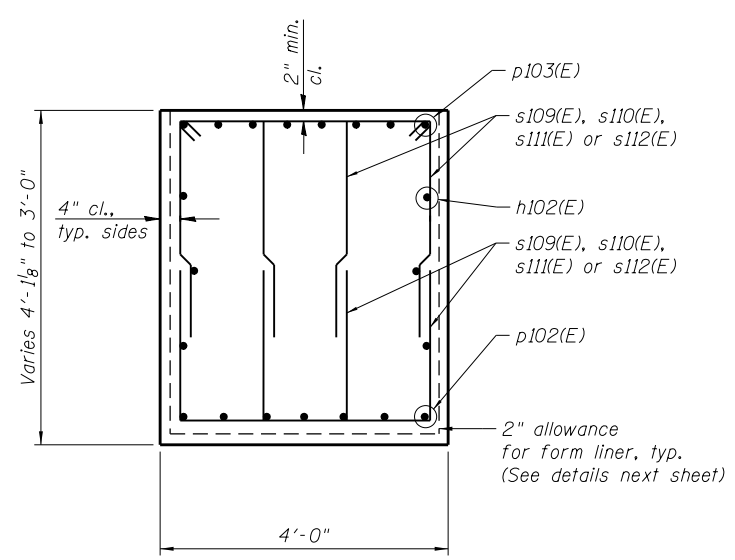
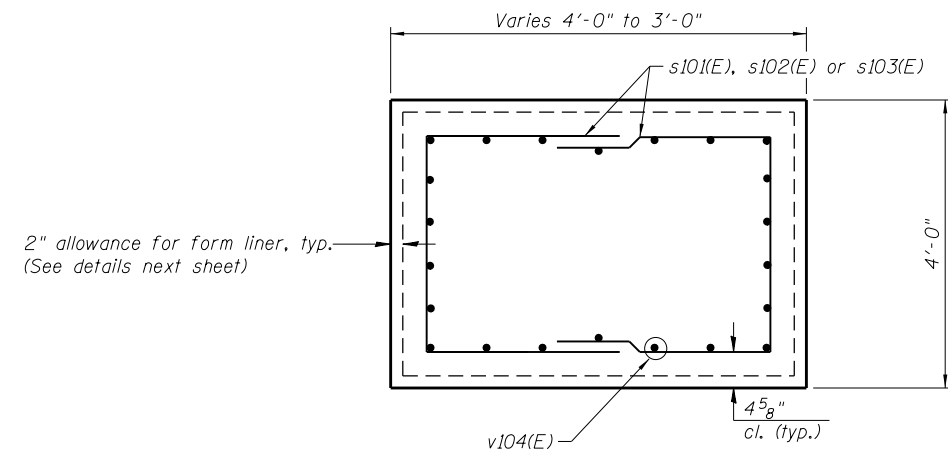


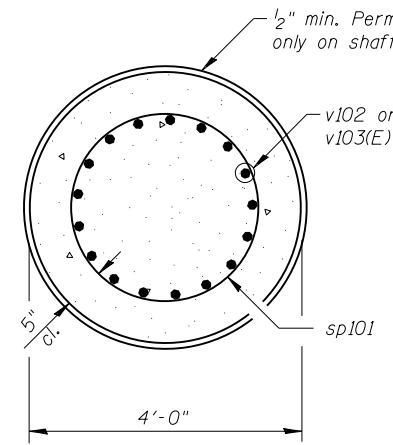
SECTION A-A



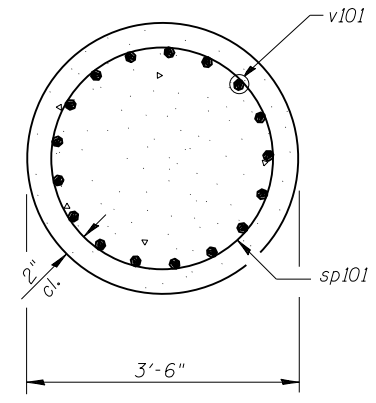
SECTION B-B



SECTION C-C



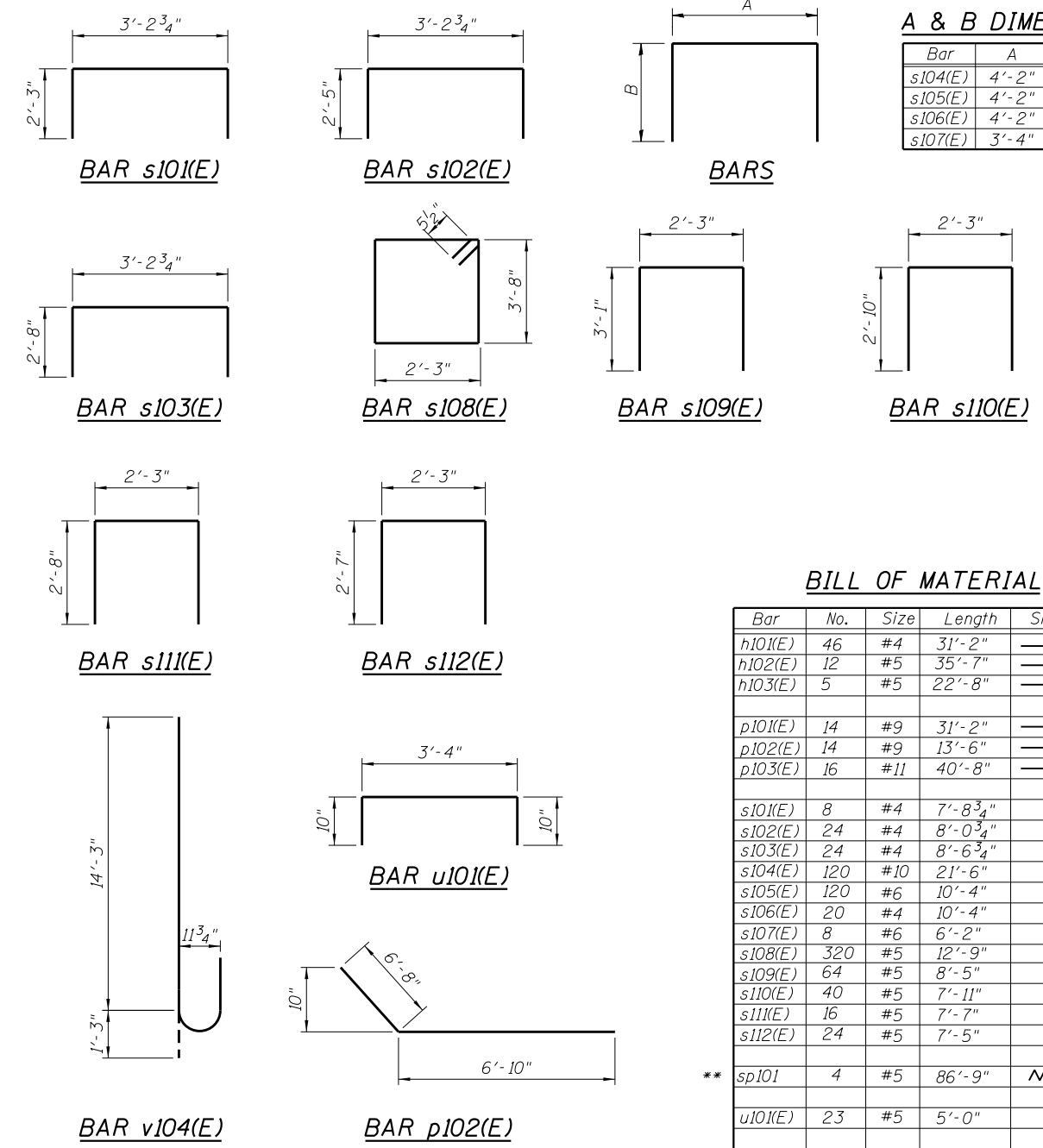
SECTION D-D



SECTION E-E

A & B DIMENSIONS

Bar	A	B
s104(E)	4'-2"	8'-8"
s105(E)	4'-2"	3'-1"
s106(E)	4'-2"	3'-1"
s107(E)	3'-4"	1'-5"



BILL OF MATERIAL

Bar	No.	Size	Length	Shape
h101(E)	46	#4	31'-2"	—
h102(E)	12	#5	35'-7"	—
h103(E)	5	#5	22'-8"	—
p101(E)	14	#9	31'-2"	—
p102(E)	14	#9	13'-6"	—
p103(E)	16	#11	40'-8"	—
s101(E)	8	#4	7'-8 3/4"	□
s102(E)	24	#4	8'-0 3/4"	□
s103(E)	24	#4	8'-6 3/4"	□
s104(E)	120	#10	21'-6"	□
s105(E)	120	#6	10'-4"	□
s106(E)	20	#4	10'-4"	□
s107(E)	8	#6	6'-2"	□
s108(E)	320	#5	12'-9"	□
s109(E)	64	#5	8'-5"	□
s110(E)	40	#5	7'-11"	□
s111(E)	16	#5	7'-7"	□
s112(E)	24	#5	7'-5"	□
** sp101	4	#5	86'-9"	⋈
u101(E)	23	#5	5'-0"	□
v101	68	#11	60'-0"	—
v102	68	#11	35'-6"	—
v103(E)	68	#11	22'-2"	—
v104(E)	88	#9	15'-6"	—
v105(E)	14	#10	8'-8"	—
Structure Excavation		Cu. Yd.	124	
Concrete Structures		Cu. Yd.	145	
Reinforcement Bars		Pound	41,710	
Reinforcement Bars Epoxy Coated		Pound	39,340	
Permanent Casing		Foot	84	
Drilled Shaft in Soil		Cu. Yd.	156	
Drilled Shaft in Rock		Cu. Yd.	5	
Concrete Sealer		Sq. Ft.	2,815	
Crosshole Sonic Logging		Each	1	

** Length is height of spiral.

0161711-60W71-S42-Pier



USER NAME = dunkerleyb	DESIGNED - EJO	REVISED
PLOT SCALE = N.T.S.	CHECKED - BMR	REVISED
PLOT DATE = 12/17/2013	DRAWN - BRD	REVISED
	CHECKED - DD	REVISED

STATE OF ILLINOIS
DEPARTMENT OF TRANSPORTATION

PIER DETAILS
STRUCTURE NO. 016-1711
SHEET NO. S-42 OF S-47 SHEETS

F.A.I. RTE. 90/94/290	SECTION 2013-036R	COUNTY COOK	TOTAL SHEETS 256	SHEET NO. 134
CONTRACT NO. 60W71			ILLINOIS FED. AID PROJECT -NUMBER-	