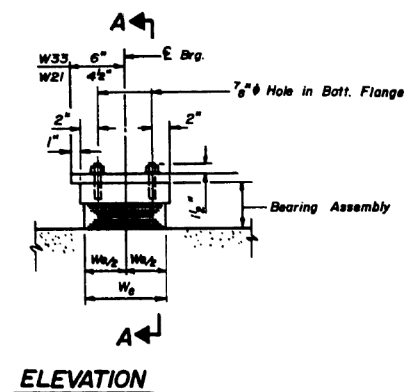


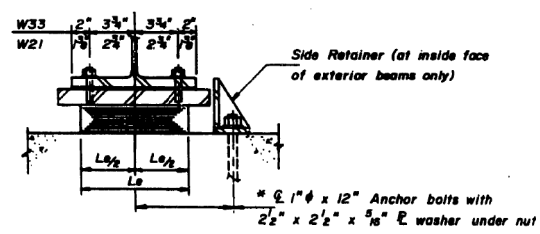
FOR INFORMATION ONLY

STATE OF ILLINOIS
DEPARTMENT OF TRANSPORTATION

SECTION AND SHEET NO.	SECTION	COUNTY	TOTAL SHEETS	SHEET NO.
90/94	8	COOK	79	55
STA.	TO STA.			
FED. PROJ. DIST. NO.	ILLINOIS	FED. AID PROJECT		



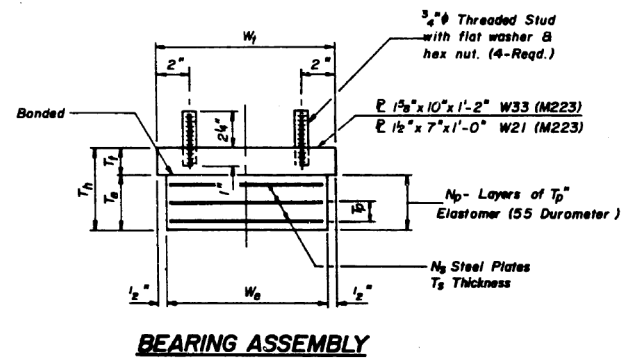
ELEVATION



SECTION A-A

TYPE I ELASTOMERIC EXP. BRG.

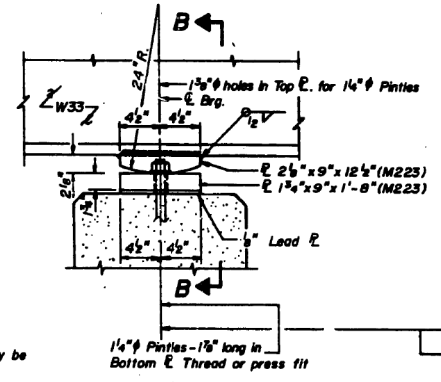
* Notes: Anchor bolts at fixed bearings may be built into the masonry.
See sheet # for Anchor Bolt installation.



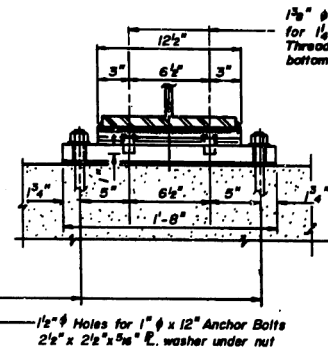
BEARING ASSEMBLY

Dimension Location	W _f	T ₁	W ₀	L ₀	T ₀	T _h	N _p	T _p	N _s	T _s
Bent F (W33)	10	1 1/2	9	12	2 1/2	3 1/2	5	1/2	4	3/8
Pier 2 (W33)	7	1 1/2	6	10	1 1/2	2 1/2	3	1/2	2	1/4

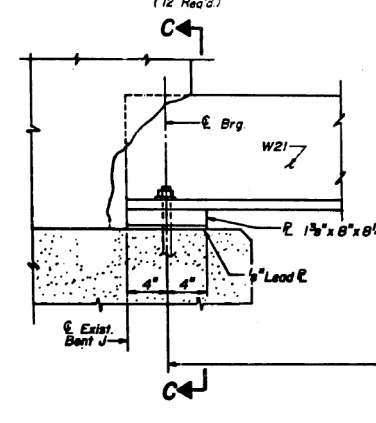
Note: All dimensions in inches except noted.



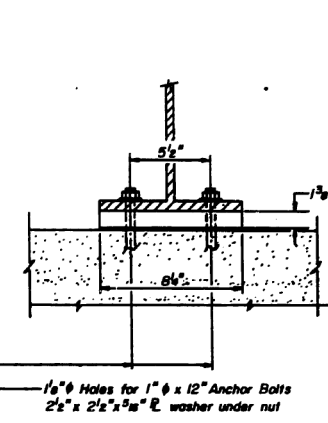
ELEVATION AT PIER-1
(12 Req'd.)



SECTION B-B

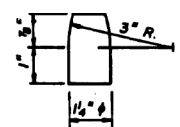


ELEVATION AT BENT J
(12 Req'd.)

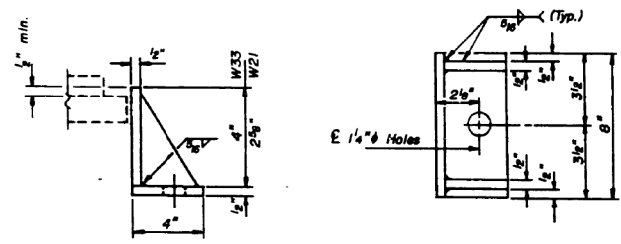


SECTION C-C

FIXED BEARING



PINTE



SIDE RETAINER

BILL OF MATERIAL

Item	Unit	Total
Elastomeric Bearing Assembly, Type I	Each	36

Note: All Structural Steel Shall Be M183 Unless Noted.

SHEET 5-11 OF 5-17

REVISIONS	
NAME	DATE

PLANS PREPARED BY
P.A. ENGINEERING ASSOCIATES, INC.
600 WEST JACKSON BLVD.
CHICAGO ILLINOIS, 60606

STATE OF ILLINOIS
DEPARTMENT OF TRANSPORTATION
F.A.I. ROUTE 90/94 (DAN RYAN EXPRESSWAY)
SECTION 1985-080 R - COOK COUNTY
HARRISON STREET OVER DAN RYAN EXPRESSWAY
BEARING DETAILS

Scale: None
Date: AUGUST 14, 1987
Checked By: S.D.D.
ENVIRODYNE ENGINEERS INC.
Chicago Illinois

D:\60W71-sht-AS-BUILT-14.dgn

USER NAME = dunkerleyb	DESIGNED -	REVISED -
PLOT SCALE = N.T.S.	CHECKED -	REVISED -
PLOT DATE = 11/26/2013	DRAWN -	REVISED -
	CHECKED -	REVISED -

STATE OF ILLINOIS
DEPARTMENT OF TRANSPORTATION

EXISTING AS-BUILTS SN 016-1088

SHEET NO. AS-14 OF AS-72 SHEETS

F.A.I. R.T.E.	SECTION	COUNTY	TOTAL SHEETS	SHEET NO.
90/94/290	2013-036R	COOK	256	156
				CONTRACT NO. 60W71
ILLINOIS FED. AID PROJECT -NUMBER-				