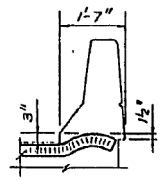
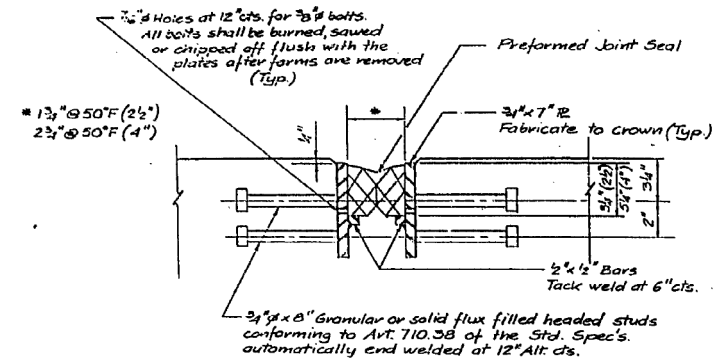


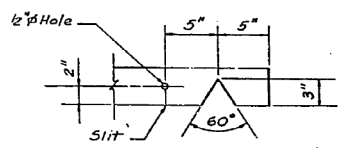
FOR INFORMATION ONLY

ROUTE NO.	SECTION	COUNTY	TOTAL SHEETS	SHEET NO.
80/84	4	COOK	79	78
F.I.A.				
TO STA.				
FED. RD. DIST. NO.	ALIGNMENT	FED. AID PROJECT		
1085-080 R				

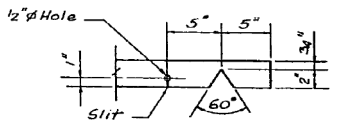


TYPICAL END OF SEAL TREATMENT

TYPICAL CROSS SECTION



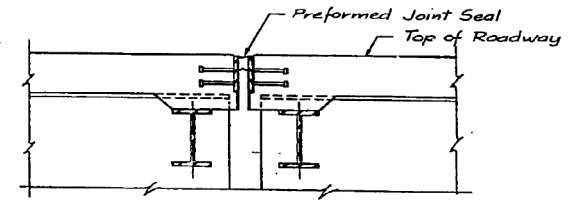
SEAL CUT-OUT (4")



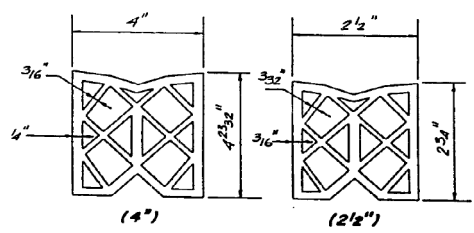
SEAL CUT-OUT (2 1/2")

Note:
Joint openings shall be adjusted in accordance with Article 503.07(c) of the Standard Specifications when the deck is poured at an ambient temperature other than 50°F.

⊙ Section Deleted



SECTION AT PREFORMED SEAL JOINT



PREFORMED JOINT SEAL

SHEET NO. 3 OF 8

REVISIONS	
Name	Date
Revision	8-22-88

STATE OF ILLINOIS
DEPARTMENT OF TRANSPORTATION
F.A.I. ROUTE 80/84 (DAN RYAN EXPRESSWAY)
SECTION 1985-080 R - COOK COUNTY
ROADWAY GRAVING AND PAVING
MISCELLANEOUS DETAILS - ALL STRUCTURES
PREFORMED JOINT SEAL 2 1/2" & 4"
Scale: NONE
Date: AUGUST 14, 1987
Drawn By: J.R.
Checked By: M.M.
ENVIRONMENTAL ENGINEERS INC.
Chicago, Illinois

D:\60W71-shr-AS-BUILT-23.dgn

USER NAME = dunkerleyb	DESIGNED -	REVISED
PLOT SCALE = N.T.S.	CHECKED -	REVISED
PLOT DATE = 11/26/2013	DRAWN -	REVISED
	CHECKED -	REVISED

STATE OF ILLINOIS
DEPARTMENT OF TRANSPORTATION

EXISTING AS-BUILTS SN 016-1088

SHEET NO. AS-23 OF AS-72 SHEETS

F.A.I. RTE.	SECTION	COUNTY	TOTAL SHEETS	SHEET NO.
80/84/290	2013-036R	COOK	256	165
CONTRACT NO. 60W71				
ILLINOIS FED. AID PROJECT -NUMBER-				