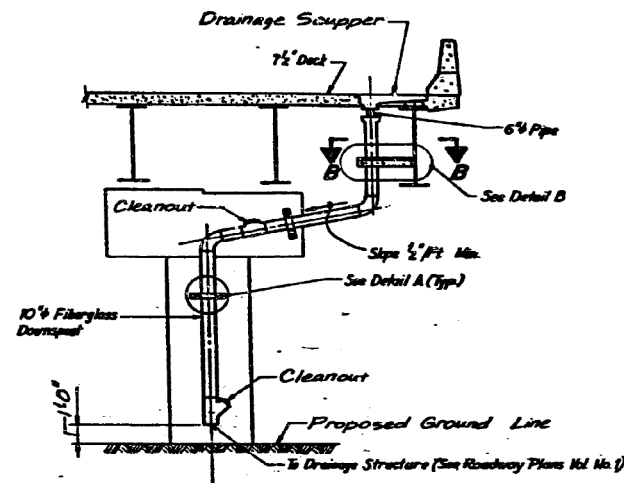
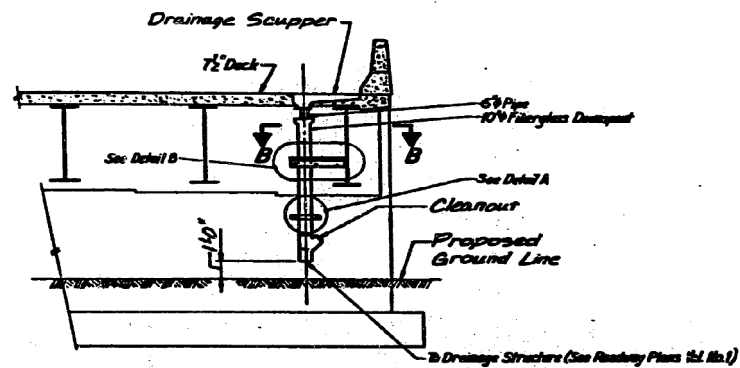


SECTION	QUANTITY	DATE	BY
90/94	COOK	79	TBA
TO BE			
FED. AID PROJECT			
SECTION 1985-090R			



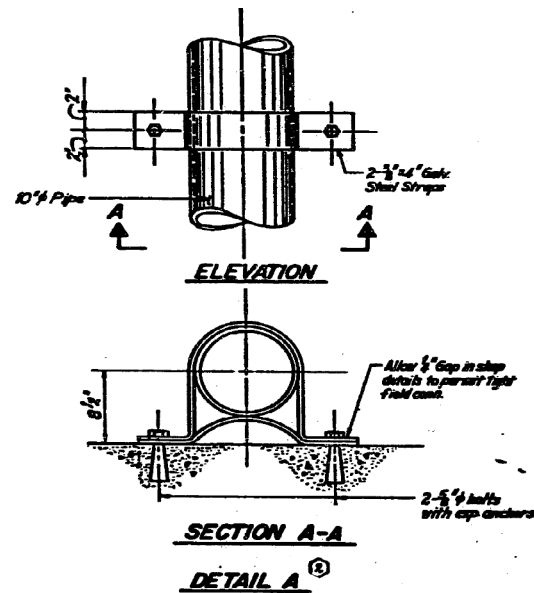
**TYPICAL SECTION OF SCUPPERS^①
AT PIER LOCATIONS**

Taylor St. Exit Ramp Bent No. 4
Taylor St. Entrance Ramp Bent No. 3



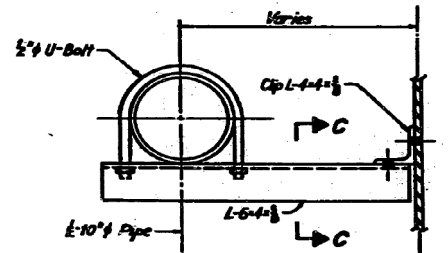
**TYPICAL SECTION OF SCUPPERS^①
AT ABUTMENT LOCATIONS**

Taylor St. Exit Ramp Abutment No. 1
Taylor St. Entrance Ramp Abutment No. 5



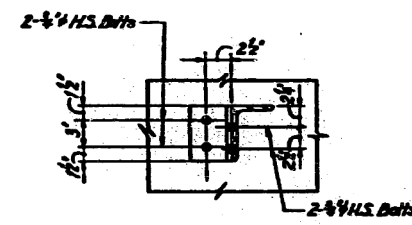
SECTION A-A

DETAIL A^①



SECTION B-B

DETAIL B^①



SECTION C-C^①

NOTES:

- 1. For Scupper Details, see Shts. MD 4 and MD 5 in this volume.
- 2. For Scupper Locations, see Shts. Exit 5 (Taylor St. Exit Ramp) and Exit 4 (Taylor St. Entrance Ramp).

BILL OF MATERIAL

Item	Unit	Quantity		Total
		Taylor St. Exit	Taylor St. Entrance	
Downspout Drainage System	L.in. Ft.	34	33	67

SHEET MD 7 OF 7

REVISIONS

Name	Date
(U) Amicus	2-3-88

STATE OF ILLINOIS
DEPARTMENT OF TRANSPORTATION
F.A.I. ROUTE 90/94 (DAN RYAN EXPRESSWAY)
SECTION 1985-090 R COOK COUNTY
ROADWAY GRADING AND PAVING
DECK DRAINAGE
TYPICAL DETAILS AND SECTIONS
Scale: NONE
Date: AUG. 14, 1987
Checked By: W.P.R.
ENRICO ENGINEERING INC.
Chicago, Illinois

△ New Sheet-Nov. 23, 1987

D160W71-sh1-AS-BUILT-27.dgn

USER NAME = dunkerleyb	DESIGNED -	REVISED
PLOT SCALE = N.T.S.	CHECKED -	REVISED
PLOT DATE = 11/26/2013	DRAWN -	REVISED
	CHECKED -	REVISED

STATE OF ILLINOIS
DEPARTMENT OF TRANSPORTATION

EXISTING AS-BUILTS SN 016-1088

SHEET NO. AS-27 OF AS-72 SHEETS

F.A.I. R.T.E.	SECTION	COUNTY	TOTAL SHEETS	SHEET NO.
90/94/290	2013-036R	COOK	256	169
				CONTRACT NO. 60W71
ILLINOIS FED. AID PROJECT -NUMBER-				