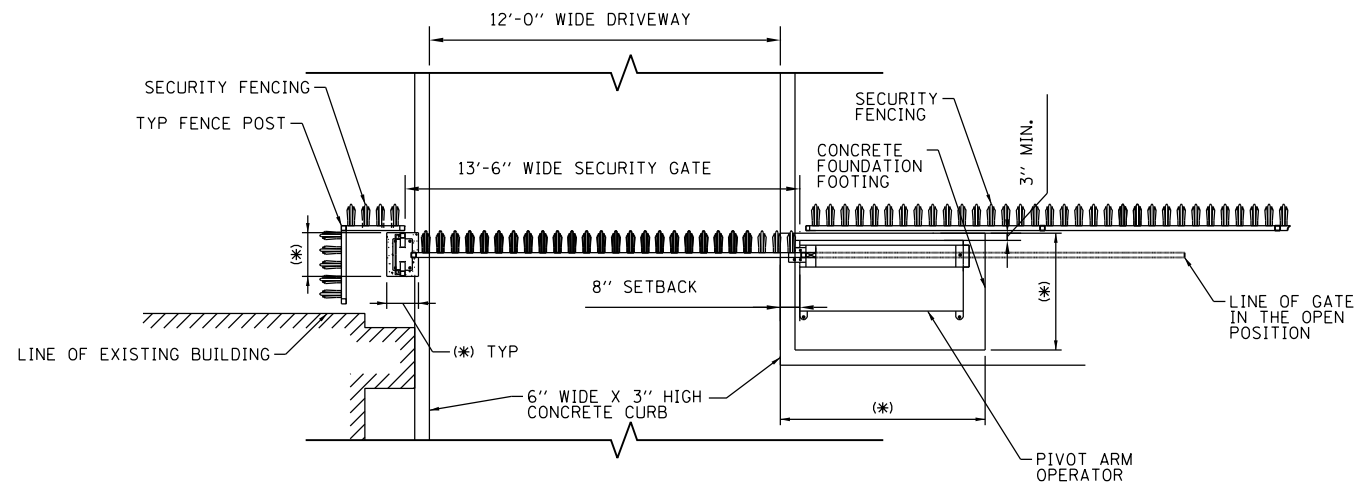
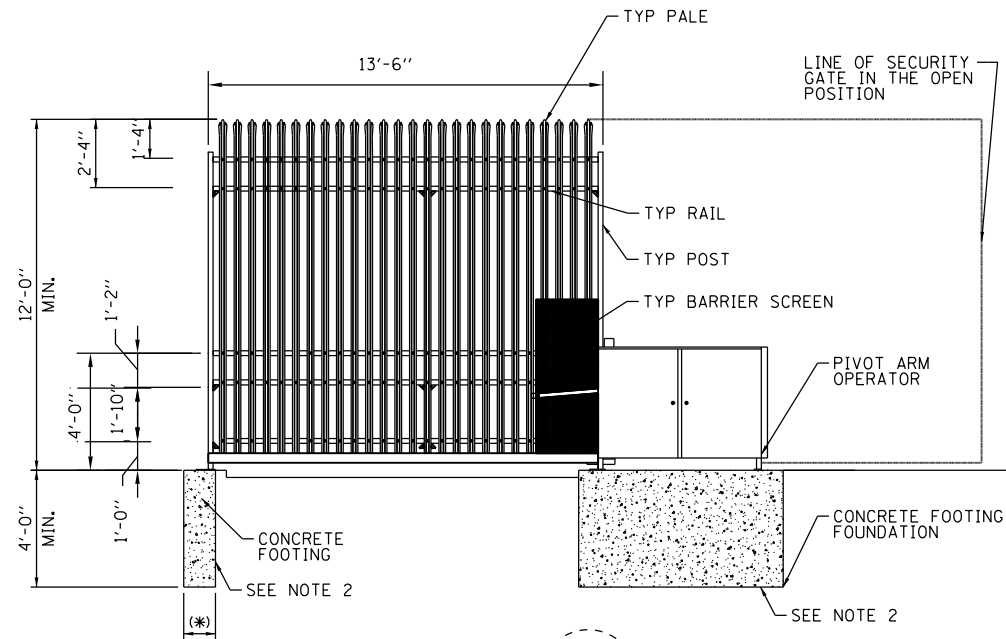
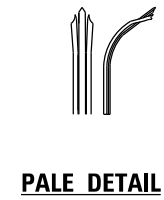
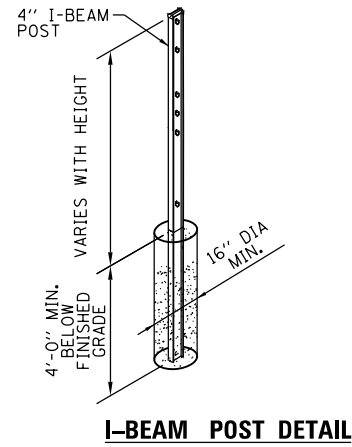


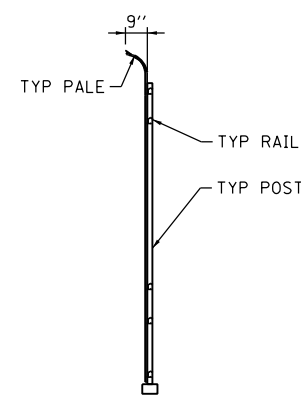
FILE PATH = p:\388035-p\m\1\esc\com\line\local\p\AEC\000\Documents\01_Americas\Transportation\62629938_Circle\Phase_1\000_CAD\005_Roadway_Sheets\60W71_Contract\0160W71-sht-Fence-02



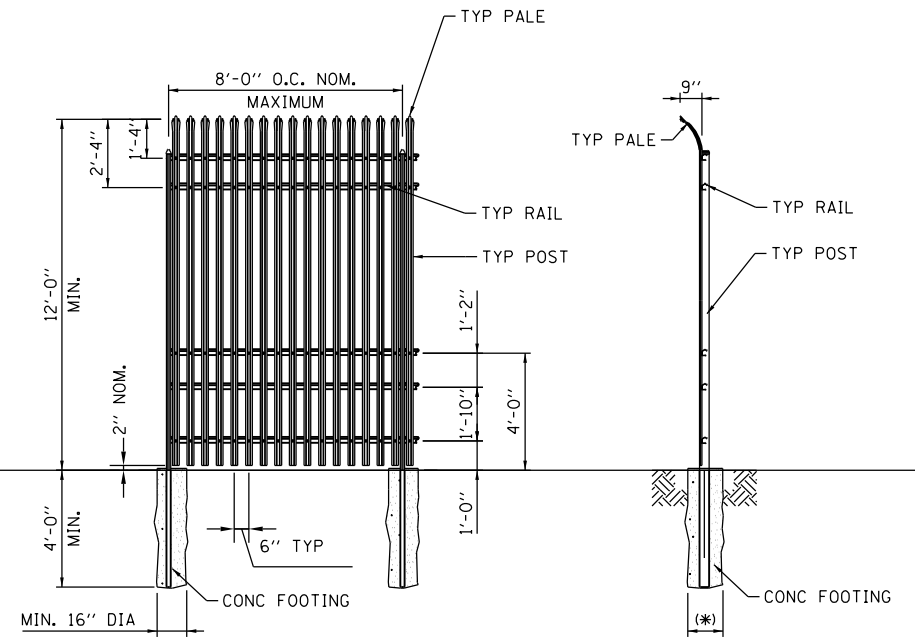
**SECURITY GATE/FENCING PLAN DETAIL AT EAST GATE
WEST SECURITY GATE/FENCING OPPOSITE HAND SIMILAR**



**SECURITY GATE ELEVATION
NOTE: ADJACENT FENCING
NOT SHOWN FOR CLARITY**



SECURITY GATE SECTION



**SECURITY FENCE ELEVATION
TYPICAL 8'-0" PANEL**

TYPICAL SECURITY FENCE SECTION

- NOTES:**
1. THE ASTERISK (*) INDICATES DIMENSIONS TO BE DETERMINED BY GATE MANUFACTURER AND CONTRACTOR'S ILLINOIS LICENSED STRUCTURAL ENGINEER.
 2. REINFORCE GATE FOUNDATION FOOTINGS WITH MINIMUM #5 @ 12 EACH WAY, TOP, BOTTOM AND SIDES. ALL REINFORCING BARS SHALL BE EPOXY COATED.
 3. EXISTING WATER MAIN TO REMAIN. VERIFY LOCATION IN FIELD TO ALLOW FOR MINIMUM 12" OF SOIL BETWEEN PIPE AND GATE OR FENCE FOUNDATIONS.



D160W71-sht-Fence-02
USER NAME = chiuw
PLOT SCALE = 20.0000' / in.
PLOT DATE = 2/20/2014

DESIGNED - JP
DRAWN - MSC
CHECKED - DBM
DATE - 02/19/14

REVISED -
REVISED -
REVISED -
REVISED -

**STATE OF ILLINOIS
DEPARTMENT OF TRANSPORTATION**

FENCE AND GATE DETAILS

SCALE: NONE SHEET 1 OF 1 SHEETS STA. TO STA.

F.A.I. RTE.	SECTION	COUNTY	TOTAL SHEETS	SHEET NO.
90/94/290	2013-036R	COOK	256	236
CONTRACT NO. 60W71				
ILLINOIS FED. AID PROJECT				