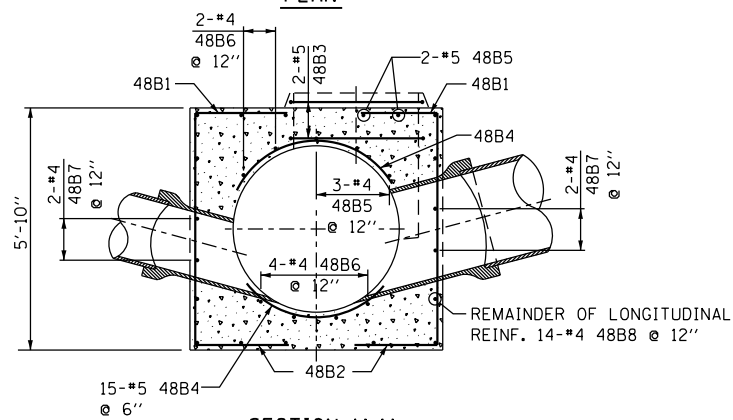
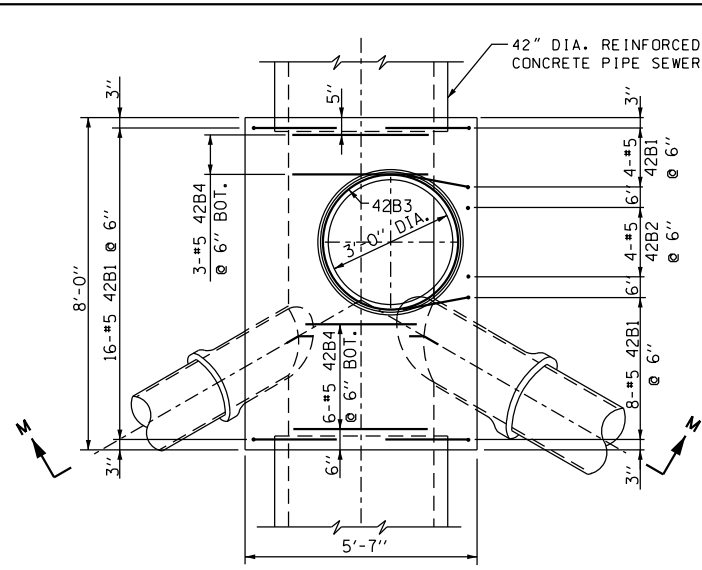


PLAN

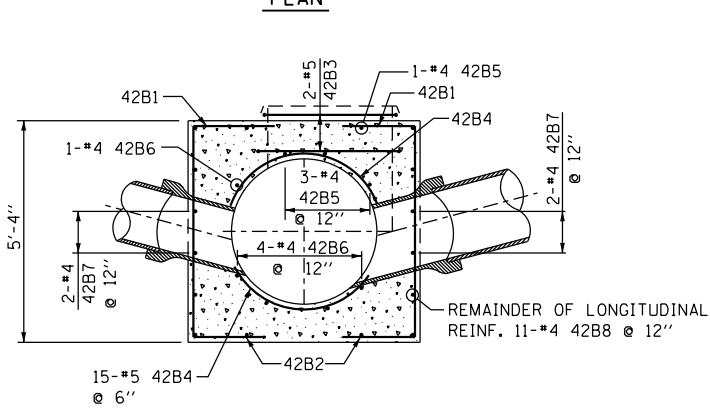


SECTION M-M

48" DIA. SEWER

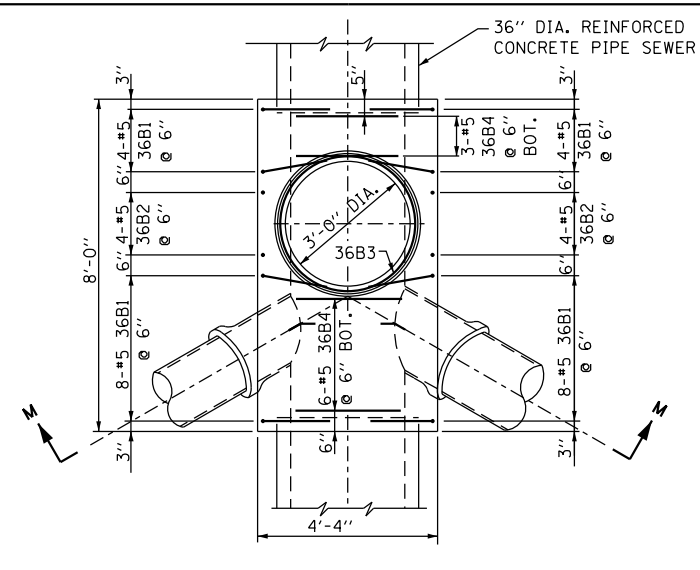


PLAN

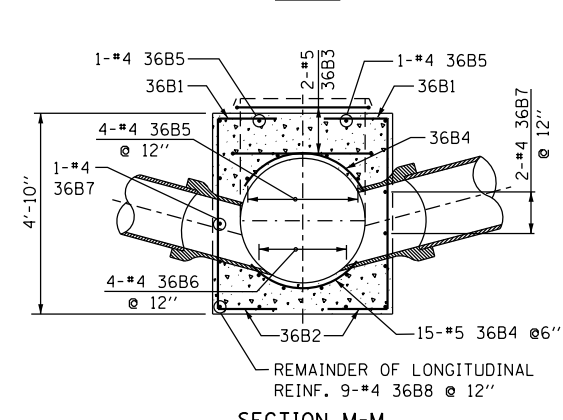


SECTION M-M

42" DIA. SEWER

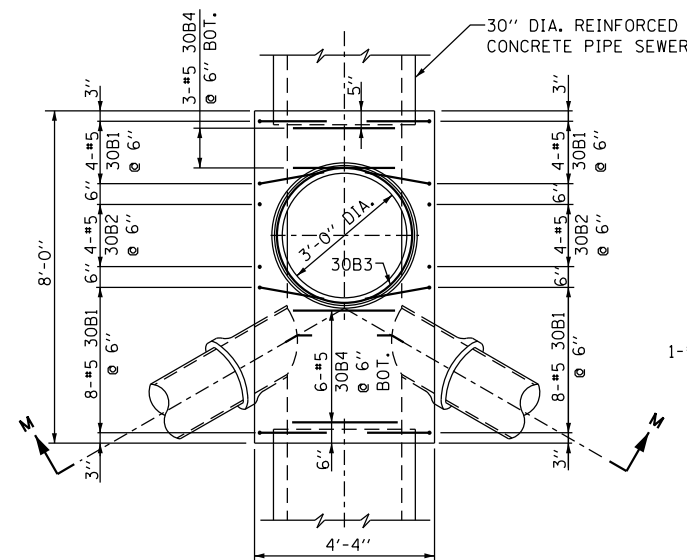


PLAN

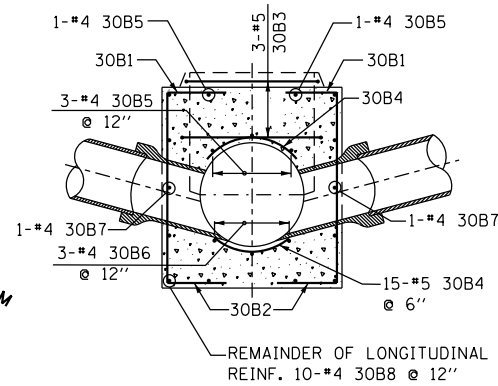


SECTION M-M

36" DIA. SEWER

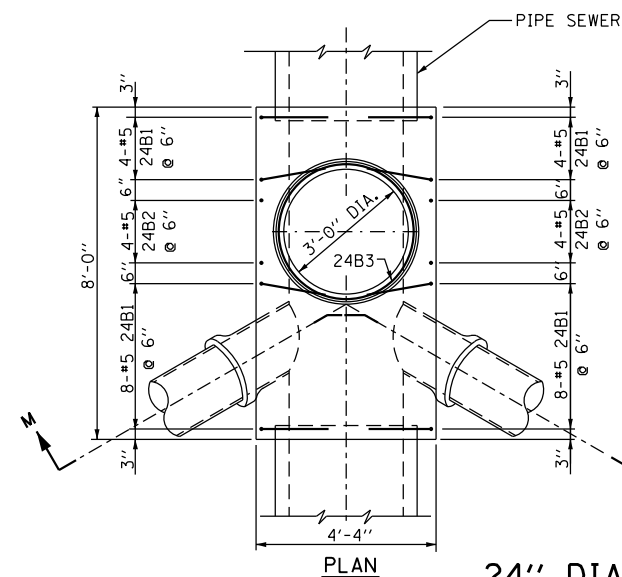


PLAN

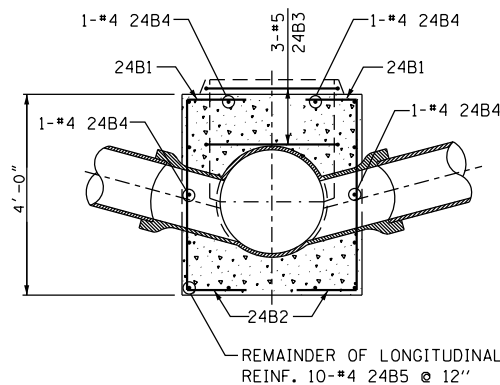


SECTION M-M

30" DIA. SEWER



PLAN



SECTION M-M

24" DIA. SEWERS & SMALLER

- NOTES:
- CONTRACTOR MUST SUBMIT SHOP DRAWINGS OF ALL PROPOSED MANHOLE CONFIGURATIONS FOR APPROVAL PRIOR TO SUBMISSION OF MATERIAL ORDERS.
 - CONNECTION BELLS MAY BE INSTALLED AT MANUFACTURER'S SITE, OR MORTARED IN PLACE IN THE FIELD. SEE SHEET A.10A FOR FURTHER CONFIGURATION DETAILS.
 - BASES MUST BE PRECAST WITH THE CORRECT NUMBER OF PIPE OPENINGS, CORRESPONDING TO THE REPRESENTATION IN THE PLAN AND PROFILE SHEETS.
 - PATCHING, BRICKING, OR OTHER MATERIAL METHODS OF CLOSING UNUSED HOLES WILL NOT BE ACCEPTED.

STANDARD REVISIONS	
DATE	DESCRIPTION
1/22/14	revision

PERCENT COMPLETE	DATE
30	
60	
75	
90	
100	
BULLETIN	

CITY OF CHICAGO DEPARTMENT OF WATER MANAGEMENT BUREAU OF ENGINEERING SERVICES		DESIGNED: SDB CHECKED:	A.10
REINFORCEMENT FOR TYPE "B" MANHOLE BASES		REVIEWED:	
			OF
			PN

CHICAGO DEPARTMENT OF WATER MANAGEMENT
STANDARD DETAILS

F.A.I. RTE.	SECTION	COUNTY	TOTAL SHEETS	SHEET NO.
90/94/290	2013-036R	COOK	256	250
CONTRACT NO. 60W71				
ILLINOIS FED. AID PROJECT				

SCALE: NTS SHEET 8 OF 12 SHEETS STA. TO STA.

STATE OF ILLINOIS
DEPARTMENT OF TRANSPORTATION



D160W71-sht-CDWM-Detail-08.dgn
USER NAME = chitua
PLOT SCALE = 2.0000' / in.
PLOT DATE = 2/18/2014

DESIGNED -	REVISED -
DRAWN -	REVISED -
CHECKED -	REVISED -
DATE - 02/19/14	REVISED -

FILE PATH = C:\Users\chitua\Desktop\60W71\0160W71-sht-CDWM-Detail-08.dgn