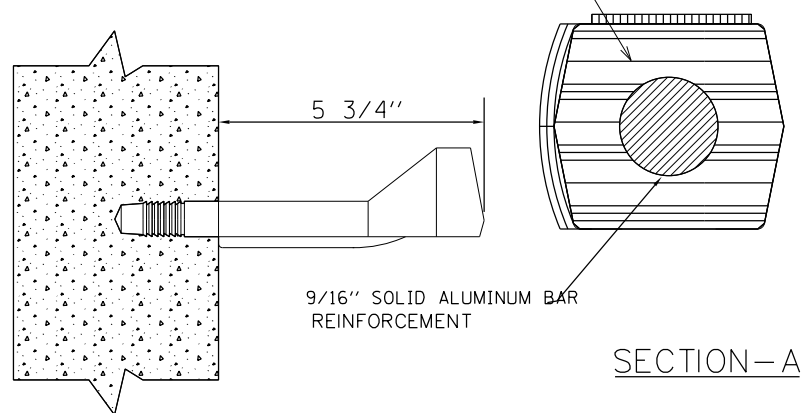


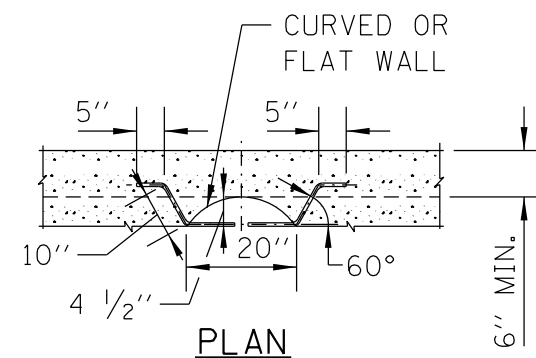
COPOLYMER POLYPROPYLENE PLASTIC



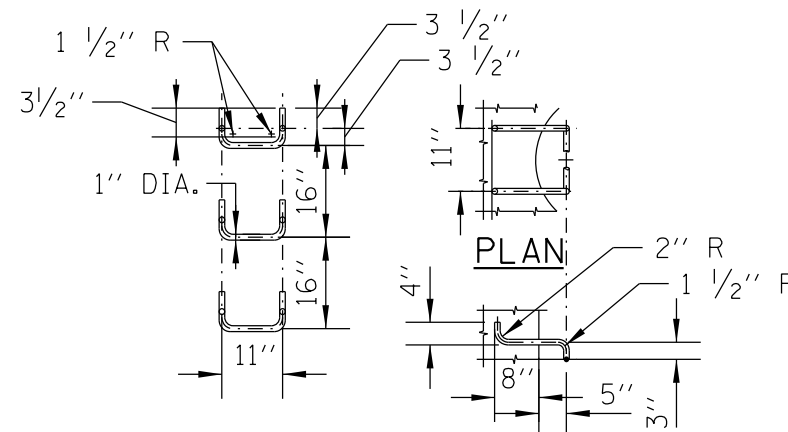
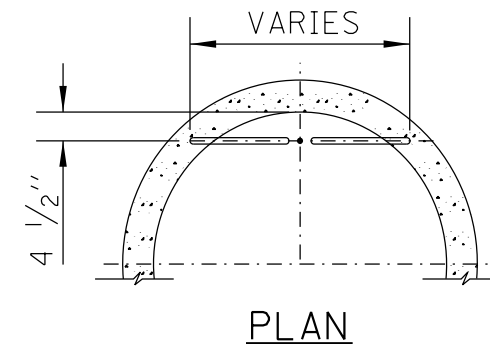
STEP LADDER RUNG

NOTES:

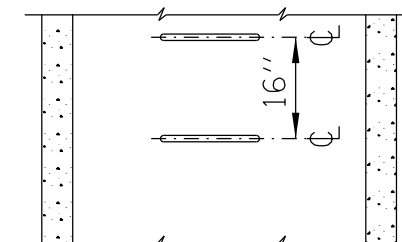
1. VERTICAL SPACING = 16" O.C., ON VERTICAL WALL ONLY.
2. STEPS TO PROTRUDE MINIMUM 5" FROM FACE OF STRUCTURE WALL.
3. STEPS SHALL MEET THE REQUIREMENTS OF ASTM C478 IN ADDITION TO A HORIZONTAL PULL-OUT LOAD OF 1000 LBS. WHEN INSTALLED.
4. ALL STEPS SHALL BE VERTICALLY ALIGNED IN A STRAIGHT LINE.
5. NO STEPS LOCATED INSIDE MANHOLE CHIMNEY.
6. MINIMUM CONCRETE STRENGTH MUST BE 3000 PSI
7. HOLES- PREFORMED/DRILLED
 - A. HOLES MUST BE PARALLEL
 - B. HOLES MUST BE 10" CENTERED, 1" DIAMETER
 - C. MINIMUM DEPTH- 3 1/2" TO 3 3/4"



ELEVATION
TYPE X



SPACING ELEVATION
HANDHOLD-TYPE Z RUNG



ELEVATION
TYPE Y

PERCENT COMPLETE	DATE	CITY OF CHICAGO DEPARTMENT OF WATER MANAGEMENT BUREAU OF ENGINEERING SERVICES		DRAWN: SBW
30	1/22/14	LADDER RUNGS		DESIGNED:
60				CHECKED:
75				REVIEWED:
90				OF
100				A.17
BULLETIN				
SCALE: NTS		CHICAGO DEPARTMENT OF WATER MANAGEMENT STANDARD DETAILS		F.A.I. RTE. 90/94/290
SHEET 12 OF 12 SHEETS		COUNTY COOK		TOTAL SHEETS 251
STA. TO STA.		SECTION 2013-036R		SHEET NO. 251
		CONTRACT NO. 60W71		ILLINOIS FED. AID PROJECT

FILE PATH = C:\Users\chun\Desktop\60W71\0160W71-sht-CDWM-Detail-09.dgn



D160W71-sht-CDWM-Detail-09.dgn
USER NAME = chun
PLOT SCALE = 2.0000 ' / in.
PLOT DATE = 2/18/2014

DESIGNED -
DRAWN -
CHECKED -
DATE - 02/19/14

REVISED -
REVISED -
REVISED -
REVISED -

STATE OF ILLINOIS
DEPARTMENT OF TRANSPORTATION

CHICAGO DEPARTMENT OF WATER MANAGEMENT
STANDARD DETAILS

SECTION 2013-036R
COUNTY COOK
CONTRACT NO. 60W71
TOTAL SHEETS 251
SHEET NO. 251