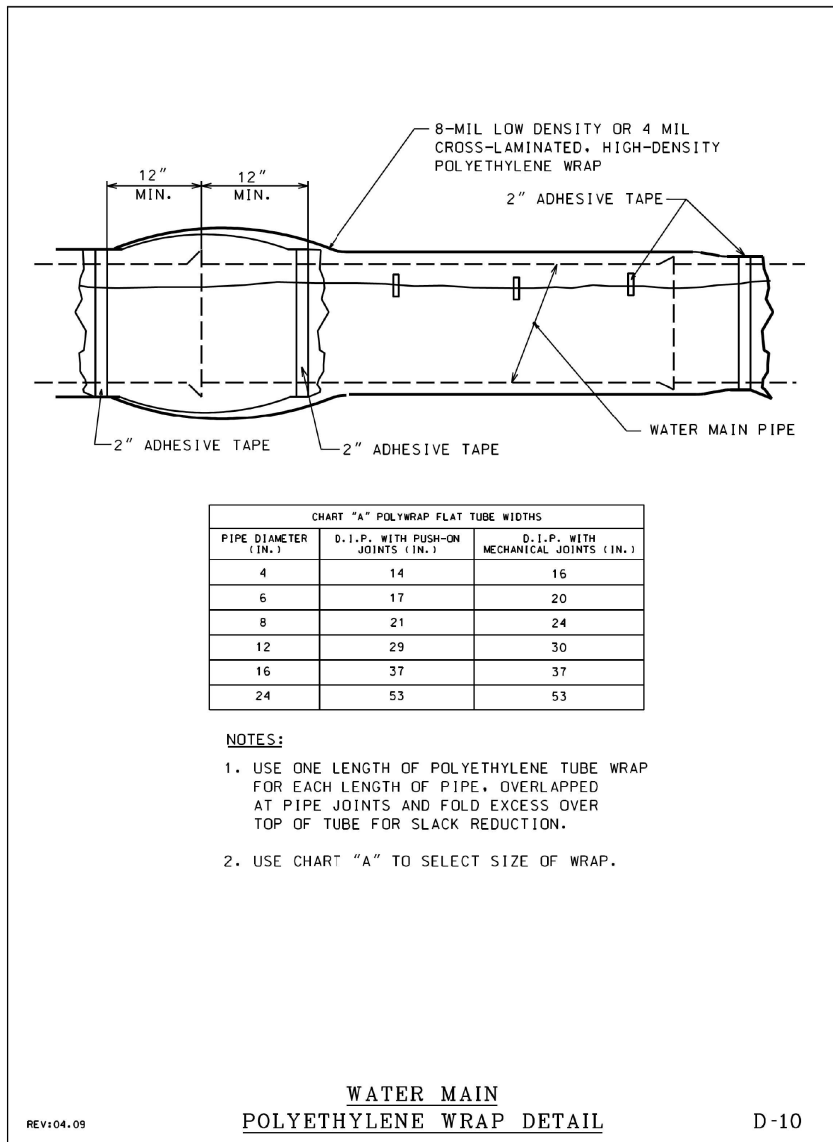
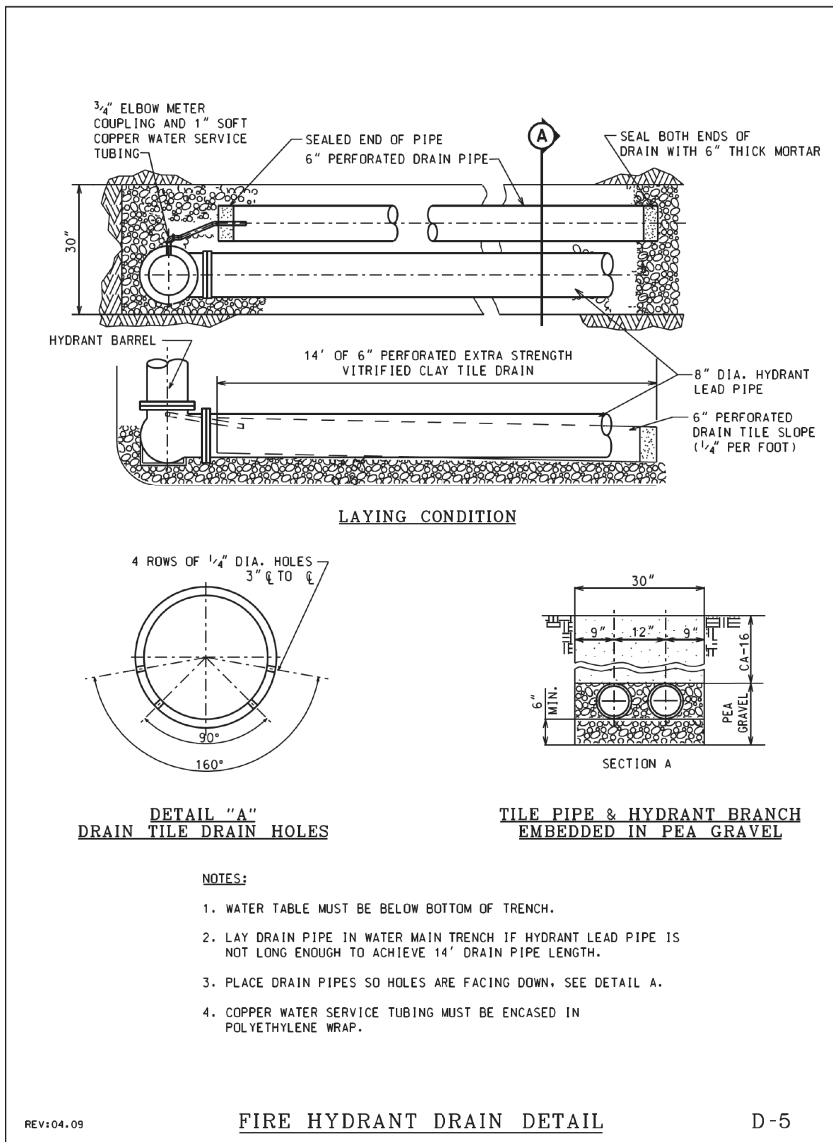
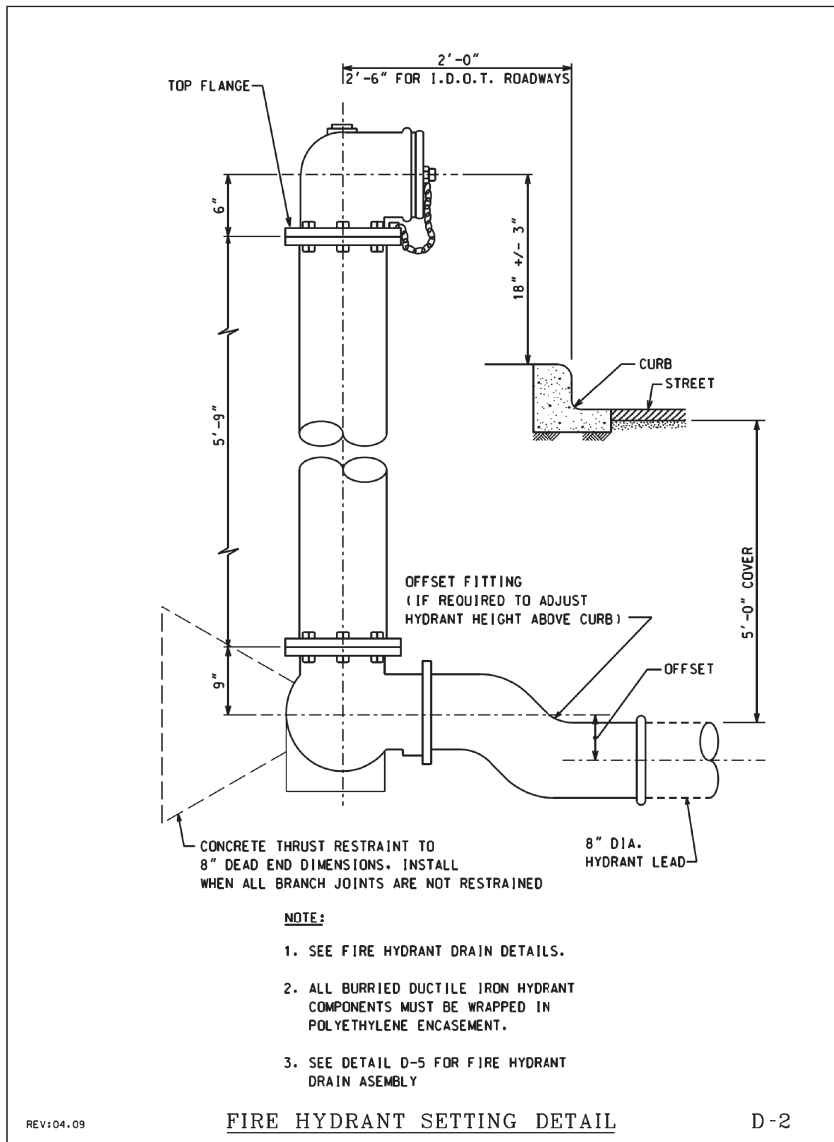


FILE PATH = p:\388035\pmt\escomon\me\local\p\AECOM\0\Documents\01\_Americas\Transportation\62629938\_Circle\Phase\1\000\_CAD\005\_Roadway\Sheets\60W71\_Contract\0160W71-sht-WM-02.dgn



D160W71-sht-WM-02.dgn  
USER NAME = alizadehn  
PLOT SCALE = 20.0000' / in.  
PLOT DATE = 12/19/2013

DESIGNED - MSC  
DRAWN - MSC  
CHECKED - RBB  
DATE - 12/20/13

REVISED -  
REVISED -  
REVISED -  
REVISED -

STATE OF ILLINOIS  
DEPARTMENT OF TRANSPORTATION

WATER MAIN DETAILS

SCALE: SHEET OF SHEETS STA. TO STA.

F.A.I. RTE.	SECTION	COUNTY	TOTAL SHEETS	SHEET NO.
90/94/290	2013-036R	COOK	256	251B
CONTRACT NO. 60W71				
ILLINOIS FED. AID PROJECT				