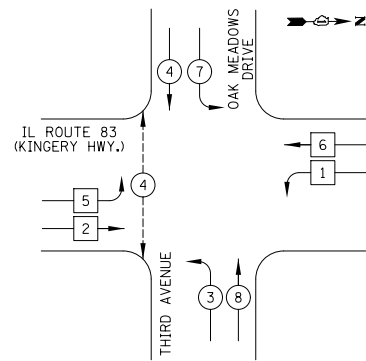
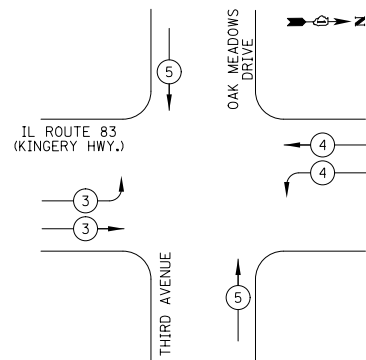


**TEMPORARY CONTROLLER SEQUENCE**



**TEMPORARY EMERGENCY VEHICLE PREEMPTION SEQUENCE**

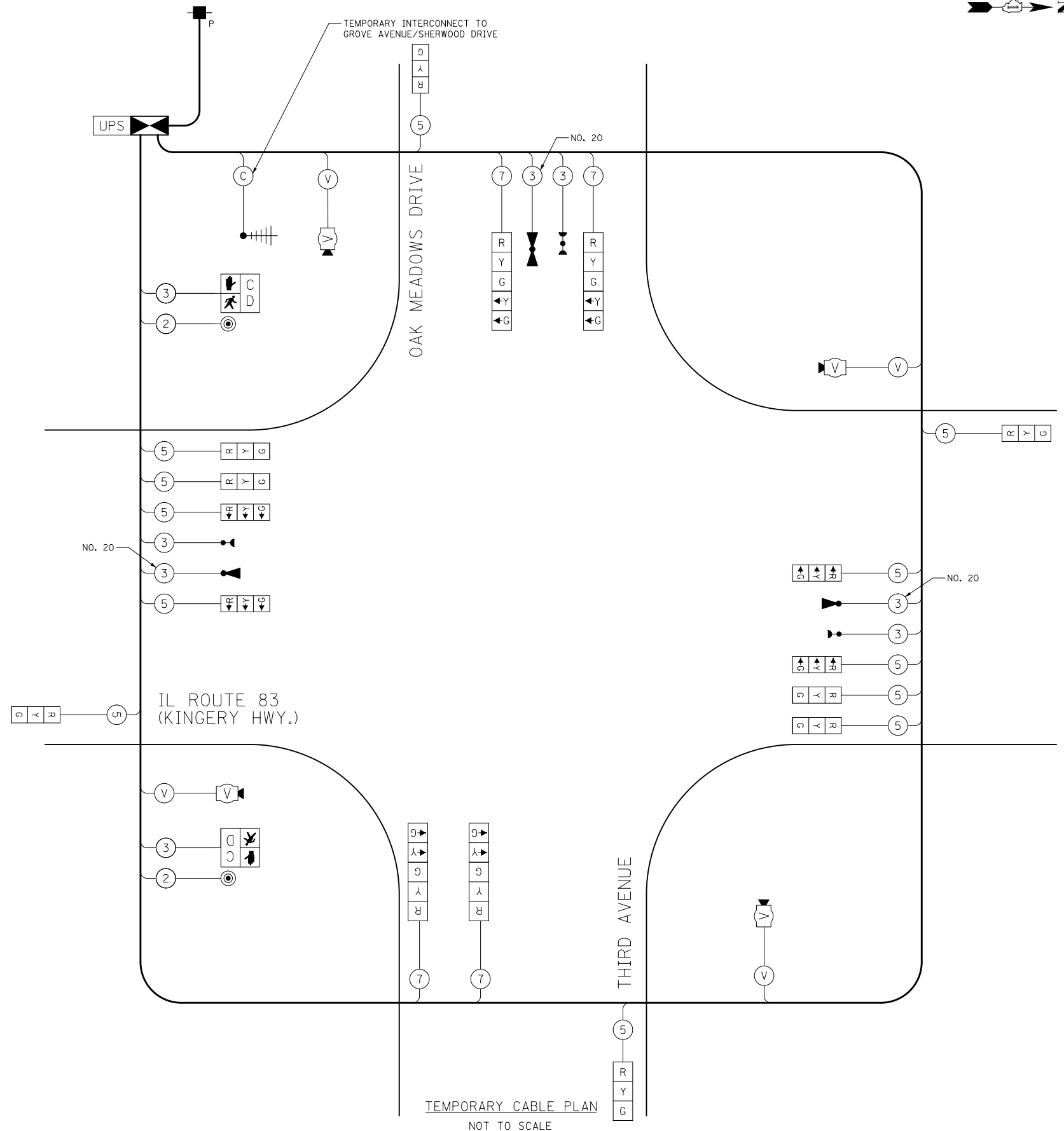


TEMPORARY EMERGENCY VEHICLE PREEMPTORS			
EMERGENCY VEHICLE PREEMPTOR	3	4	5
MOVEMENT			

**LEGEND**

- DUAL ENTRY PHASE
- SINGLE ENTRY PHASE
- OVERLAP
- PEDESTRIAN PHASE
- NUMBER REFERS TO ASSOCIATED PHASE

I.D.O.T. TRAFFIC SIGNAL INSTALLATION ELECTRICAL SERVICE REQUIREMENTS					TOTAL WATTAGE
TYPE	NO. LAMPS	WATTAGE		% OPERATION	
SIGNAL (RED)	16	INCAND.	17	0.50	136
(YELLOW)	16		25	0.25	100
(GREEN)	16		15	0.25	60
ARROW	8		12	0.10	10
PED. SIGNAL	2		25	1.00	50
CONTROLLER	1		100	1.00	100
VIDEO SYSTEM	1		150	1.00	150
TOTAL =					606
ENERGY COSTS TO: ILLINOIS DEPARTMENT OF TRANSPORTATION 201 WEST CENTER COURT SCHAUMBURG, IL 60196-1096					
ENERGY SUPPLY: CONTACT: TED ZAWISLAK PHONE: (630) 691-4861 COMPANY: COM ED					



TEMPORARY CABLE PLAN  
NOT TO SCALE

TS# 545



USER NAME = jrt  
DRAWN - JRT  
CHECKED - JJE  
DATE - 01/30/2014  
PLOT SCALE = 40.0000' / in.  
PLOT DATE = 1/29/2014

DESIGNED - BRD  
DRAWN - JRT  
CHECKED - JJE  
DATE - 01/30/2014  
REVISED -  
REVISED -  
REVISED -  
REVISED -

**STATE OF ILLINOIS  
DEPARTMENT OF TRANSPORTATION**

**TEMPORARY CABLE PLAN, TEMPORARY PHASE DESIGNATION DIAGRAM,  
AND TEMPORARY EMERGENCY VEHICLE PREEMPTION SEQUENCE  
IL ROUTE 83 (KINGERY HWY.) AT THIRD AVE./OAK MEADOWS DR.**  
NOT TO SCALE SHEET NO. 1 OF 1 SHEETS STA. TO STA.

F.A.P. RTE.	SECTION	COUNTY	TOTAL SHEETS	SHEET NO.
344	2013-063TS	DUPAGE	68	24
CONTRACT NO. 60X35				
ILLINOIS FED. AID PROJECT				