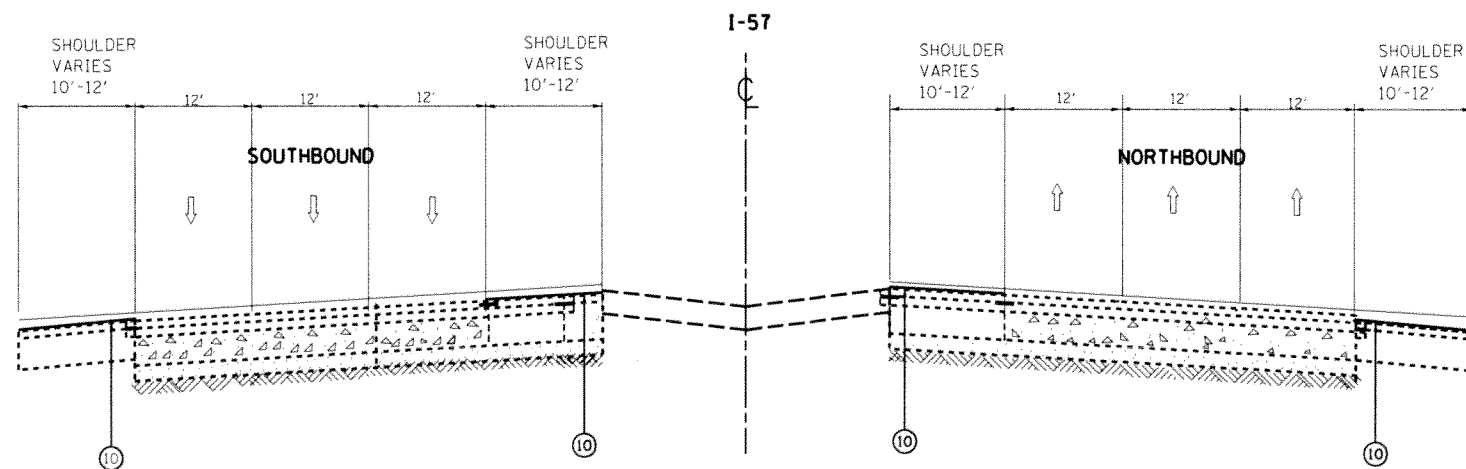


EXISTING TYPICAL SECTION
STA. 86+46 TO 707+74

LEGEND:

- ① EXISTING POLY HMA SURFACE CSE, MIX "F", N105, 1 3/4"
- ② EXISTING POLY HMA BINDER COURSE, IL-19, N105, 2 1/4"
- ③ EXISTING HMA SURFACE COURSE, MIX "D", N70, 2"
- ④ EXISTING P.C.C. PAVEMENT, 10"
- ⑤ EXISTING HMA SHOULDER
- ⑥ EXISTING STRIP REFLECTIVE CRACK CONTROL TREATMENT
- ⑦ EXISTING STABILIZED SUB-BASE, 4"
- ⑧ EXISTING GUARDRAIL (AT VARIOUS LOCATIONS)
- ⑨ EXISTING GRASS MEDIAN
- ⑩ PROPOSED MICRO-SURFACING, SINGLE PASS, TYPE II, MIXTURE D



PROPOSED TYPICAL SECTION
STA. 86+46 TO 707+74

FILE NAME =	USER NAME = Bakeron	DESIGNED -	REVISED -	STATE OF ILLINOIS DEPARTMENT OF TRANSPORTATION	EXISTING AND PROPOSED TYPICAL SECTIONS I-57--N OF 175TH ST TO ILL 1 (HALSTED ST.)			F.A.I. RTE.	SECTION	COUNTY	TOTAL SHEETS	SHEET NO.
et:\pw\work\p\idat\bakeron\0370666\0115	14-shr\cover.dgn	DRAWN -	REVISED -					57	2013-079I	COOK	32	4
	PLOT SCALE = 100.0000 1/ in.	CHECKED -	REVISED -		SCALE: SHEET NO. OF SHEETS STA. TO STA.			CONTRACT NO. 60X67				
	PLOT DATE = 3/12/2014	DATE -	REVISED -		ILLINOIS FED. AID PROJECT							