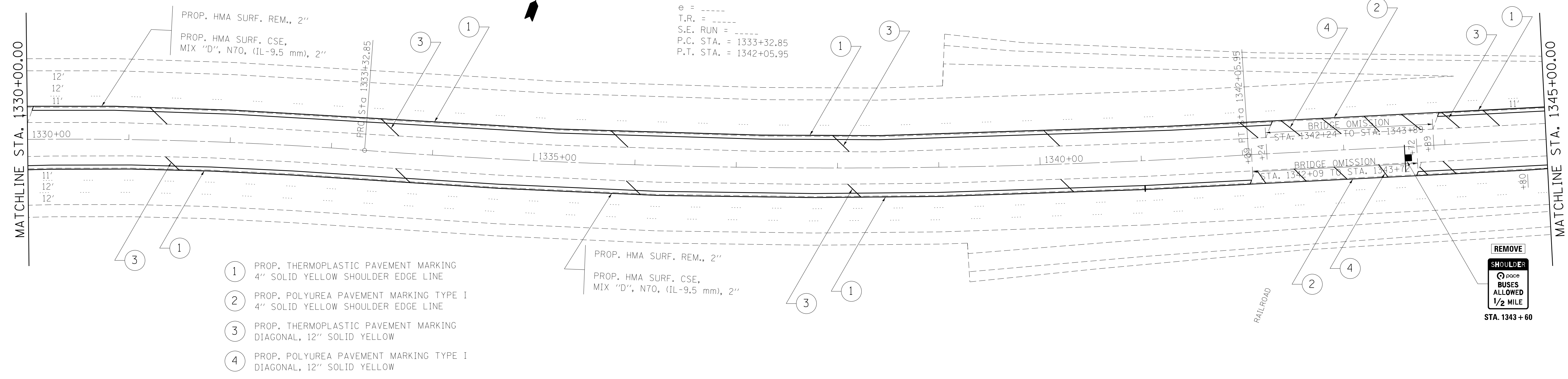


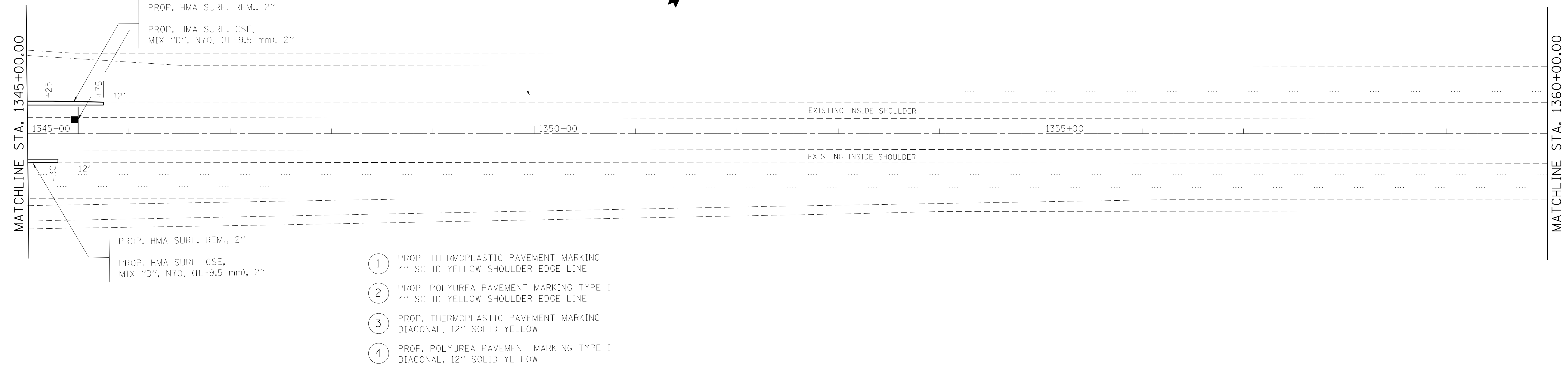
EXIST. CURVE E_155-36
 PI STA. = 1337+70.10
 $\Delta = 7^\circ 57' 03''$ (LT)
 $D = 0^\circ 54' 38''$
 $R = 6,291.90'$
 $T = 437.25'$
 $L = 873.10'$
 $E = 15.18'$
 $e = \text{---}$
 $T.R. = \text{---}$
 $S.E. RUN = \text{---}$
 $P.C. STA. = 1333+32.85$
 $P.T. STA. = 1342+05.95$



- ① PROP. THERMOPLASTIC PAVEMENT MARKING
4" SOLID YELLOW SHOULDER EDGE LINE
- ② PROP. POLYUREA PAVEMENT MARKING TYPE I
4" SOLID YELLOW SHOULDER EDGE LINE
- ③ PROP. THERMOPLASTIC PAVEMENT MARKING
DIAGONAL, 12" SOLID YELLOW
- ④ PROP. POLYUREA PAVEMENT MARKING TYPE I
DIAGONAL, 12" SOLID YELLOW

REMOVE
SHOULDER
 Q_{space}
BUSES
ALLOWED
1/2 MILE
 STA. 1343 + 60

REMOVE
BUS
SHOULDER
USE ENDS
 ON SIGN TRUSS
 STA. 1345 + 50



- ① PROP. THERMOPLASTIC PAVEMENT MARKING
4" SOLID YELLOW SHOULDER EDGE LINE
- ② PROP. POLYUREA PAVEMENT MARKING TYPE I
4" SOLID YELLOW SHOULDER EDGE LINE
- ③ PROP. THERMOPLASTIC PAVEMENT MARKING
DIAGONAL, 12" SOLID YELLOW
- ④ PROP. POLYUREA PAVEMENT MARKING TYPE I
DIAGONAL, 12" SOLID YELLOW

FILE NAME = c:\pwworkspace\p1dot1\eyssa\d0381808\125214	USER NAME = eyssa	DESIGNED -	REVISED -	STATE OF ILLINOIS DEPARTMENT OF TRANSPORTATION	ROADWAY AND PAVEMENT MARKING PLANS INTERSTATE 55: IL 50 (CICERO AVE) TO I-90/94	F.A.I. RTE.	SECTION	COUNTY	TOTAL SHEETS	SHEET NO.	
Default	sh1-p1en.dgn	DRAWN -	REVISED -			55	2014-0095G	COOK	32	7	
	PLOT SCALE = 50.0000' / in.	CHECKED -	REVISED -			CONTRACT NO. 60X90					
	PLOT DATE = 3/3/2014	DATE -	REVISED -			ILLINOIS FED. AID PROJECT					