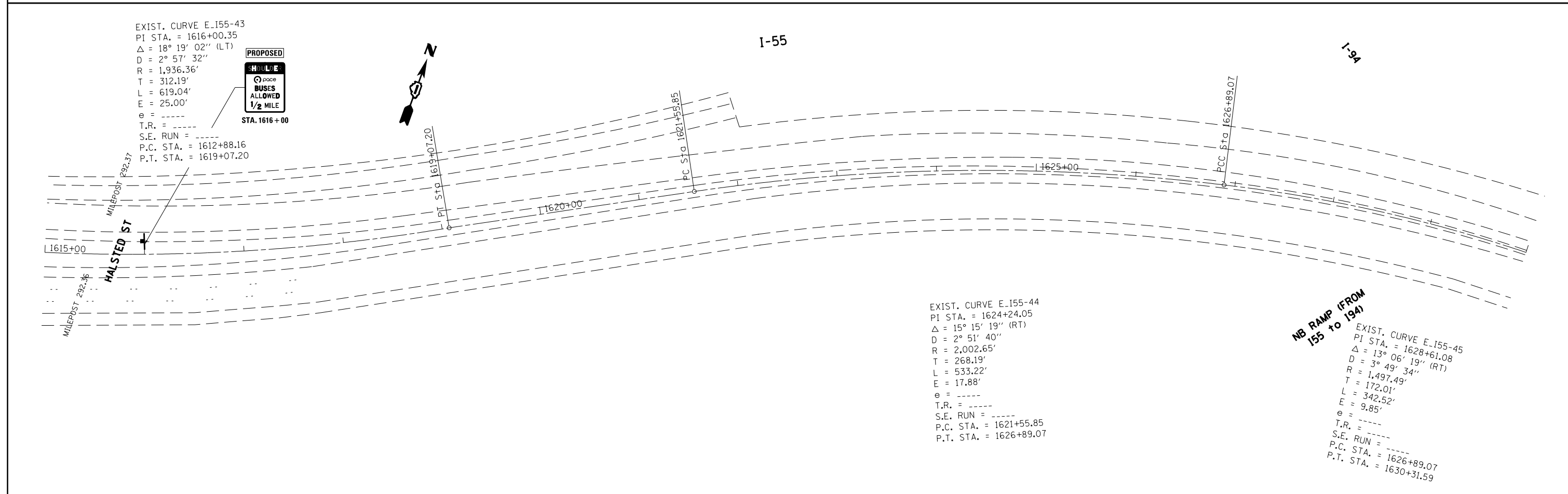


EXIST. CURVE E-155-41
 PI STA. = 1601+06.10
 $\Delta = 11^\circ 02' 58''$ (RT)
 $D = 3^\circ 05' 44''$
 $R = 1,850.95'$
 $T = 179.03'$
 $L = 356.96'$
 $E = 8.64'$
 $e = \text{-----}$
 $T.R. = \text{-----}$
 $S.E. \text{ RUN} = \text{-----}$
 $P.C. \text{ STA.} = 1599+27.07$
 $P.T. \text{ STA.} = 1602+84.03$

EXIST. CURVE E-155-42
 PI STA. = 1605+14.62
 $\Delta = 11^\circ 56' 04''$ (RT)
 $D = 2^\circ 35' 50''$
 $R = 2,206.12'$
 $T = 230.60'$
 $L = 459.52'$
 $E = 12.02'$
 $e = \text{-----}$
 $T.R. = \text{-----}$
 $S.E. \text{ RUN} = \text{-----}$
 $P.C. \text{ STA.} = 1602+84.03$
 $P.T. \text{ STA.} = 1607+43.55$



EXIST. CURVE E-155-43
 PI STA. = 1616+00.35
 $\Delta = 18^\circ 19' 02''$ (LT)
 $D = 2^\circ 57' 32''$
 $R = 1,936.36'$
 $T = 312.19'$
 $L = 619.04'$
 $E = 25.00'$
 $e = \text{-----}$
 $T.R. = \text{-----}$
 $S.E. \text{ RUN} = \text{-----}$
 $P.C. \text{ STA.} = 1612+88.16$
 $P.T. \text{ STA.} = 1619+07.20$

PROPOSED
 BUSES
 ALLOWED
 1/2 MILE
 STA. 1616+00

EXIST. CURVE E-155-44
 PI STA. = 1624+24.05
 $\Delta = 15^\circ 15' 19''$ (RT)
 $D = 2^\circ 51' 40''$
 $R = 2,002.65'$
 $T = 268.19'$
 $L = 533.22'$
 $E = 17.88'$
 $e = \text{-----}$
 $T.R. = \text{-----}$
 $S.E. \text{ RUN} = \text{-----}$
 $P.C. \text{ STA.} = 1621+55.85$
 $P.T. \text{ STA.} = 1626+89.07$

EXIST. CURVE E-155-45
 PI STA. = 1628+61.08
 $\Delta = 13^\circ 06' 19''$ (RT)
 $D = 3^\circ 49' 34''$
 $R = 1,497.49'$
 $T = 172.01'$
 $L = 342.52'$
 $E = 9.85'$
 $e = \text{-----}$
 $T.R. = \text{-----}$
 $S.E. \text{ RUN} = \text{-----}$
 $P.C. \text{ STA.} = 1626+89.07$
 $P.T. \text{ STA.} = 1630+31.59$

FILE NAME = c:\pwwork\p\dot\leysa\d0381808\125214	USER NAME = leysa sht-plan.dgn	DESIGNED - DRAWN -	REVISED - REVISED -	STATE OF ILLINOIS DEPARTMENT OF TRANSPORTATION	ROADWAY AND PAVEMENT MARKING PLANS INTERSTATE 55: IL 50 (CICERO AVE) TO I-90/94			F.A.I. RTE. 55	SECTION 2014-0095G	COUNTY COOK	TOTAL SHEETS 32	SHEET NO. 16
Default	PLOT SCALE = 100.0000' / in.	CHECKED -	REVISED -		SCALE: 1" = 50'	SHEET	OF	SHEETS	STA. 1600+00.00	TO STA. 1630+00.00	CONTRACT NO. 60X90	
	PLOT DATE = 2/28/2014	DATE -	REVISED -		ILLINOIS FED. AID PROJECT							