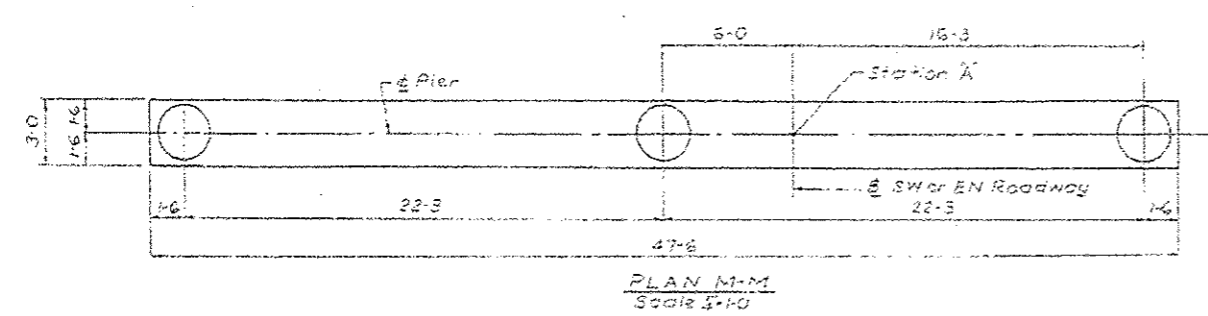


Note X:  
4 Sets of 4 - 5 bars UE E.E.



Structural repair of Concrete (Depth greater than 5 in)

Structural repair of Concrete (depth greater than 5 in)  
Area (Cap North Nose) = 81 sf  
Temporary Shoring and Cribbing = 2 Each

Reaction Table for Temporary Shoring and Cribbing at Pier E5

	Span E5	Span E6	
R DL =	40.5	47.1	kips
R LL =	45.1	45.1	kips
R Imp. =	9	10.1	kips
R Total =	94.6	102.3	kips

SECTION 55  
PIERS W5, W6, E5 AND E7