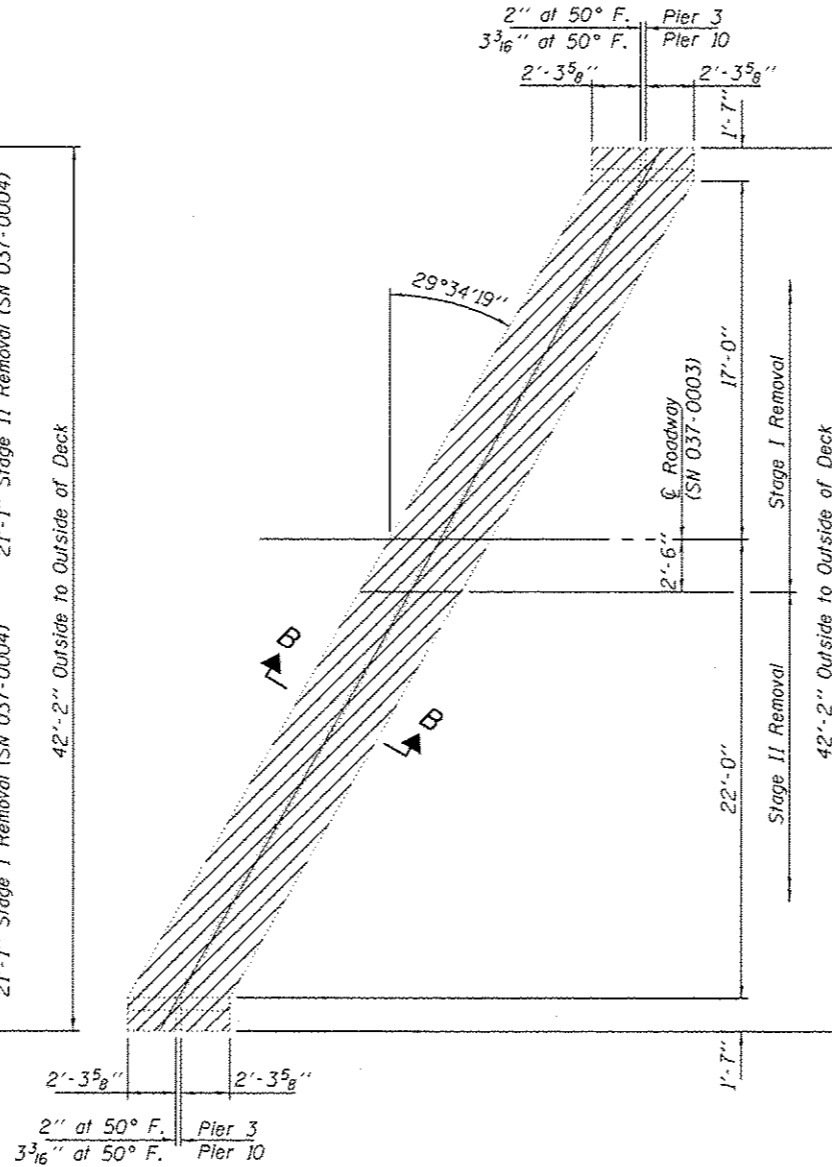
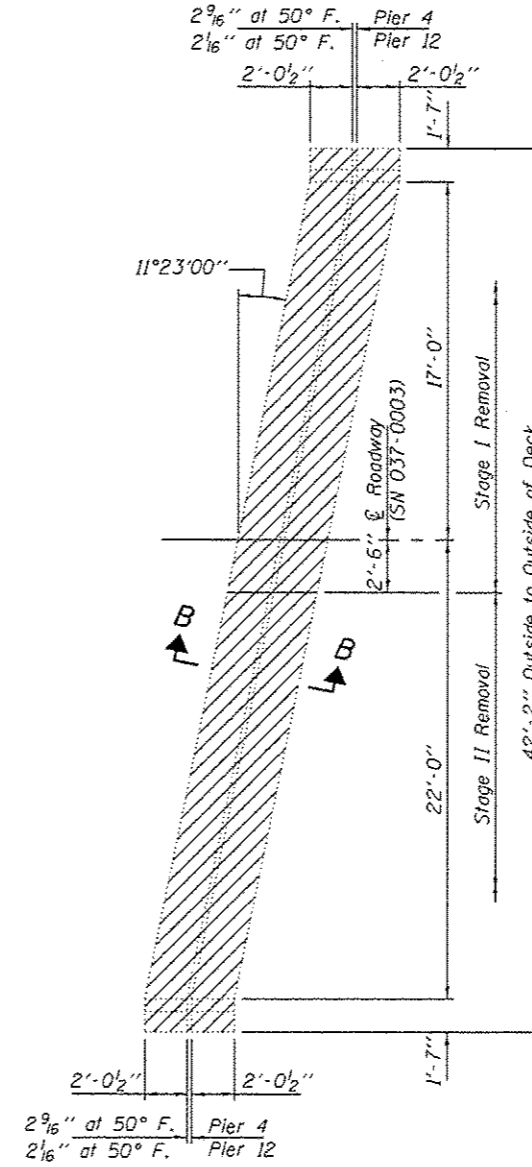


PARTIAL PLAN AT W. ABUTMENTS



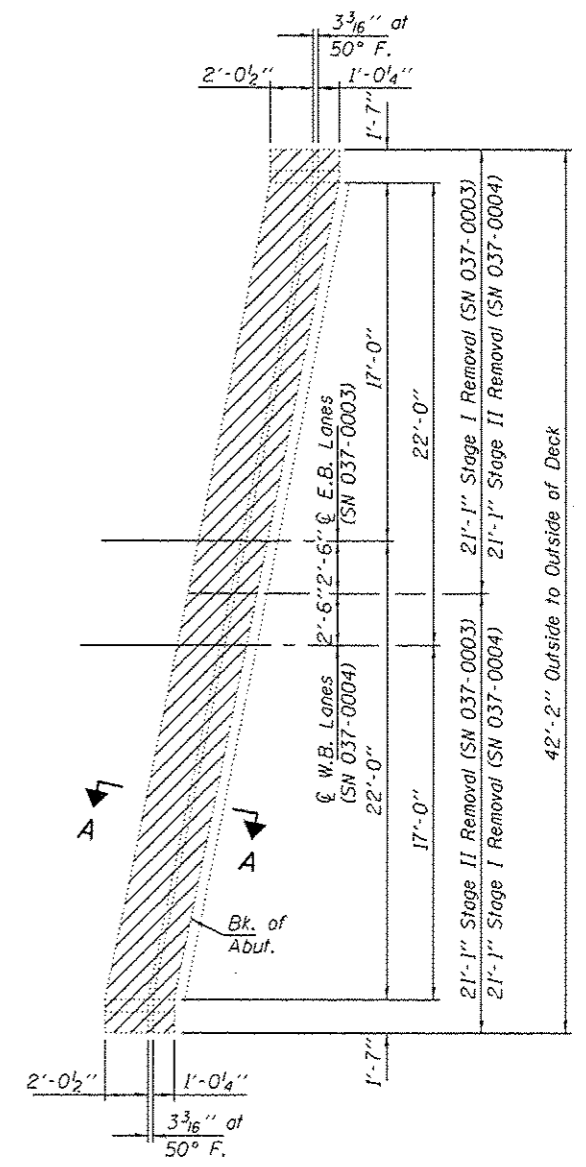
PARTIAL PLAN AT PIER 10

Pier 3 similar by 180° rotation



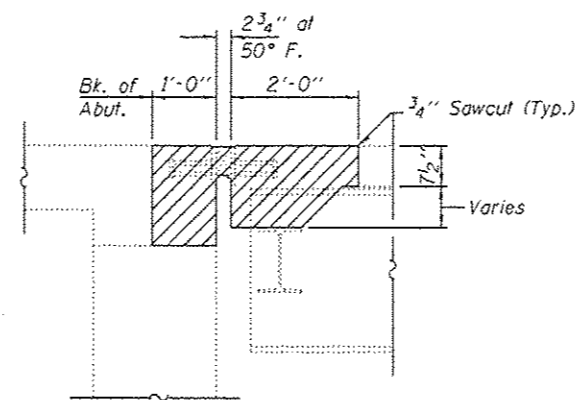
PARTIAL PLAN AT PIER 12

Pier 4 similar by 180° rotation



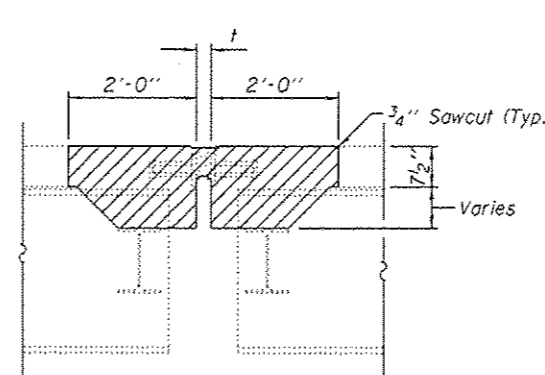
PARTIAL PLAN AT E. ABUTMENTS

Notes:
 Hatched area indicates concrete removal.
 Removal of existing joints is included with Concrete Removal.



SECTION A-A

Horiz. Dim. at Rt. L's



SECTION B-B

Horiz. Dim. at Rt. L's

DIMENSION "4"

LOCATION	"4" at 50° F.
Pier 3	1 3/4"
Pier 4	2 1/4"
Pier 10	2 3/4"
Pier 12	2"

DESIGNED GGE
 CHECKED VHV
 DRAWN Kyle M. Steffen
 CHECKED GGE VHV

EXAMINED
 PASSED
 ACTING ENGINEER OF STRUCTURAL SERVICES
 ACTING ENGINEER OF BRIDGES AND STRUCTURES

DATE MARCH 6, 2014
 REVISED
 REVISED

STATE OF ILLINOIS
 DEPARTMENT OF TRANSPORTATION

CONCRETE REMOVAL DETAILS
 SN 037-0003 & 0004

SHEET NO. 2 OF 8 SHEETS

F.A.I. RTE.	SECTION	COUNTY	TOTAL SHEETS	SHEET NO.
14	137-1NB1M	HENRY	27	21
				CONTRACT NO. 64E94
ILLINOIS FED. AID PROJECT				