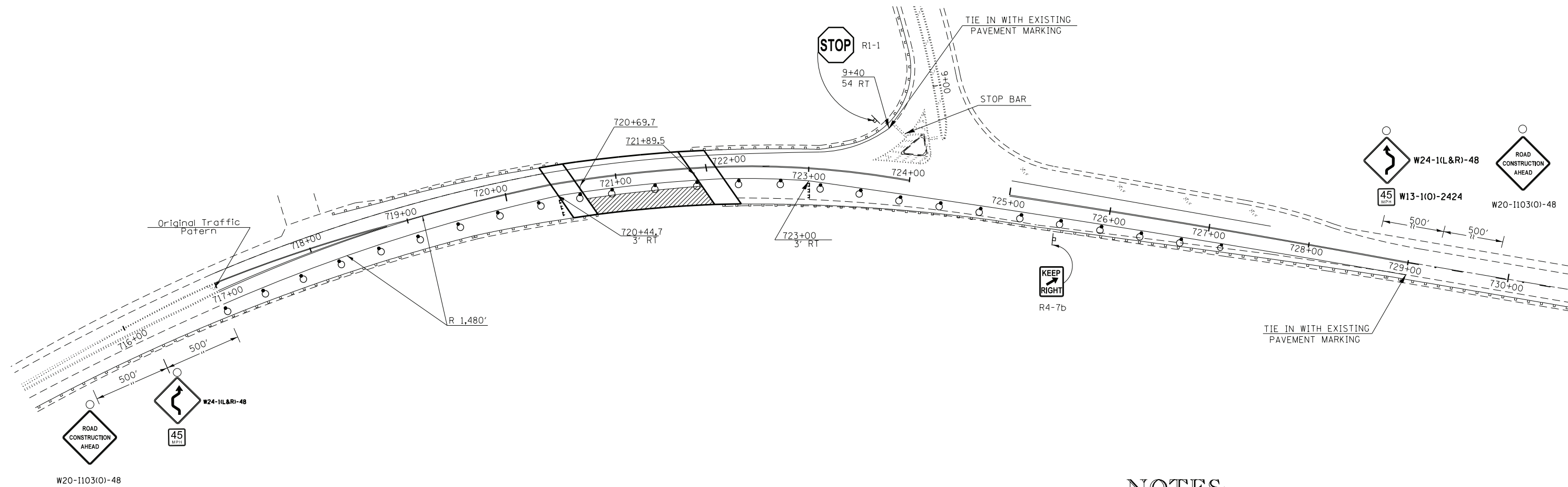
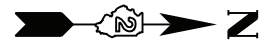


# STAGE 2



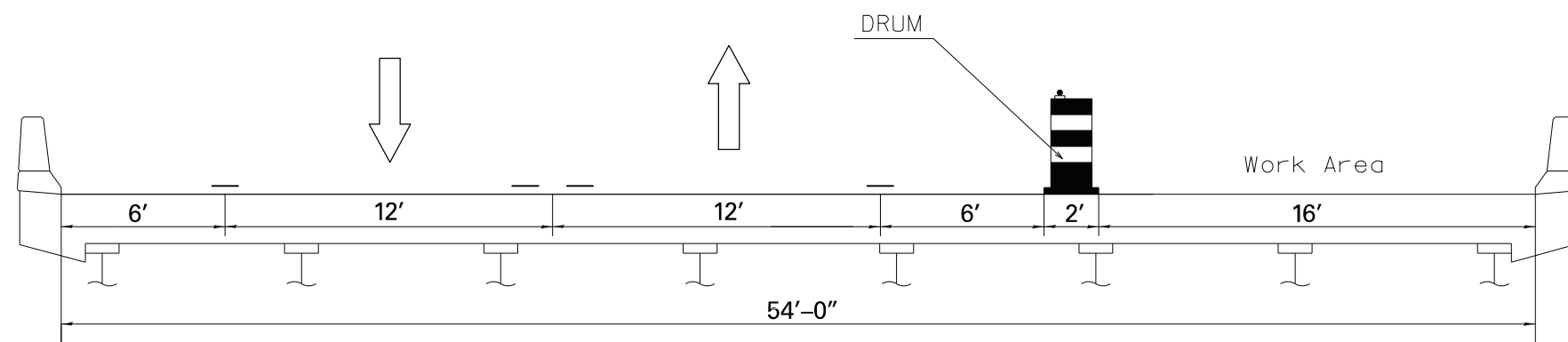
## NOTES:

Type III barricade to be placed when no work is being performed.

Remove conflicting pavement marking

## LEGEND:

- Drum with steady burning bi-directional light to be spaced at 40 ft
- Sign with flashing light
- Work area
- Sign
- Type III barricade



**STAGE 2 CROSS-SECTION**

DESIGNED -	REVISED -
DRAWN -	REVISED -
CHECKED -	REVISED -
DATE -	REVISED -

**STATE OF ILLINOIS  
DEPARTMENT OF TRANSPORTATION**

**TRAFFIC CONTROL STAGE 2  
Bridge No. 2 SN: 071-0025**

F.A.P. RTE.	SECTION	COUNTY	TOTAL SHEETS	SHEET NO.
IL 2 D2 BRIDGE PAINTING 2014-1	LEE / OGLE		25	7
			CONTRACT NO. 64J52	
ILLINOIS				