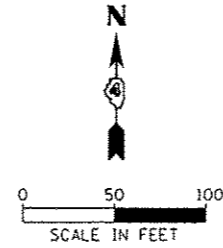
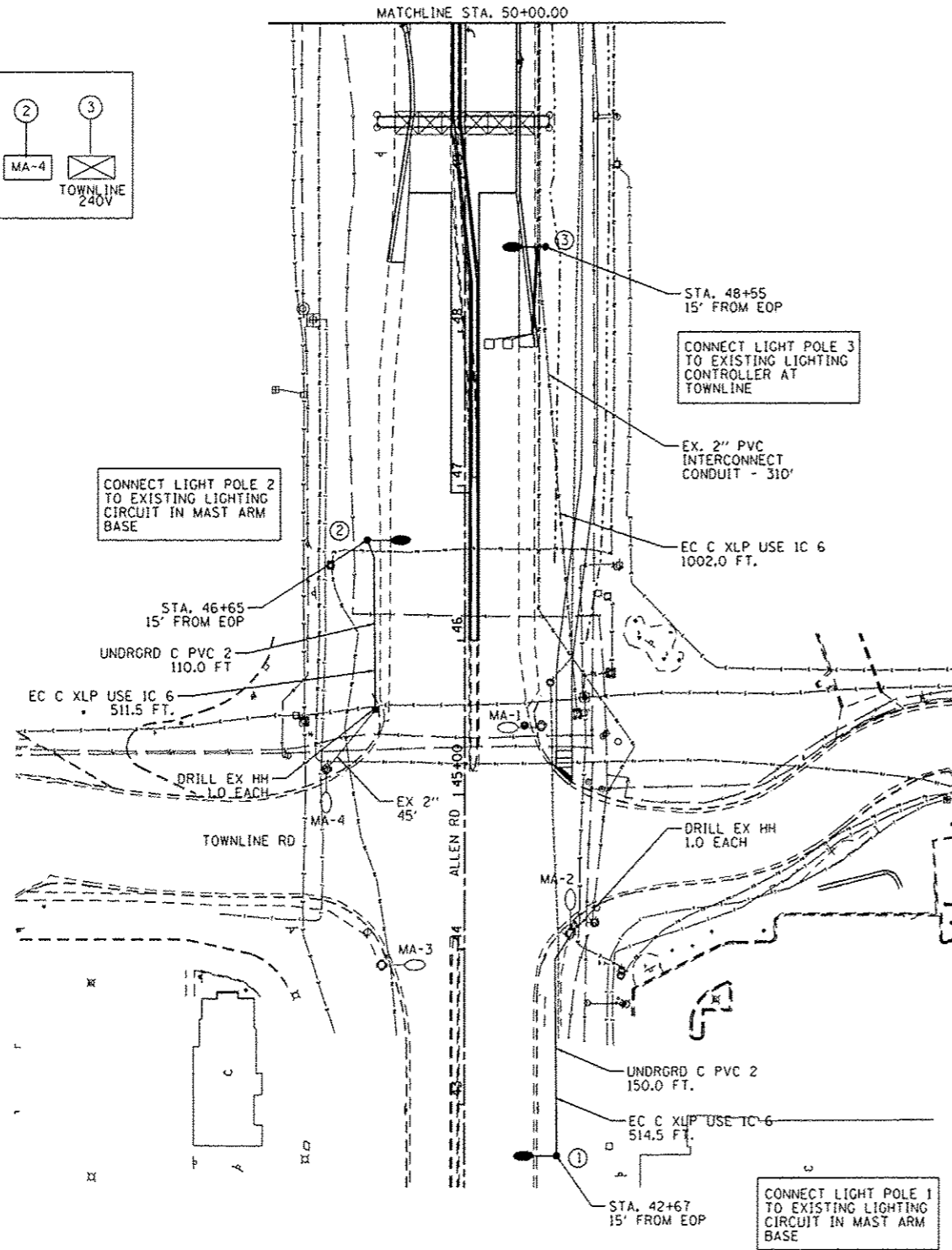
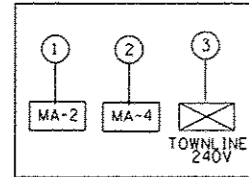
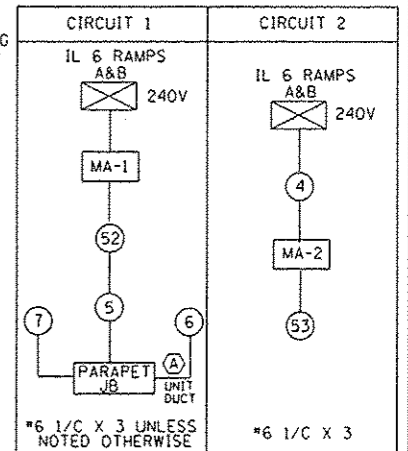
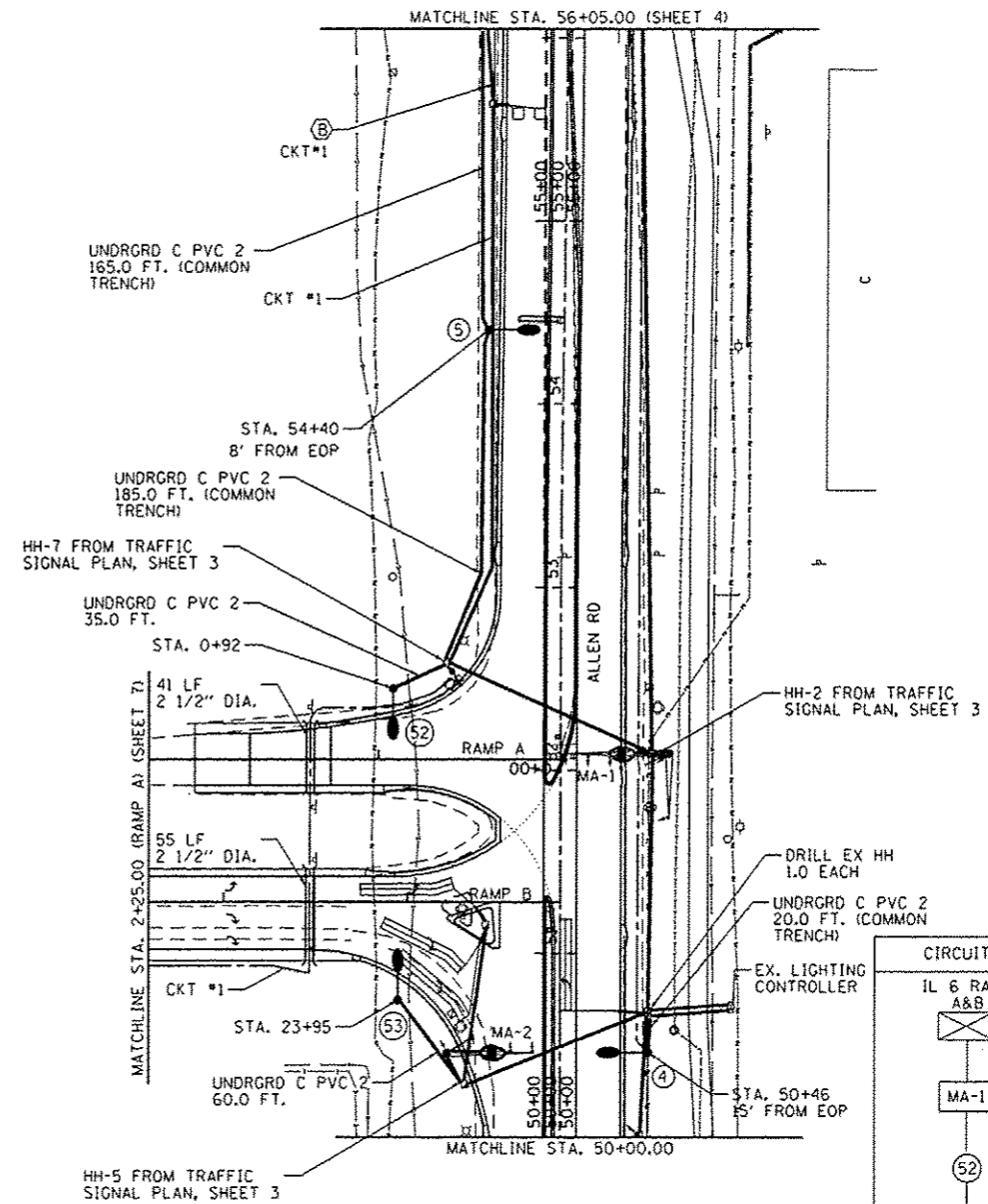


BILL OF MATERIALS - ALLEN RD. & TOWNLINE RD. LIGHTING		
ITEM DESCRIPTION	UNIT	TOTAL QTY.
UNDERGROUND CONDUIT, PVC, 2" DIA.	FOOT	280.0
ELECTRIC CABLE IN CONDUIT, 600V (XLP-TYPE USE) 1/C NO. 6	FOOT	2028.0
LUMINAIRE, SODIUM VAPOR, HORIZONTAL MOUNT, 400 WATT	EACH	3.0
LIGHT POLE, GALVANIZED STEEL, 50 FT. M.H., 15 FT. MAST ARM	EACH	3.0
LIGHT POLE FOUNDATION, 30" DIAMETER	FOOT	21.0
BREAKAWAY DEVICE, TRANSFORMER BASE, 15 INCH BOLT CIRCLE	EACH	3.0
DRILL EXISTING HANDHOLE	EACH	2.0



BILL OF MATERIALS - ALLEN RD. & IL 6 NB RAMPS A&B		
ITEM DESCRIPTION	UNIT	TOTAL QTY.
UNDERGROUND CONDUIT, PVC, 2" DIA.	FOOT	579.0
UNDERGROUND CONDUIT, PVC, 2 1/2" DIA.	FOOT	96.0
UNIT DUCT, 600V, 2-1C NO. 8, 1/C NO. 8 GROUND, (XLP-TYPE USE), 3/4" DIA. POLYETHYLENE	FOOT	175.0
UNIT DUCT, 600V, 2-1C NO. 4, 1/C NO. 6 GROUND, (XLP-TYPE USE), 1" DIA. POLYETHYLENE	FOOT	670.0
ELECTRIC CABLE IN CONDUIT, 600V (XLP-TYPE USE) 1/C NO. 6	FOOT	4053.3
LUMINAIRE, SODIUM VAPOR, HORIZONTAL MOUNT, 250 WATT	EACH	2.0
LUMINAIRE, SODIUM VAPOR, HORIZONTAL MOUNT, 400 WATT	EACH	8
LIGHT POLE, GALVANIZED STEEL, 45 FT. M.H., 15 FT. MAST ARM	EACH	1.0
LIGHT POLE, GALVANIZED STEEL, 50 FT. M.H., 15 FT. MAST ARM	EACH	5.0
LIGHT POLE FOUNDATION, 30" DIAMETER	FOOT	35.0
BREAKAWAY DEVICE, TRANSFORMER BASE, 15 INCH BOLT CIRCLE	EACH	5.0
DRILL EXISTING HANDHOLE	EACH	1.0



MAURER-STUTZ ENGINEERS

FILE NAME: S:\237\2013\23713889\001\11-11-13\RD\PHD\CA00	USER NAME: basonson	DESIGNED: -	REVISED: -
CADD Sheets\0456093-shr-lighting_03.dgn		DRAWN: -	REVISED: -
PL01 SCALE: 1/8"=1'-0"		CHECKED: -	REVISED: -
PL01 DATE: 1/29/2014 12:21:22 PM		DATE: -	REVISED: -

STATE OF ILLINOIS
DEPARTMENT OF TRANSPORTATION

ALLEN ROAD IMPROVEMENTS
LIGHTING - ALLEN ROAD

SCALE: SHEET 3 OF 19 SHEETS STA. TO STA.

F.A.U. RTE.	SECTION	COUNTY	TOTAL SHEETS	SHEET NO.
6584	105: (72-THB)BY	PEORIA	487	271
6585			CONTRACT NO. 68683	
ILLINOIS FED. AID PROJECT				