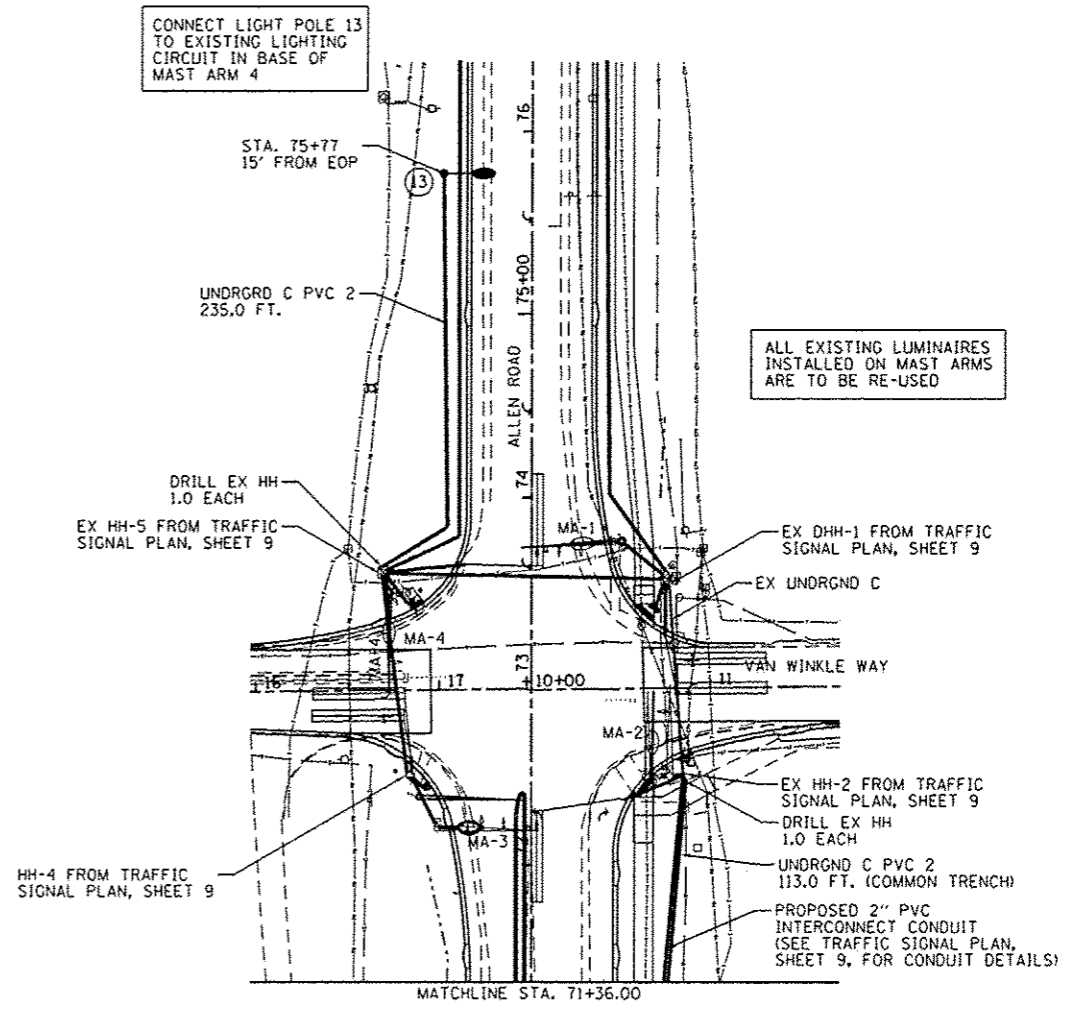
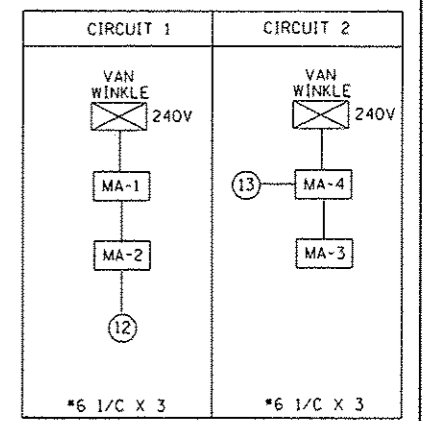
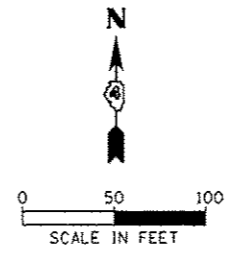
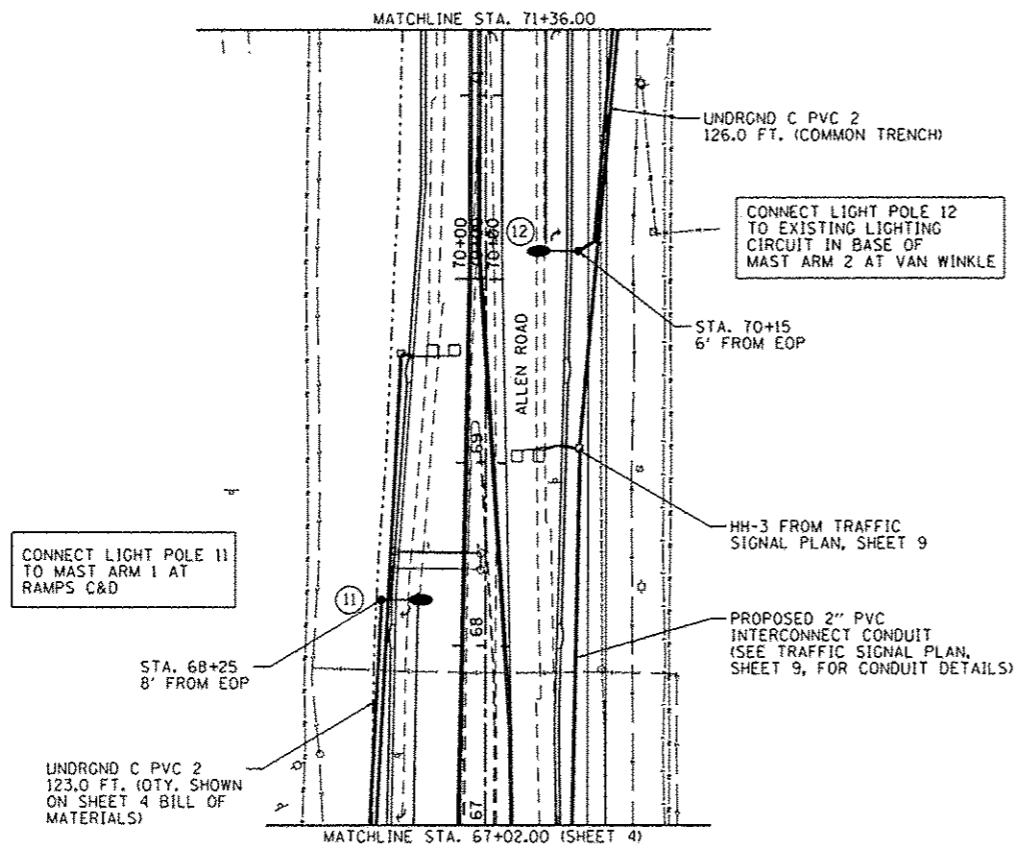


QUANTITIES IN THIS VIEW ARE INCLUDED IN THE BILL OF MATERIALS FOR ALLEN RD. & VAN WINKLE WAY AND ALLEN RD. & IL 6 SB RAMPS C&D



BILL OF MATERIALS - ALLEN RD. & VAN WINKLE LIGHTING		
ITEM DESCRIPTION	UNIT	TOTAL QTY.
UNDERGROUND CONDUIT, PVC, 2" DIA.	FOOT	474.0
ELECTRIC CABLE IN CONDUIT, 600V (XLP-TYPE USE) 1/C NO. 6	FOOT	3215.4
LUMINAIRE, SODIUM VAPOR, HORIZONTAL MOUNT, 400 WATT	EACH	2.0
LIGHT POLE, GALVANIZED STEEL, 50 FT. M.H., 15 FT. MAST ARM	EACH	2.0
LIGHT POLE FOUNDATION, 30" DIAMETER	FOOT	14.0
BREAKAWAY DEVICE, TRANSFORMER BASE, 15 INCH BOLT CIRCLE	EACH	2.0
DRILL EXISTING HANDHOLE	EACH	2.0

MAURER-STUTZ ENGINEERS

FILE NAME	USER NAME = bawanson	DESIGNED -	REVISED -
S:\237\2013\23713809\001\AllenRdPH\11\CA00	CADD Sheets\0460603-sh1-lighting 05.dgn	DRAWN -	REVISED -
Default	PLOT SCALE = 1/8" = 1' / in.	CHECKED -	REVISED -
	PLOT DATE = 1/29/2014 12:42:13 PM	DATE -	REVISED -

STATE OF ILLINOIS
DEPARTMENT OF TRANSPORTATION

ALLEN ROAD IMPROVEMENTS
LIGHTING - ALLEN ROAD

SCALE: SHEET 5 OF 19 SHEETS STA. TO STA.

F.A.J. RTE.	SECTION	COUNTY	TOTAL SHEETS	SHEET NO.
6584	105: 172-THBIBY	PEORIA	487	273
6585			CONTRACT NO. 68683	
ILLINOIS FED. AID PROJECT				