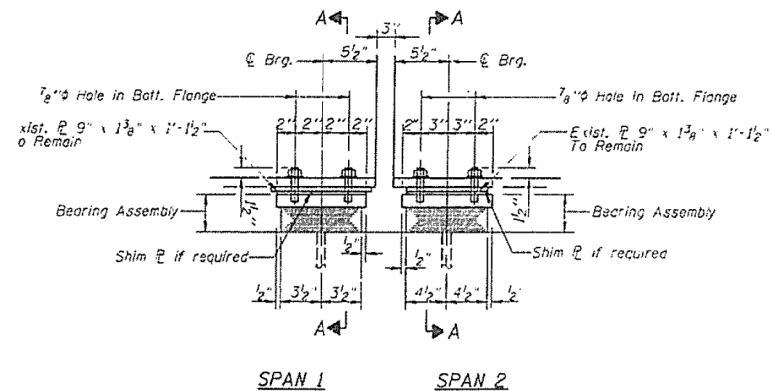
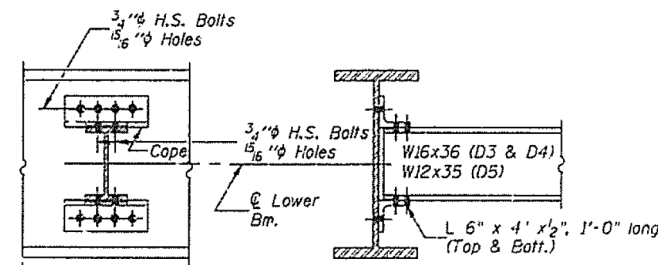


LOC.1 S.N. 090-0071 (EB) & LOC.2 S.N. 090-0072 (WB) BEARINGS AND DIAPHRAGMS



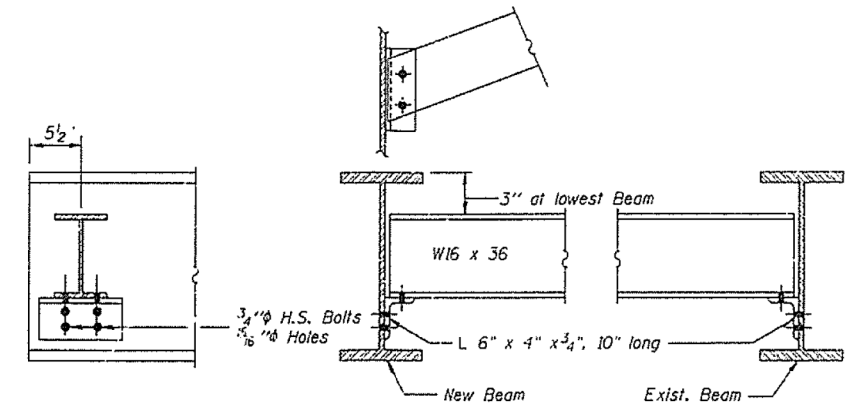
ELEVATION AT PIER 1

(Beams 1, 9 & 10 S.N. 0071)
(Beams 1, 6 & 7 S.N. 0072)



DIAPHRAGMS D3, D4 & D5

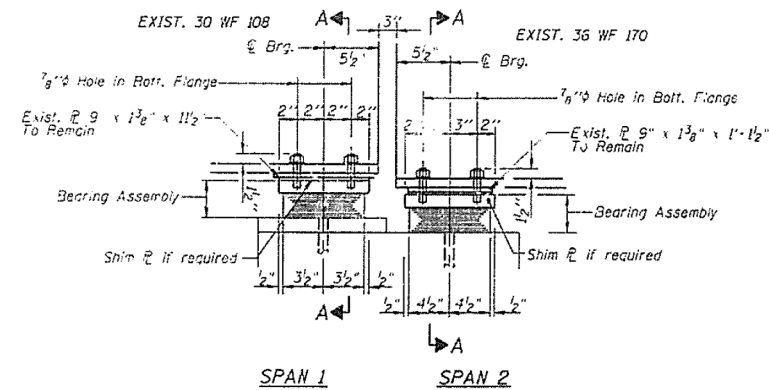
NOTES: Two hardened washers shall be required over all 5/16" dia. holes. Horizontal leg of angles shall be bent to the slope b/w beams.



DIAPHRAGMS D1 & D2

NOTES: Two hardened washers shall be required over all 5/16" dia. holes.

Holes in angles for end diaphragms of existing beams shall be field drilled using existing holes in web as a template. Cost of field drilling holes and removing existing rivets is incidental to "Furnishing and Erecting Structural Steel."



ELEVATION AT PIER 1

(Beams 2-8 S.N. 0071)
(Beams 2-5 S.N. 0072)

TYPE I ELASTOMERIC EXP. BRG.

FILE NAME =	USER NAME = aubreys	DESIGNED -	REVISED -	STATE OF ILLINOIS DEPARTMENT OF TRANSPORTATION	LOCATION 1&2 BEARING & DIAPHRAGM INFORMATION ONLY				F.A. RTE.	SECTION	COUNTY	TOTAL SHEETS	SHEET NO.
ci:\users\aubreys\desktop\68b49\68b49	2014 Metalizing.dgn	DRAWN -	REVISED -						VAR	D4 Bridge Metalizing 2014	Various	23	9
Default	PLOT SCALE = 100.0000' / in.	CHECKED -	REVISED -		CONTRACT NO. 68B49				ILLINOIS FED. AID PROJECT				
	PLOT DATE = 2/14/2014	DATE -	REVISED -		SCALE:	SHEET	OF	SHEETS	STA.	TO	STA.		