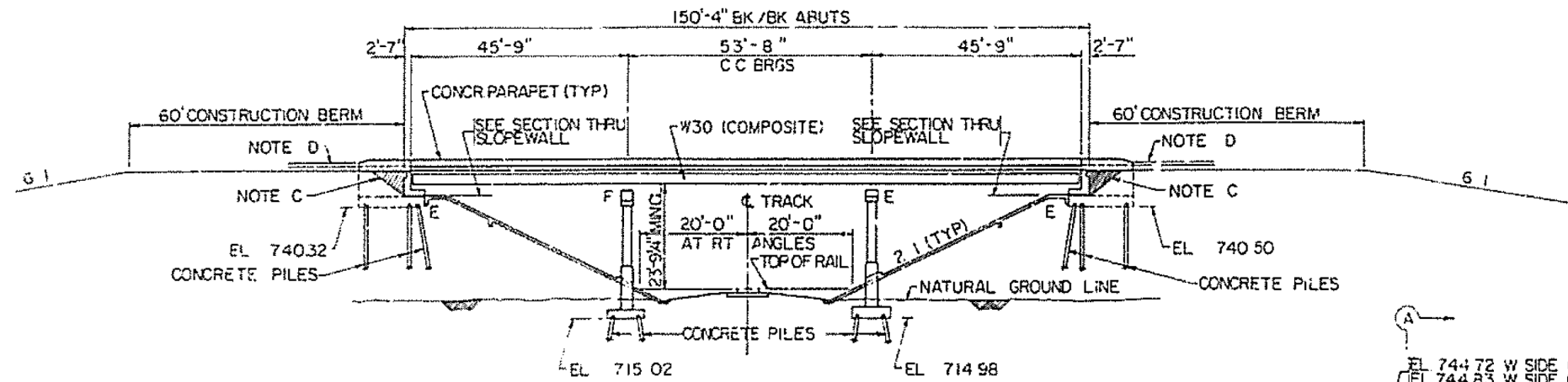
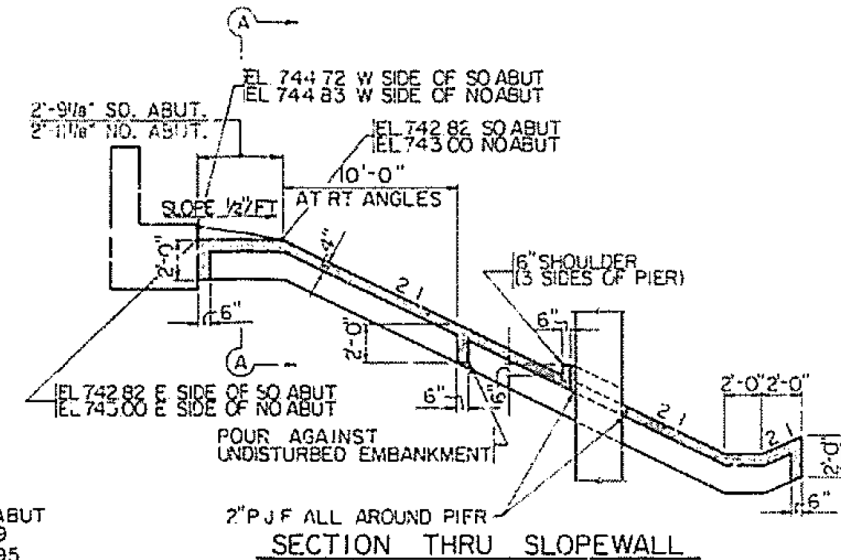


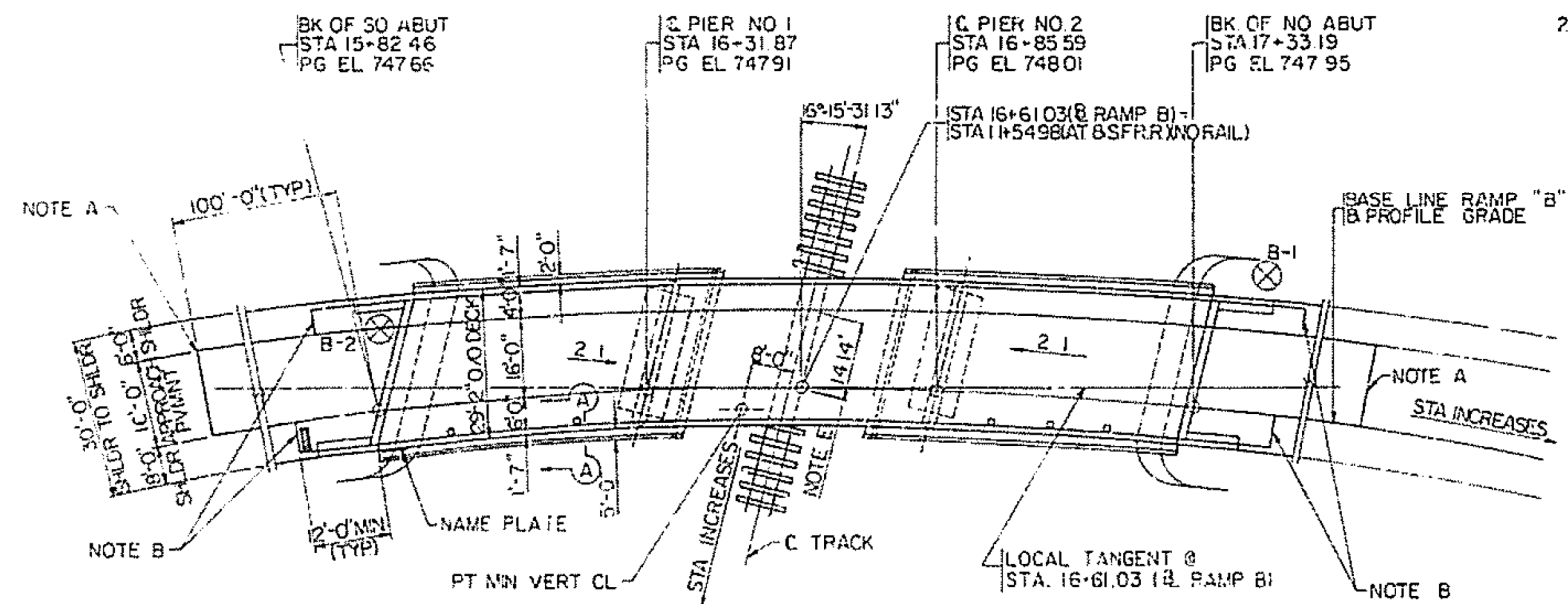
# LOC.5 S.N. 090-0127



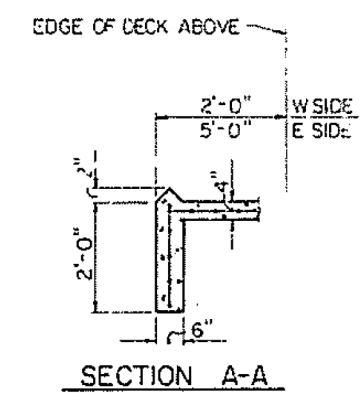
ELEVATION



SECTION THRU SLOPEWALL



PLAN



SECTION A-A



FILE NAME =	USER NAME = aubreys	DESIGNED -	REVISED -	<b>STATE OF ILLINOIS DEPARTMENT OF TRANSPORTATION</b>	<b>LOCATION 5 ELEVATION VIEW INFORMATION ONLY</b>				F.A. RTE.	SECTION	COUNTY	TOTAL SHEETS	SHEET NO.			
ci:\users\aubreys\desktop\68b49\68b49	2014 Metalizing.dgn	DRAWN -	REVISED -		SCALE:	SHEET	OF	SHEETS	STA.	TO	STA.	VAR	D4 Bridge Metalizing 2014	Illinois	23	13
Default	PLOT SCALE = 100.0000' / in.	CHECKED -	REVISED -										Various			
	PLOT DATE = 2/14/2014	DATE -	REVISED -										CONTRACT NO. 68B49			