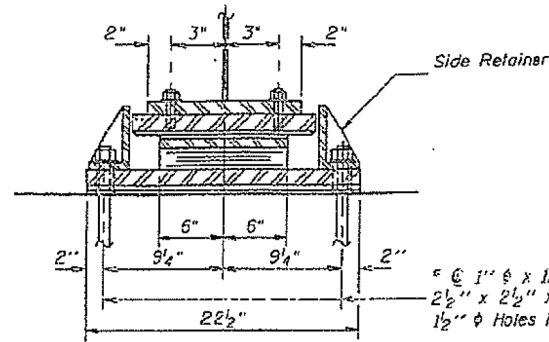


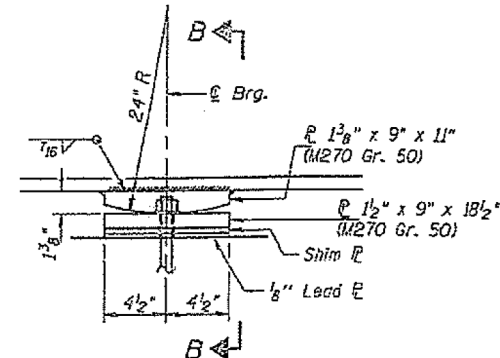
ELEVATION AT ABUT.

TYPE II TFE ELASTOMERIC EXP. BRG. E. & W. ABUTS.



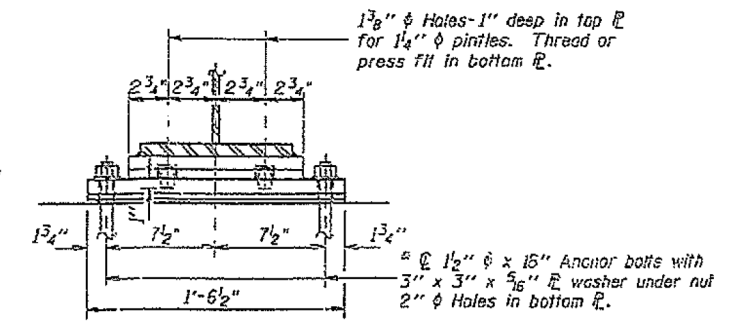
SECTION A-A

* Notes: Anchor bolts at fixed bearings may be built into the masonry. See sheet #12 of 21 for Anchor Bolt installation.

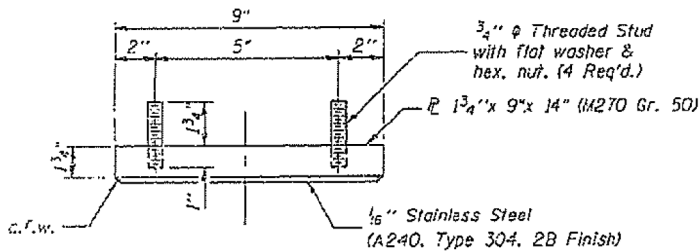


ELEVATION AT PIER 2

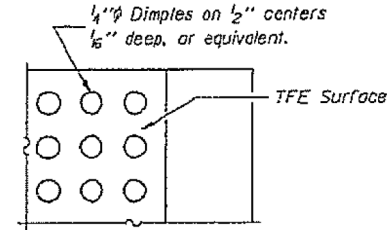
FIXED BEARING



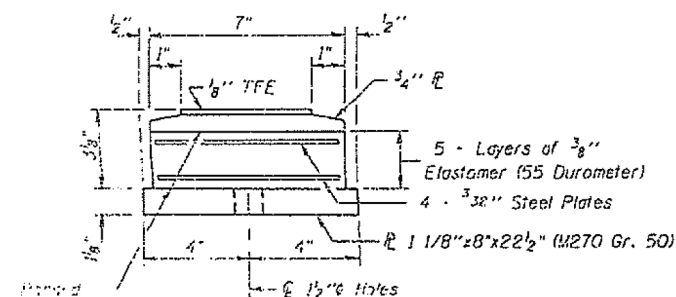
SECTION B-B



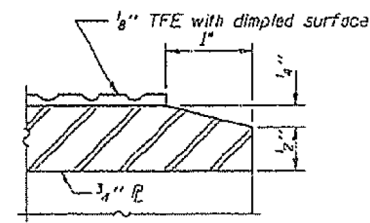
TOP BEARING ASSEMBLY



PLAN-TFE SURFACE



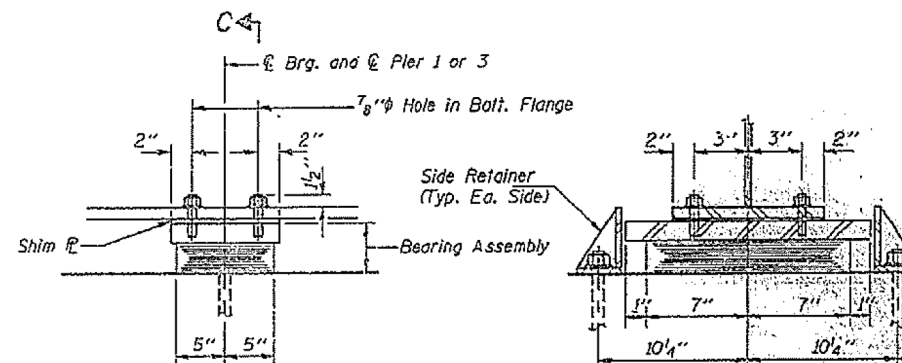
BOTTOM BEARING ASSEMBLY



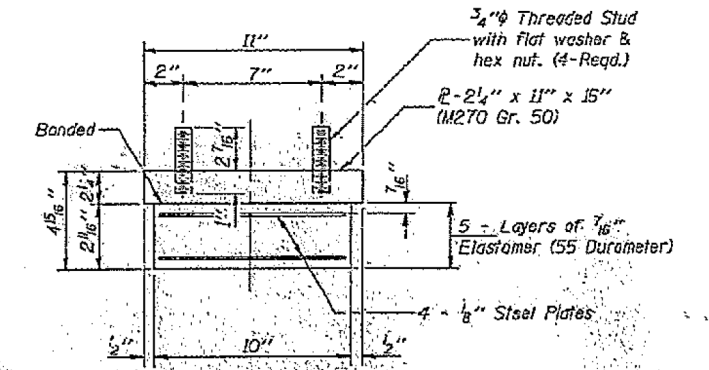
SECTION THRU TFE

Note: The 1/8" TFE sheet shall be banded directly to the top steel plate with a two-component, medium viscosity epoxy resin, conforming to the requirements of the Federal Specification MMM-A-134, Type 1. The bond agent shall be applied on the full area of the contact surfaces.

Bonding of 1/8" TFE sheet during vulcanizing process will be permitted provided the process and method of adjusting assembly height is approved by the Engineer.

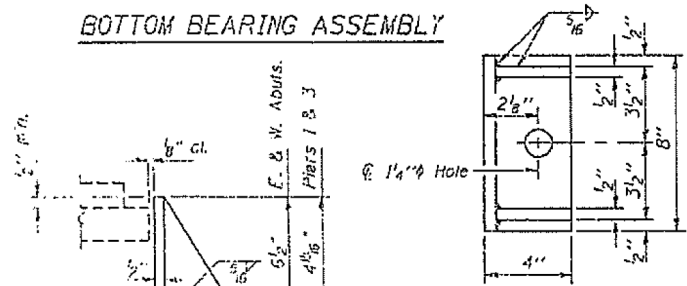


ELEVATION



BEARING ASSEMBLY (Piers 1 and 3)

Note: Shim plates shall not be placed under Bearing Assembly.



SIDE RETAINER

Equivalent rolled angle with stiffeners will be allowed in lieu of welded plates. Weight included with Structural Steel.

TYPE I ELASTOMERIC EXP. BRG. PIERS 1 AND 3

FILE NAME =	USER NAME = aubreys	DESIGNED -	REVISED -
c:\users\aubreys\desktop\68b49\68B49	2014 Metalizing.dgn	DRAWN -	REVISED -
Default	PLOT SCALE = 100.0000 / in.	CHECKED -	REVISED -
	PLOT DATE = 2/14/2014	DATE -	REVISED -

STATE OF ILLINOIS
DEPARTMENT OF TRANSPORTATION

LOCATION 6 BEARING DETAIL
INFORMATION ONLY

SCALE:	SHEET	OF	SHEETS	STA.	TO	STA.
--------	-------	----	--------	------	----	------

F.A. RTE.	SECTION	COUNTY	TOTAL SHEETS	SHEET NO.
VAR D4 Bridge Metalizing 2014	Various	Illinois	23	18
			CONTRACT NO. 68B49	
ILLINOIS FED. AID PROJECT				