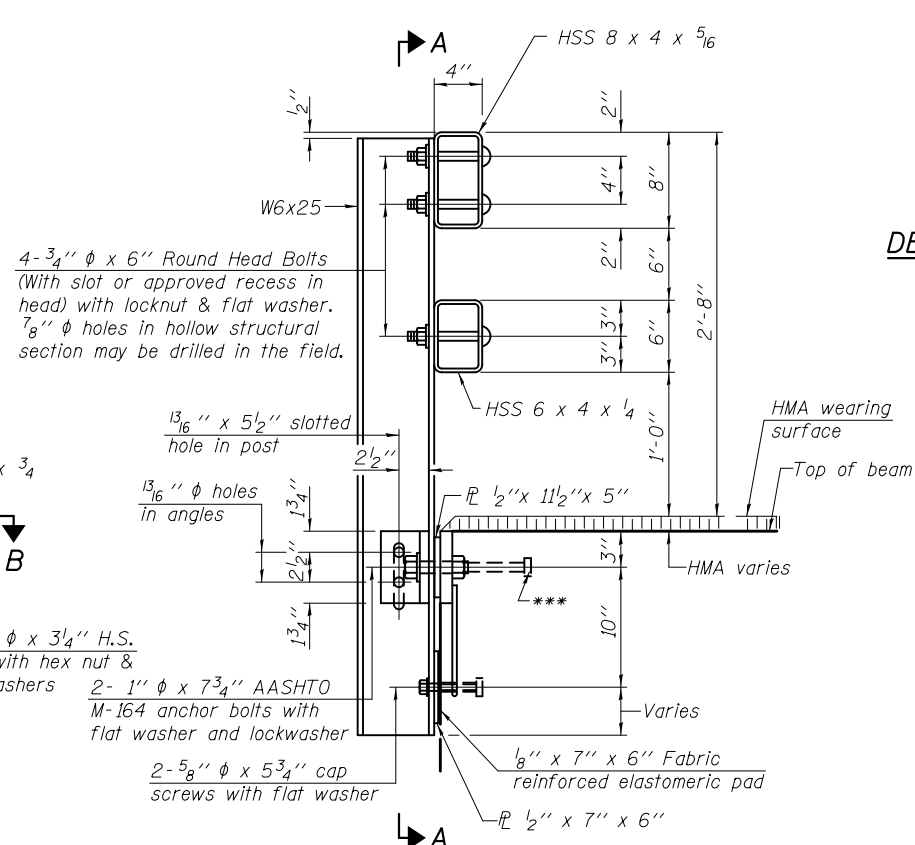
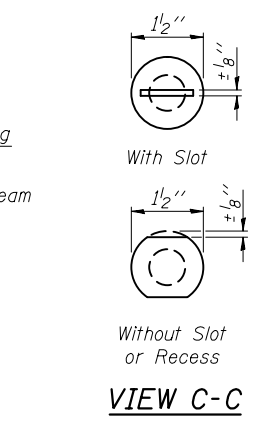
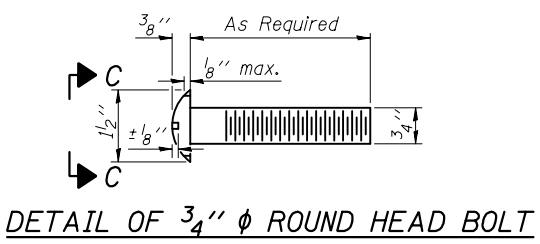


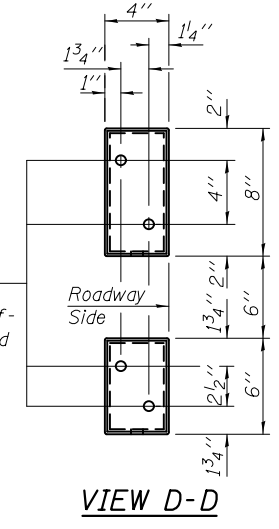
SECTION A-A



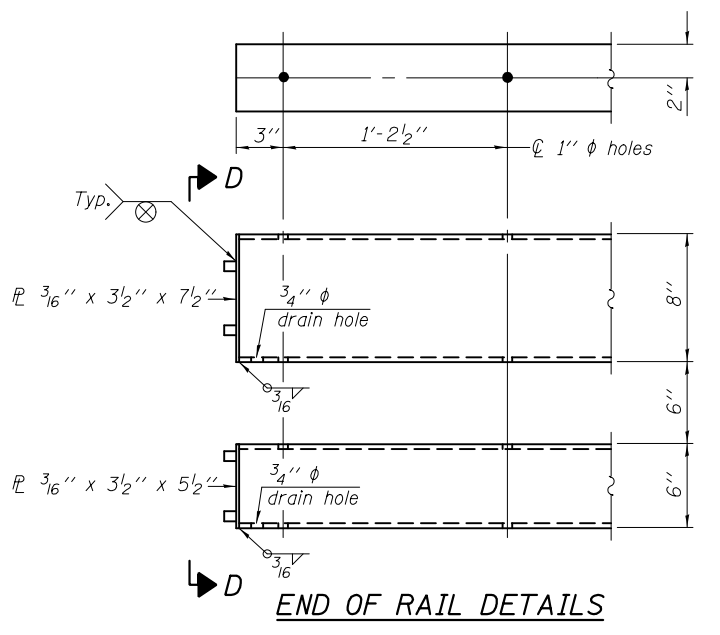
SECTION AT RAIL POST



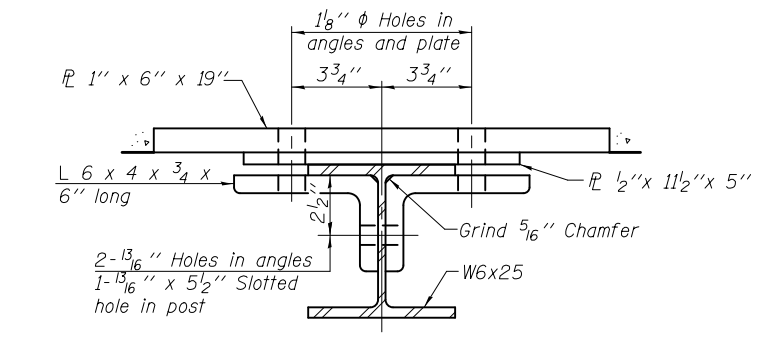
VIEW C-C



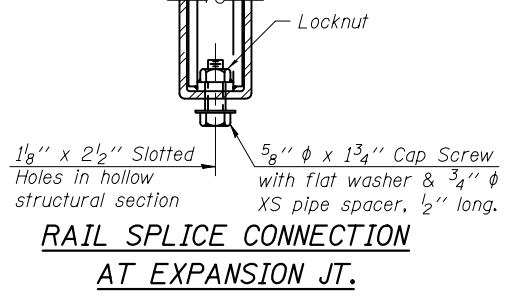
VIEW D-D



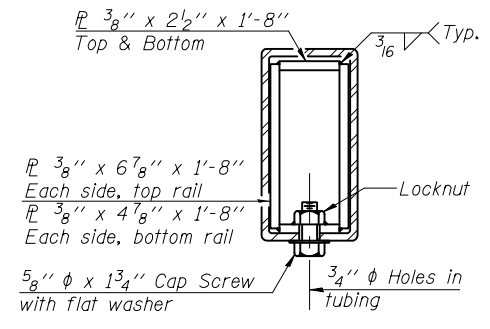
END OF RAIL DETAILS



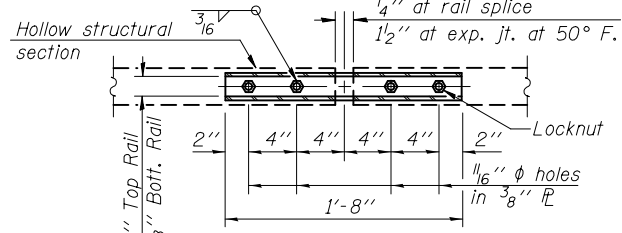
SECTION B-B



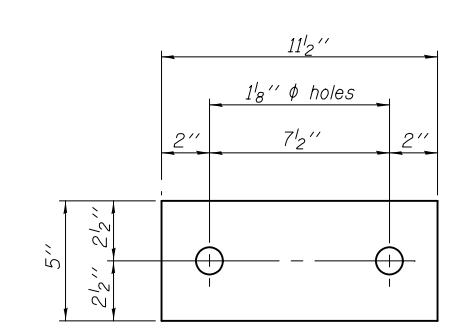
RAIL SPLICE CONNECTION AT EXPANSION JT.



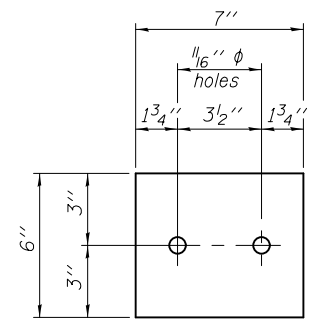
SECTION AT RAIL SPLICE



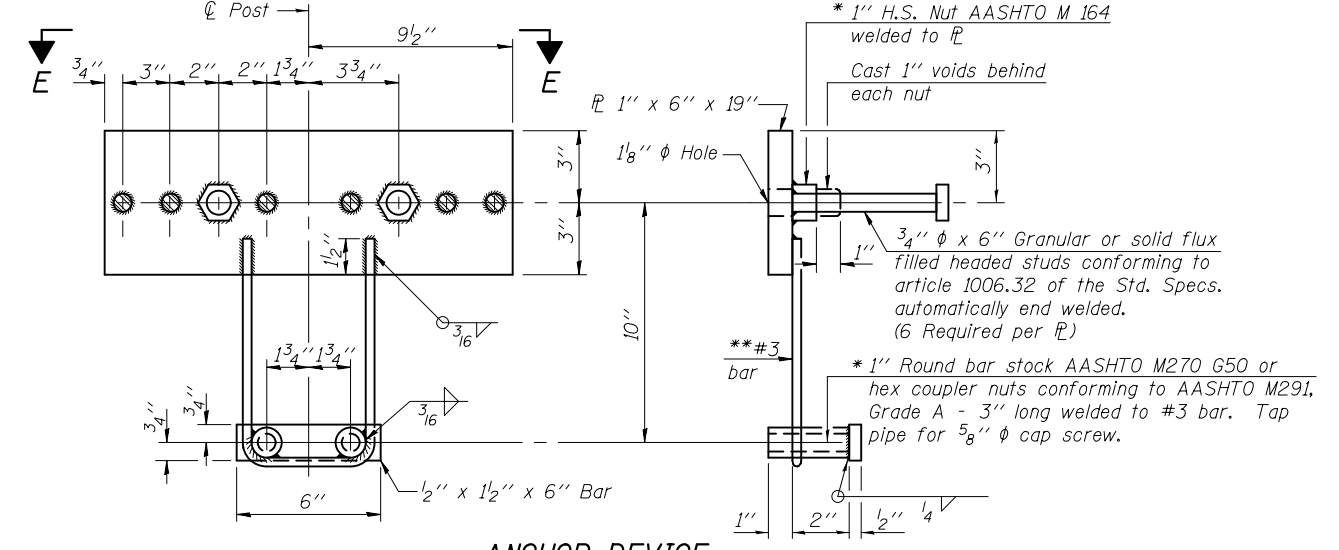
PLAN-BOTT. SPLICE R TYPICAL



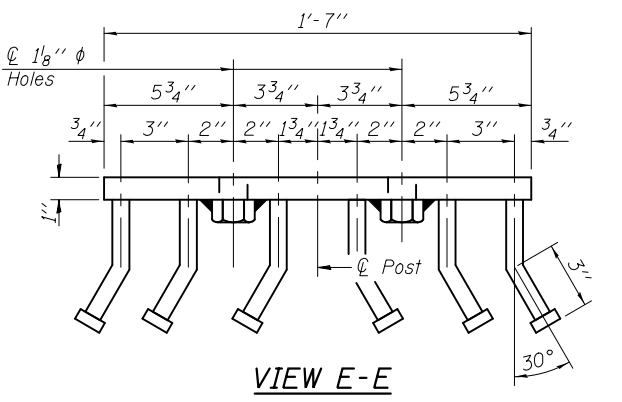
PL 1/2" x 11 1/2" x 5"



PL 1/2" x 7" x 6"



ANCHOR DEVICE



VIEW E-E

Notes:
 All field drilled holes shall be coated with an approved zinc rich paint before erection.
 For multi-span bridges, sufficient 1/4" x 6" x 1'-2" galvanized steel shims shall be provided to align rail between adjacent spans. Cost included with Steel Railing, Type SM.
 All steel rail members shall be galvanized according to Article 509.05 of the Standard Specifications.
 For rail post spacing, see sheet 4 of 10.

** Whenever the lower insert assemblies interfere with strand locations, the #3 bars shall be cut and adjusted in order to allow raising or lowering of the lower inserts. Maximum adjustment not to exceed 1/2".
 *** The studs of the anchor devices shall be placed below the top reinforcement bars and the outermost longitudinal reinforcement bar shall be placed directly above the studs of the rail post anchor device.

BILL OF MATERIAL

Item	Unit	Quantity
Steel Railing, Type SM	Foot	126

(6'-3" Maximum Post Spacing) (1/4" minimum to 3/8" maximum HMA thickness)

*Threaded areas shall be plugged or blocked off during casting of beam. Galvanized after fabrication.