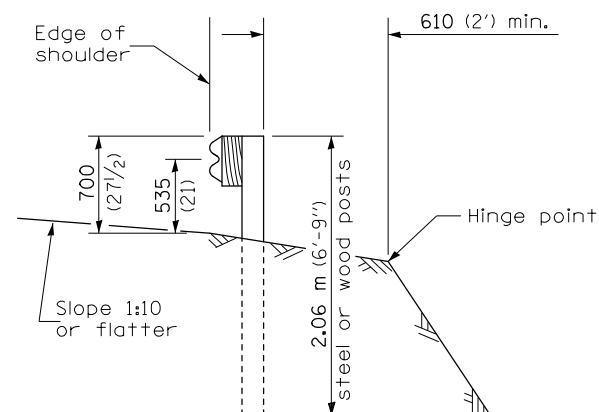


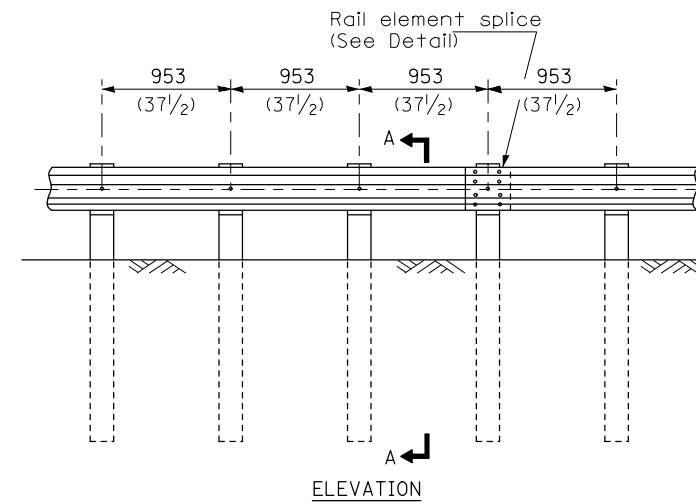
ELEVATION

**TYPE A**

1.905 m (6'-3") Typical post spacing



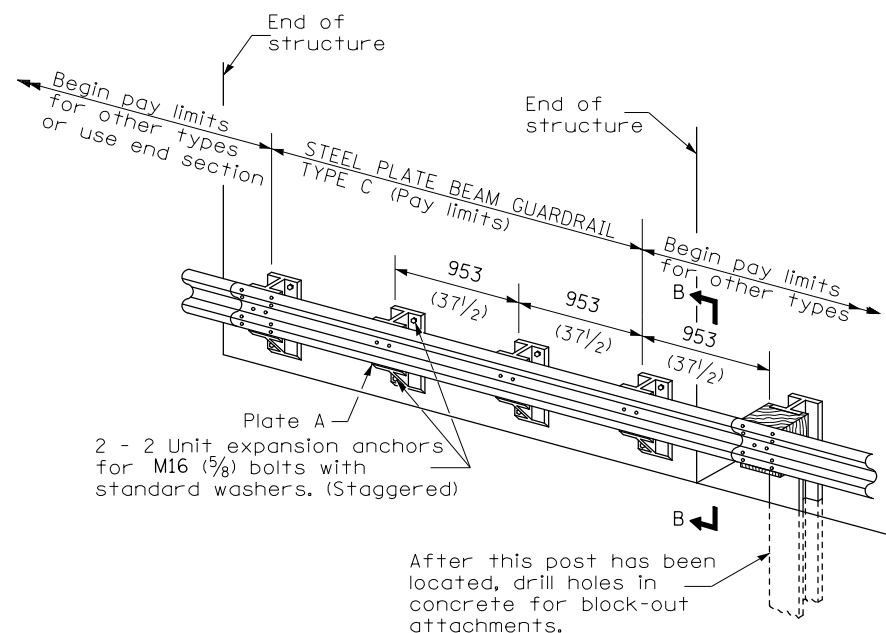
SECTION A-A



ELEVATION

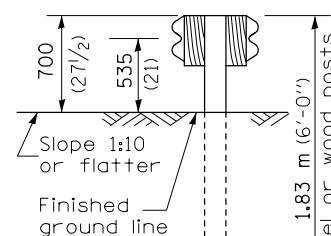
**TYPE B**

953 (37 1/2) Closed post spacing

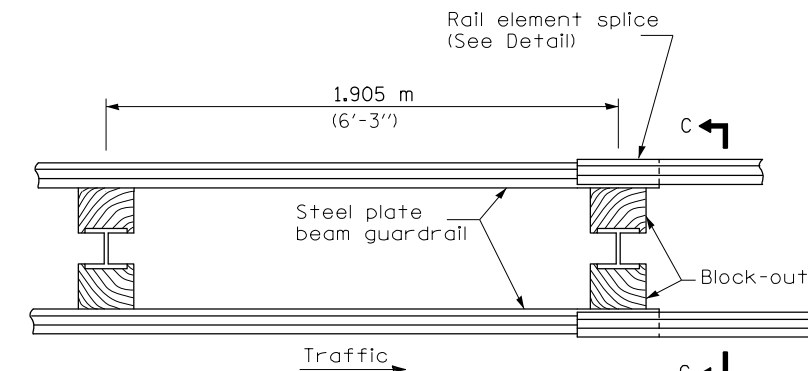


**TYPE C**

953 (37 1/2) Block-out spacing



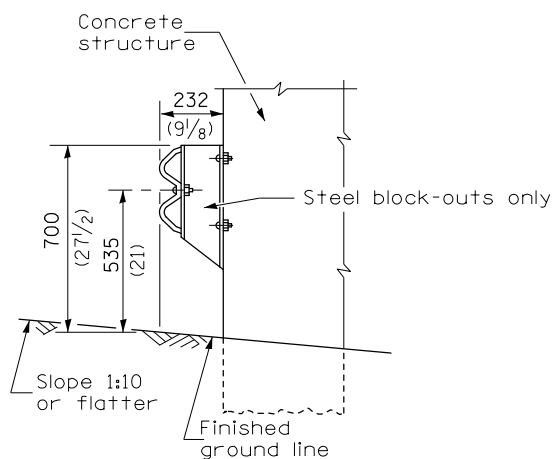
SECTION C-C



PLAN

**TYPE D**

Double steel plate beam guardrail  
1.905 m (6'-3") typical post spacing



SECTION B-B

**GENERAL NOTES**

All slope ratios are expressed as units of vertical displacement to units of horizontal displacement (V:H).

All dimensions are in millimeters (inches) unless otherwise shown.

DATE	REVISIONS
4-1-06	Deleted plate washer F.
1-1-05	Rev. post in impervious material on sheet 4.

**STEEL PLATE BEAM GUARDRAIL**

(Sheet 1 of 4)

**STANDARD 630001-06**

FILE NAME =	USER NAME = ceorlockjd	DESIGNED -	REVISED -
ei:\pwwork\pwwork\ceorlockjd\0377705\0570059-sht-Details.dgn		DRAWN -	REVISED -
	PLOT SCALE = 40.0000' / in.	CHECKED -	REVISED -
\$MODELNAME\$	PLOT DATE = 1/30/2014	DATE -	REVISED -

**STATE OF ILLINOIS  
DEPARTMENT OF TRANSPORTATION**

**DETAIL OF 27 1/2" STEEL PLATE BEAM GUARDRAIL**

SCALE: SHEET 1 OF 4 SHEETS STA. TO STA.

F.A. RTE.	SECTION	COUNTY	TOTAL SHEETS	SHEET NO.
VAR.	.	VARIOUS	10	7
			CONTRACT NO. 70A59	
ILLINOIS FED. AID PROJECT				

• D5 GUARDRAIL & FENCE REPAIR 2015