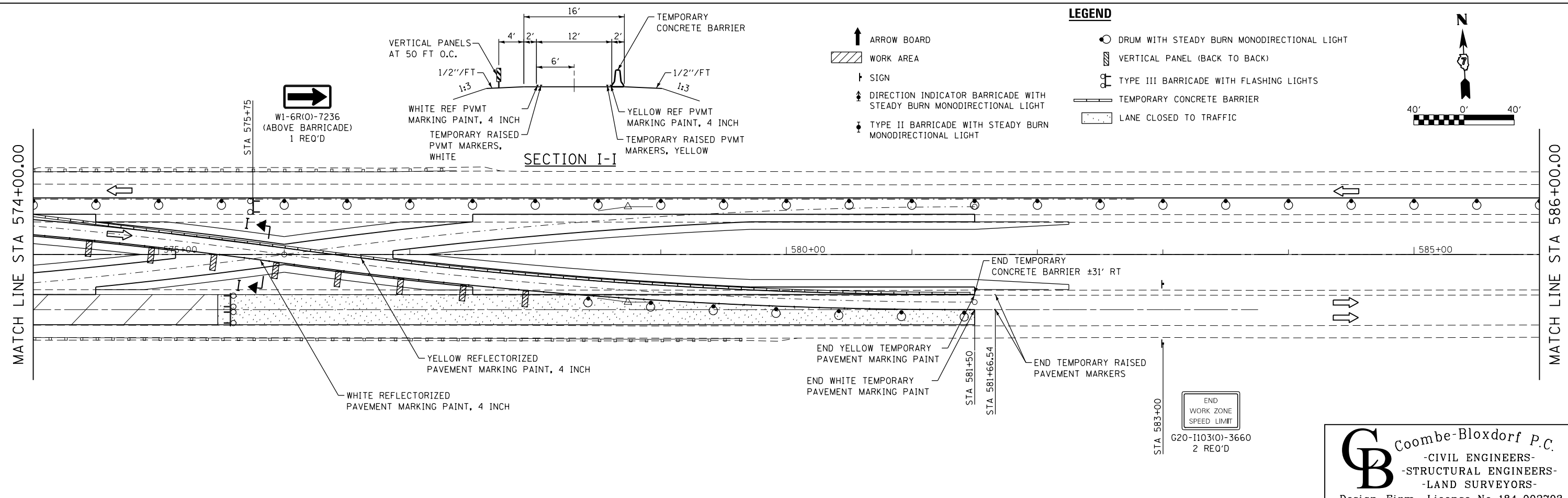


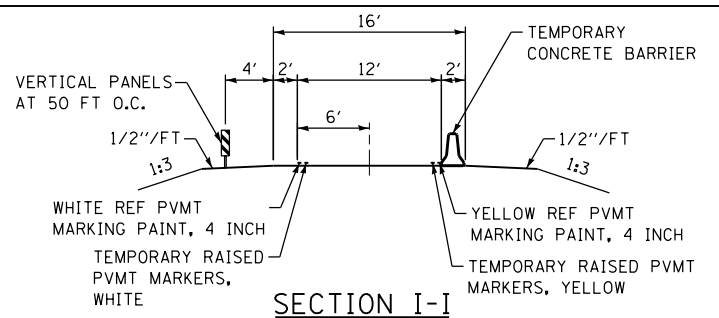
NOTE:  
SEE STANDARD 701416 AND SPECIAL  
PROVISIONS FOR FURTHER INFORMATION



**LEGEND**

- ↑ ARROW BOARD
- ▨ WORK AREA
- ↑ SIGN
- ⚡ DIRECTION INDICATOR BARRICADE WITH STEADY BURN MONODIRECTIONAL LIGHT
- ⚡ TYPE II BARRICADE WITH STEADY BURN MONODIRECTIONAL LIGHT
- ⦿ DRUM WITH STEADY BURN MONODIRECTIONAL LIGHT
- ▨ VERTICAL PANEL (BACK TO BACK)
- ⚡ TYPE III BARRICADE WITH FLASHING LIGHTS
- ▬ TEMPORARY CONCRETE BARRIER
- ▬ LANE CLOSED TO TRAFFIC

**SECTION I-I**



**CB** Coombe-Bloxdorf P.C.  
- CIVIL ENGINEERS -  
- STRUCTURAL ENGINEERS -  
- LAND SURVEYORS -  
Design Firm License No. 184-002703

FILE NAME = ...\\0774175-064-staging-4-05.dgn	USER NAME = cfc	DESIGNED - CFC	REVISED -
Default	PLOT SCALE = 80.000000' / in.	DRAWN - CFC	REVISED -
CB PROJECT NO 10029-5	PLOT DATE = 2/20/2014	CHECKED - MCB	REVISED -
		DATE -	REVISED -

**STATE OF ILLINOIS  
DEPARTMENT OF TRANSPORTATION**

**STAGE IV TRAFFIC CONTROL**

SCALE: SHEET 5 OF 7 SHEETS STA. TO STA.

F.A.I. RTE.	SECTION	COUNTY	TOTAL SHEETS	SHEET NO.
70	(26-3B-1, 3B-1(3)) BR	FAYETTE	277	64
CONTRACT NO. 74175			ILLINOIS FED. AID PROJECT	