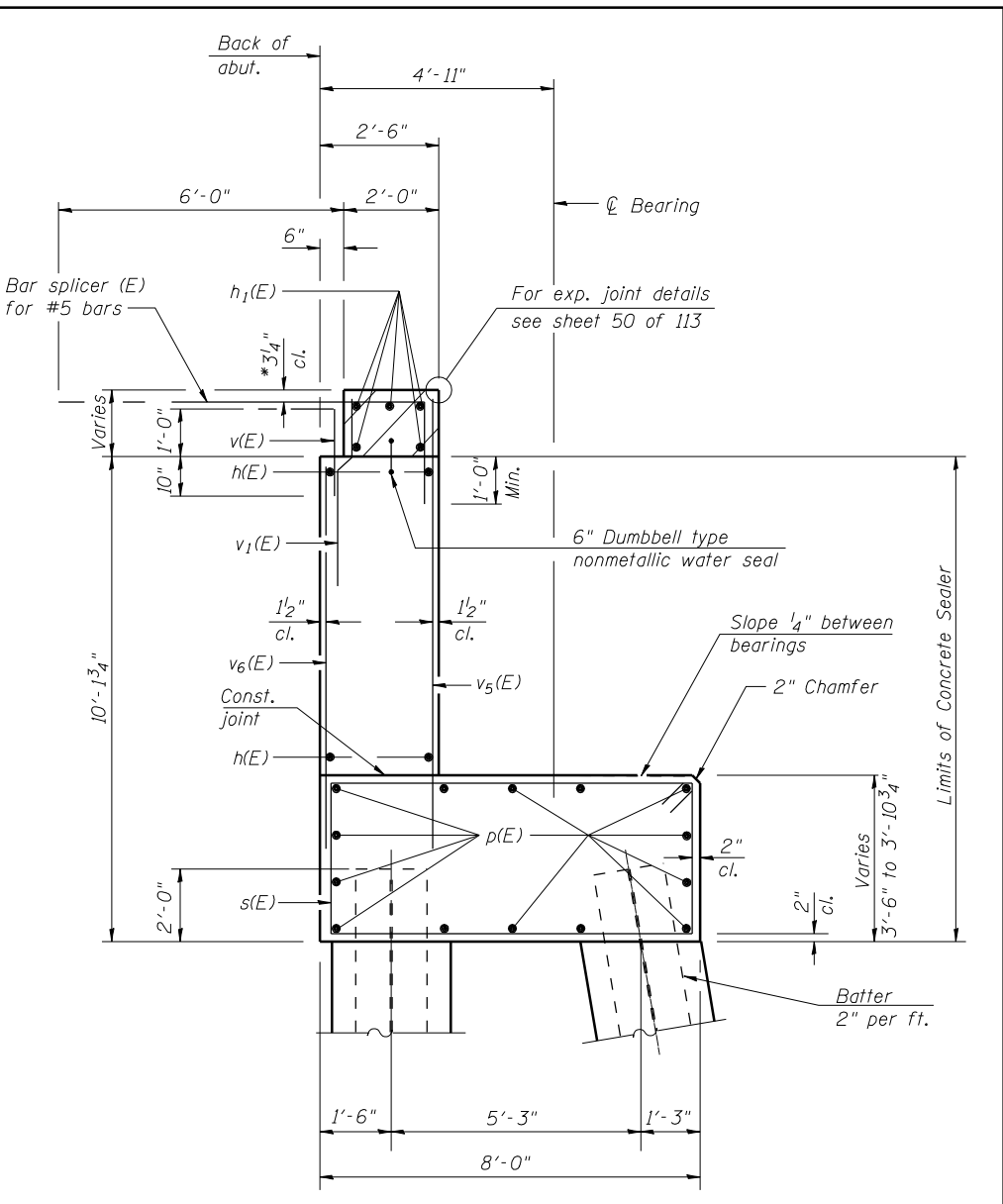
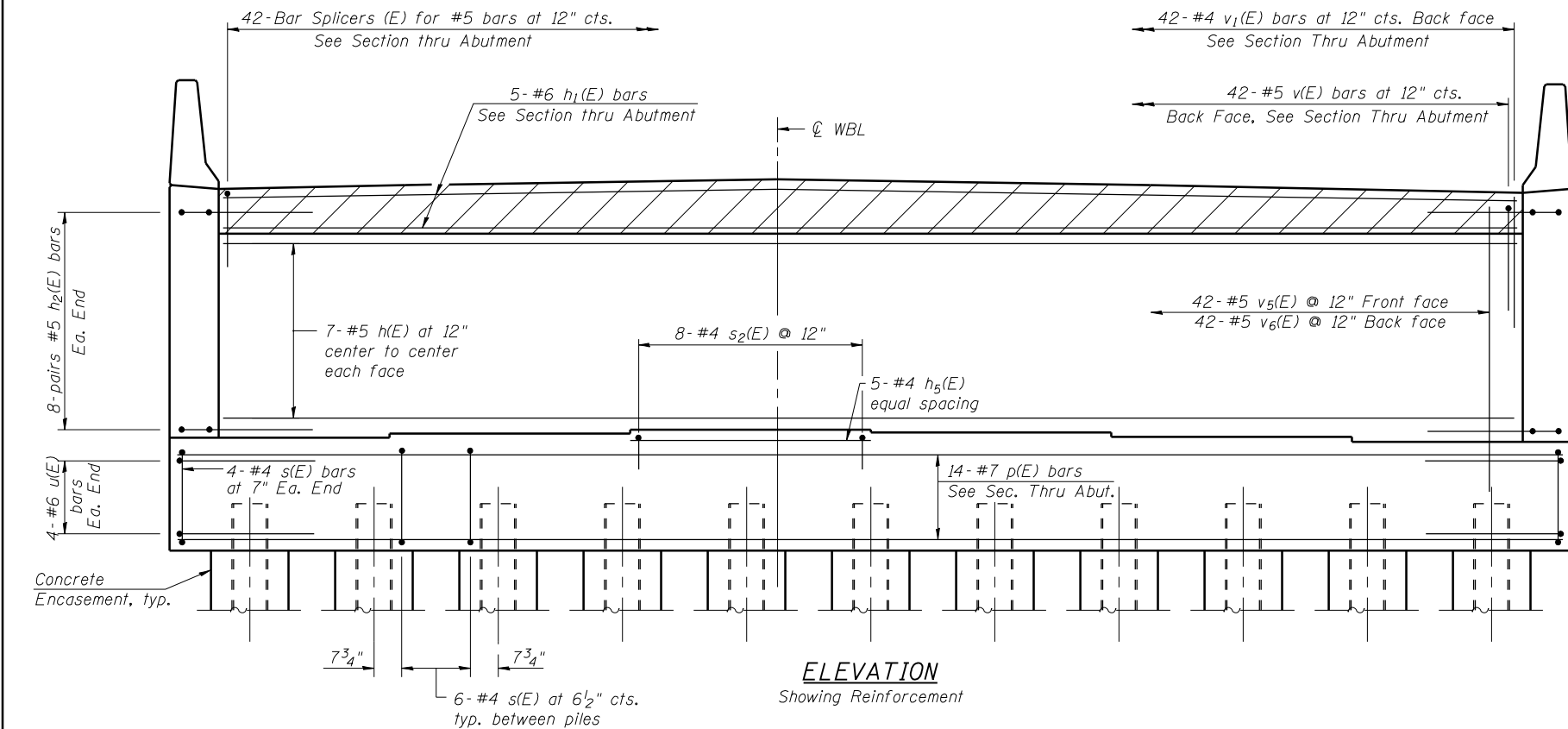


ELEVATION
Showing Dimensions *Prior to grinding



SECTION THRU ABUTMENT



ELEVATION
Showing Reinforcement



USER NAME = has	DESIGNED - RDP	10/13	REVISED -
ESCA PROJECT NO. 1070.09	CHECKED - ELH	10/13	REVISED -
	DRAWN - DWH	10/13	REVISED -
PLOT DATE = 1/28/2014 2:08:54 PM	CHECKED - RDP	10/13	REVISED -

STATE OF ILLINOIS
DEPARTMENT OF TRANSPORTATION

WEST ABUTMENT - WB
STRUCTURE NO. 026-0106

SHEET NO. 74 OF 113 SHEETS

F.A.I. RTE.	SECTION	COUNTY	TOTAL SHEETS	SHEET NO.
70	(26-3B-1, 3B-1(3))BR	FAYETTE	277	154
CONTRACT NO. 74175				

ILLINOIS FED. AID PROJECT