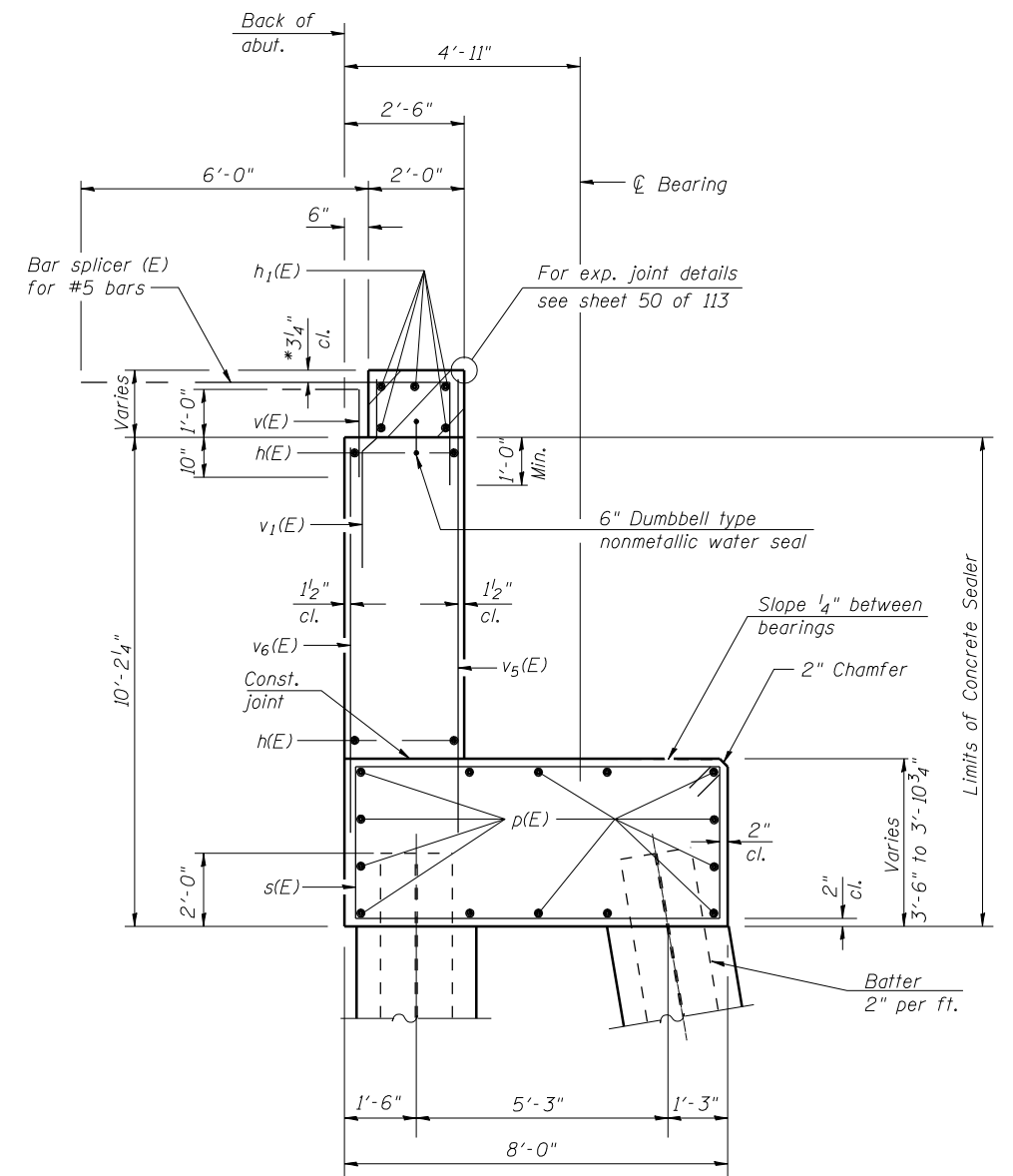
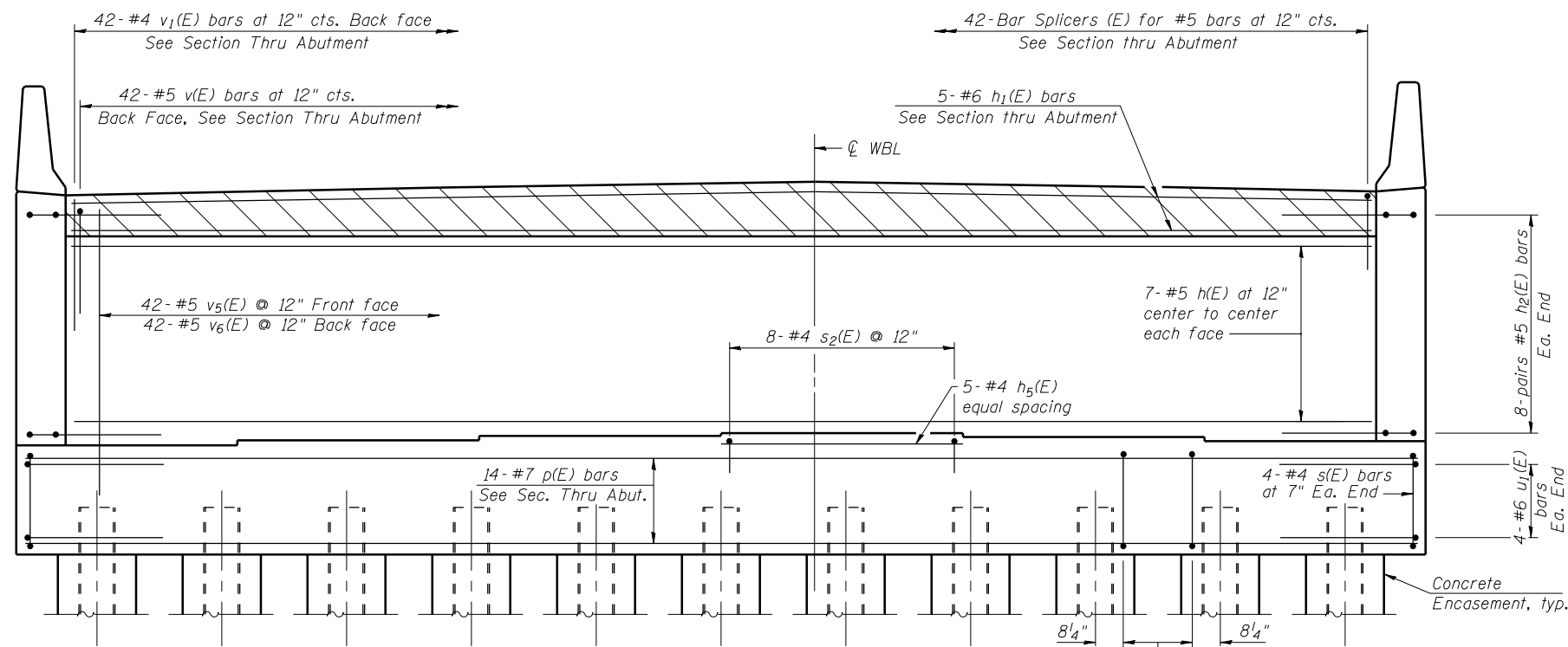


ELEVATION
Showing Dimensions

*Prior to grinding



SECTION THRU ABUTMENT



ELEVATION
Showing Reinforcement

7-#4 s(E) at 5 1/4" cts.
typ. between piles



USER NAME = has	DESIGNED - RDP	10/13	REVISED -
ESCA PROJECT NO. 1070.09	CHECKED - ELH	10/13	REVISED -
	DRAWN - DWH	10/13	REVISED -
PLOT DATE = 1/28/2014 2:10:52 PM	CHECKED - RDP	10/13	REVISED -

STATE OF ILLINOIS
DEPARTMENT OF TRANSPORTATION

EAST ABUTMENT - WB
STRUCTURE NO. 026-0106

SHEET NO. 77 OF 113 SHEETS

F.A. I. RTE.	SECTION	COUNTY	TOTAL SHEETS	SHEET NO.
70	(26-3B-1, 3B-1(3))BR	FAYETTE	277	157
CONTRACT NO. 74175				

ILLINOIS FED. AID PROJECT