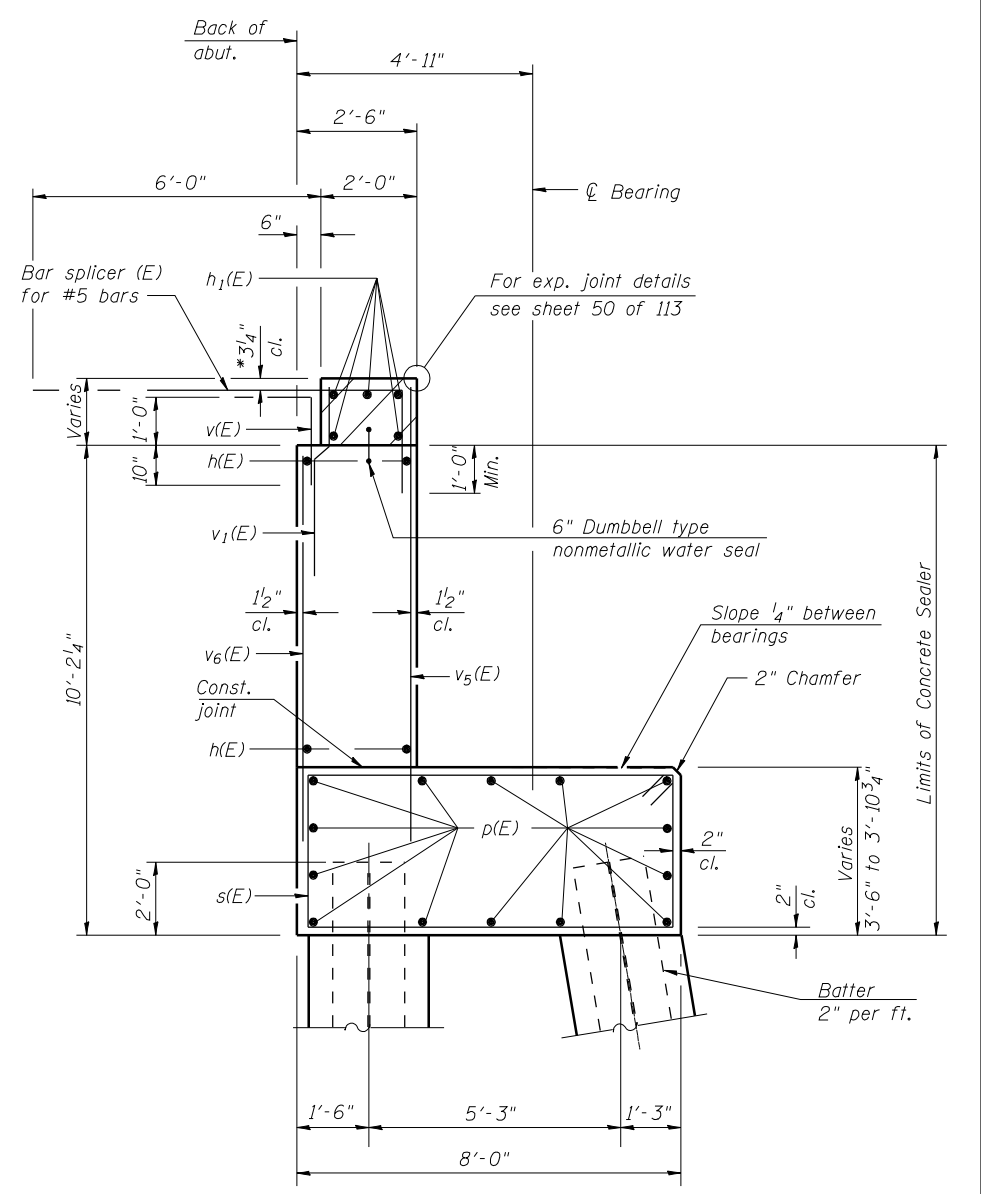
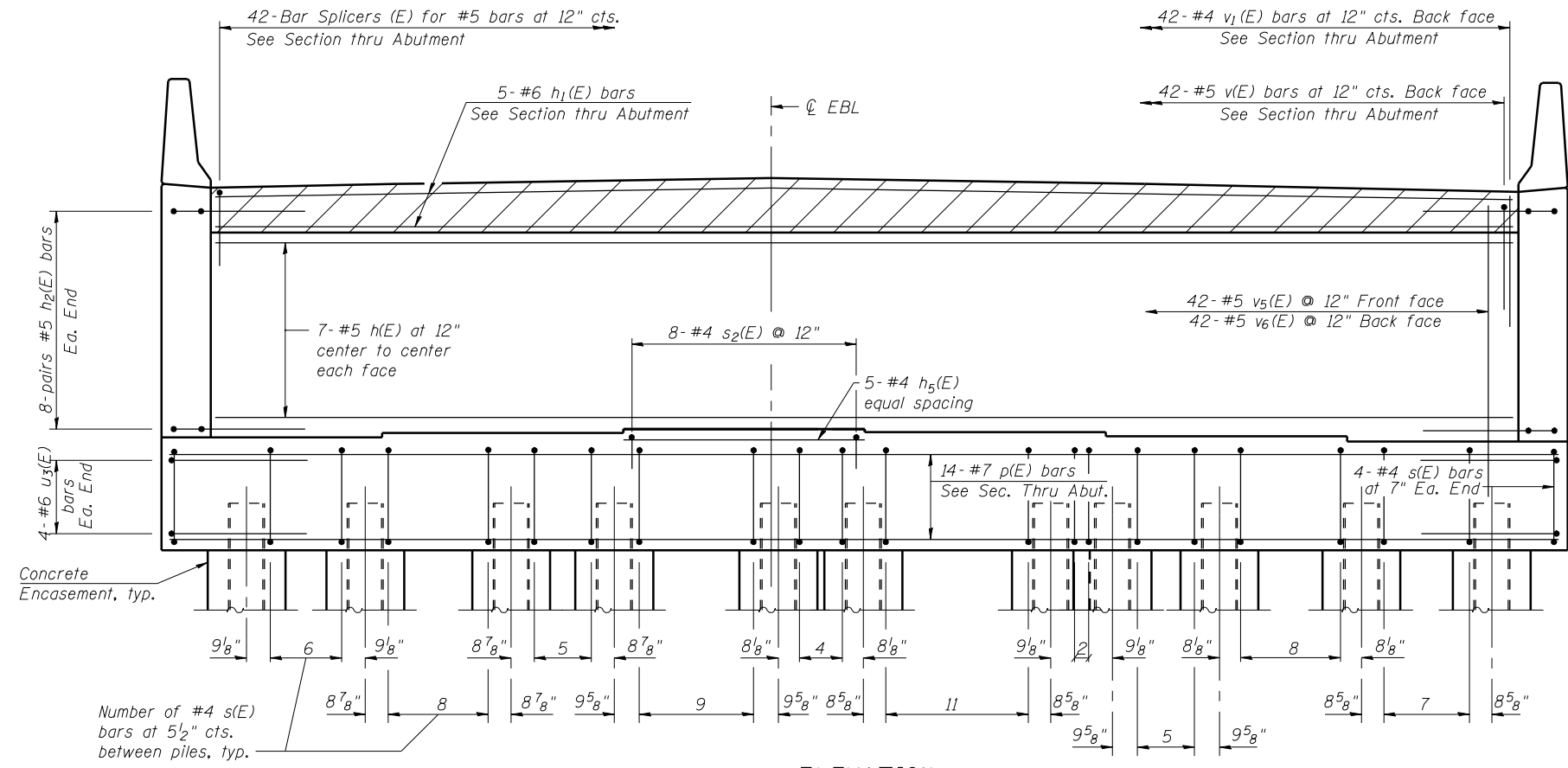


ELEVATION
Showing Dimensions
*Prior to grinding



SECTION THRU ABUTMENT
(Horizontal dim. at right angles)



ELEVATION
Showing Reinforcement



USER NAME = has	DESIGNED - RDP	10/13	REVISED -
ESCA PROJECT NO. 1070.09	CHECKED - ELH	10/13	REVISED -
	DRAWN - DWH	10/13	REVISED -
PLOT DATE = 1/28/2014 2:15:29 PM	CHECKED - RDP	11/13	REVISED -

STATE OF ILLINOIS
DEPARTMENT OF TRANSPORTATION

EAST ABUTMENT - EB
STRUCTURE NO. 026-0107

SHEET NO. 83 OF 113 SHEETS

F.A. I. RTE.	SECTION	COUNTY	TOTAL SHEETS	SHEET NO.
70	(26-3B-1, 3B-1(3))BR	FAYETTE	277	163
CONTRACT NO. 74175			ILLINOIS FED. AID PROJECT	